

# King Electrical Manufacturing Company

# TEST REPORT

**Model:**

KRF-PIR-SENSOR

**REPORT NUMBER**

240800017THC-001

**ISSUE DATE**

Oct. 24, 2024

**PAGES**

17

**DOCUMENT CONTROL NUMBER**

GFT-OP-10h (28-Nov-2018)

© 2020 Intertek



# Radio Spectrum TEST REPORT

<b>Applicant:</b>	<b>King Electrical Manufacturing Company 9131 10th Avenue South Seattle,WA 98108 USA</b>
<b>Product:</b>	<b>PIR SENSOR</b>
<b>Model No.:</b>	<b>KRF-PIR-SENSOR</b>
<b>FCC ID:</b>	<b>2BH5BKRF-PIR-SENSOR</b>
<b>Test Method/ Standard:</b>	<b>47 CFR FCC Part 15.249 &amp; ANSI C63.10 2013</b>
<b>Test By:</b>	<b>Intertek Testing Services Taiwan Ltd., Hsinchu Laboratory No. 17, Ln. 246, Niupu S. Rd., Xiangshan Dist, Hsinchu City 300075, Taiwan</b>



*Rich Nien*

Rich Nien  
Engineer

*Zero chen*

Zero Chen  
Reviewer

This report is for the exclusive use of Intertek's Client and is provided pursuant to the agreement between Intertek and its Client. Intertek's responsibility and liability are limited to the terms and conditions of the agreement. Intertek assumes no liability to any party, other than to the Client in accordance with the agreement, for any loss, expense or damage occasioned by the use of this report. Only the Client is authorized to permit copying or distribution of this report and then only in its entirety. Any use of the Intertek name or one of its marks for the sale or advertisement of the tested material, product or service must first be approved in writing by Intertek. The observations and test results in this report are relevant only to the sample tested. This report by itself does not imply that the material, product, or service is or has ever been under an Intertek certification program.

### Revision History

Report No.	Issue Date	Revision Summary
240800017THC-001	Oct. 24, 2024	Original report

## Table of Contents

Summary of Tests .....	4
1. General Information .....	5
1.1 Identification of the EUT .....	5
1.2 Antenna description .....	5
2. Test specifications.....	6
2.1 Test standard .....	6
2.2 Operation mode .....	6
2.3 Peripherals equipment .....	6
3. Radiated emission test FCC 15.249 (C).....	7
3.1 Test setup & procedure .....	7
3.2 Emission limit .....	9
3.2.1 Fundamental and harmonics emission limits .....	9
3.2.2 General radiated emission limits.....	10
3.3 Radiated spurious emission test data .....	11
3.3.1 Measurement results: frequency range from 9 kHz to 30 MHz.....	11
3.3.2 Measurement results: frequencies equal to or less than 1 GHz.....	12
3.3.3 Measurement results: frequency above 1GHz.....	13
3.3.4 Measurement results: Fundamental.....	14
4. Conducted emission test FCC 15.207 .....	15
Appendix A: Test equipment list.....	16
Appendix B: Measurement Uncertainty.....	17

**Summary of Tests**

Test	Reference	Results
Radiated Emission test	15.249(c), 15.209	Pass
Conducted Emission of AC Power	15.207	N/A
Antenna Requirement	15.203	Pass

Note: Please note that the test results with statement of conformity, the decision rules which are based on: Safety Testing: the specification, standard or IEC Guide 115.

Other Testing: the specification, standard and not taking into account the measurement uncertainty.

**1. General Information****1.1 Identification of the EUT**

<b>Product:</b>	PIR SENSOR
<b>Model No.:</b>	KRF-PIR-SENSOR
<b>Operating Frequency:</b>	915.055 MHz
<b>Channel Number:</b>	Single channel
<b>Rating:</b>	DC 3V
<b>Power Cord:</b>	N/A
<b>Sample receiving date:</b>	2024/10/09
<b>Sample condition:</b>	Workable
<b>Test Date(s):</b>	2024/10/17 ~ 2024/10/22

**1.2 Antenna description**

Antenna Type: Special shaped Antenna  
Connector Type: Fixed  
Antenna Gain: 2.5 dB ± 2dB

## 2. Test specifications

### 2.1 Test standard

The EUT was performed according to the procedures in FCC Part 15 Subpart C Paragraph 15.249 for non-spread spectrum devices.

The test of radiated measurements according to FCC Part15 Section 15.33(a) had been conducted and the field strength of this frequency band were all meet limit requirement, thus we evaluate the EUT pass the specified test.

### 2.2 Operation mode

Power on the EUT and it will transmit continuously.

Mode	Frequency (MHz)	Signal on time (ms)	Signal on & off time (ms)	Duty cycle	Duty Cycle factor
FSK	915.055	10	100	10.00%	20.00

The signal is maximized through rotation and placement in the three orthogonal axes.



**X axis**



**Y axis**



**Z axis**

After verifying three axes, we found the maximum electromagnetic field was occurred at X axis. The final test data was executed under this configuration.

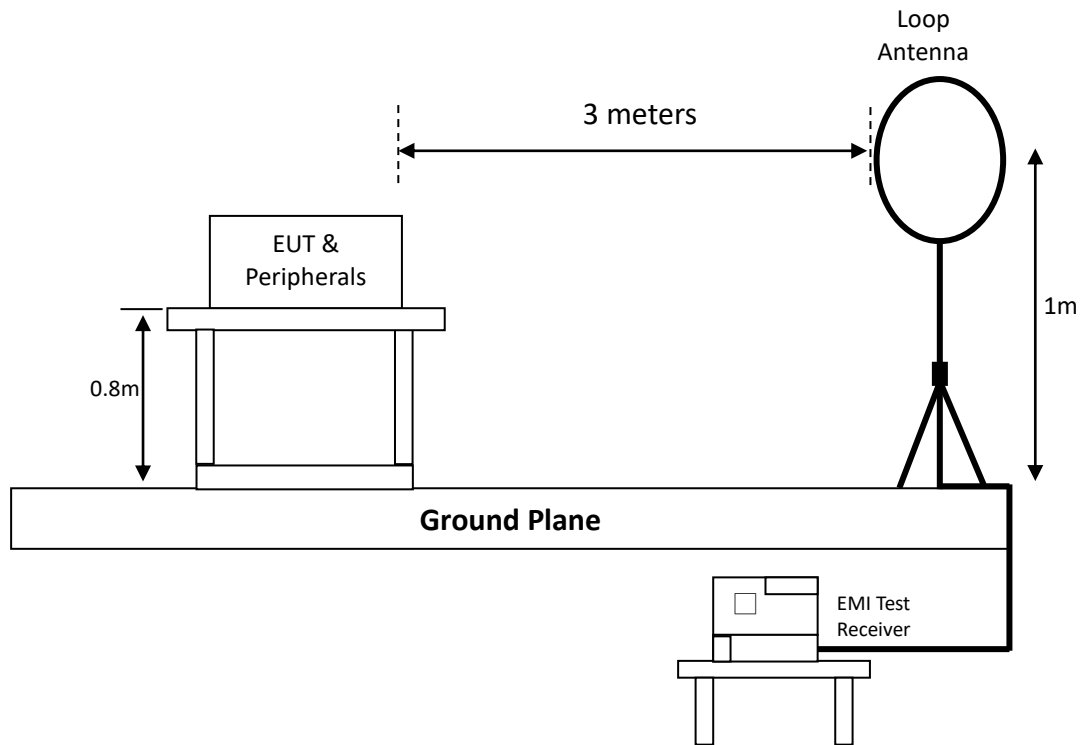
### 2.3 Peripherals equipment

Peripherals	Brand	Model No.	Serial No.	Description of Data Cable
Battery*2	Panasonic	ALKALINE	N/A	N/A

**3. Radiated emission test FCC 15.249 (C)**

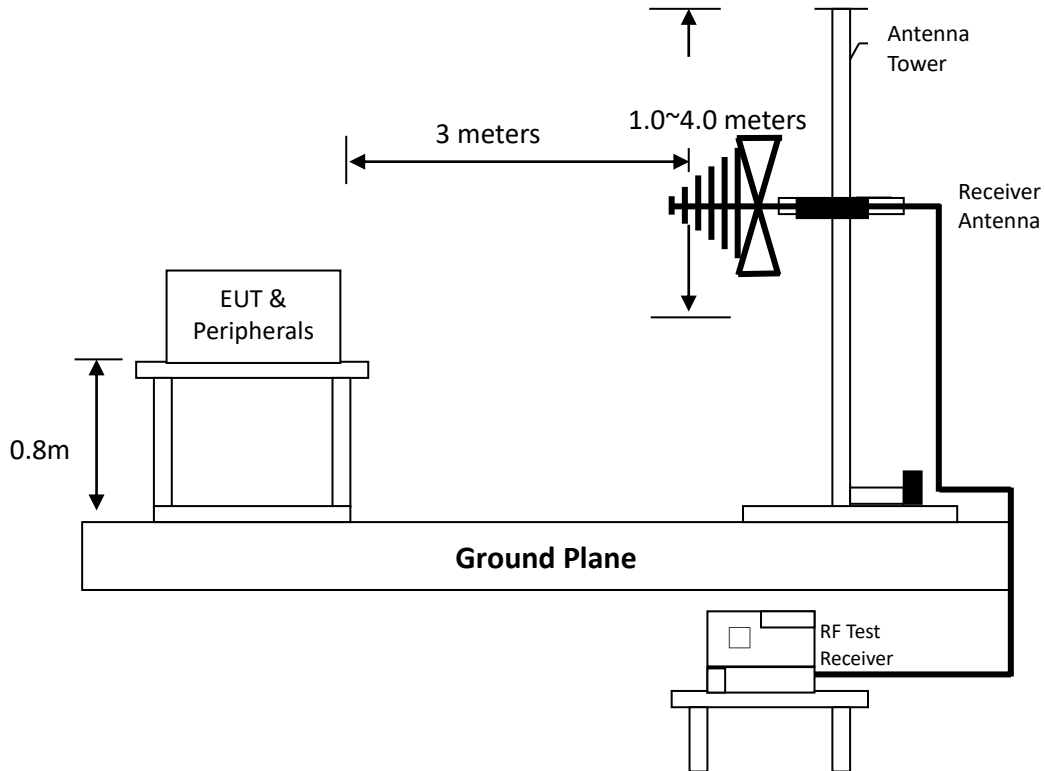
**3.1 Test setup & procedure**

**Radiated emission from 9kHz to 30MHz uses Loop Antenna:**

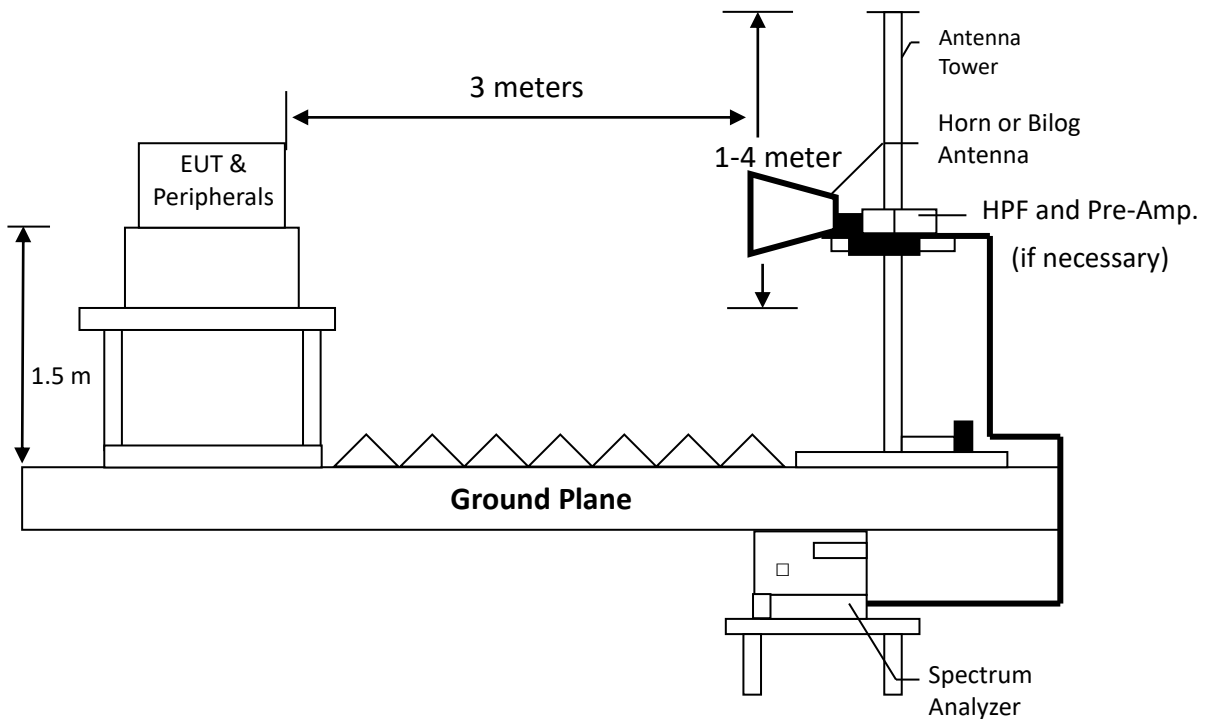




**Radiated emission below 1GHz using Bilog Antenna**



**Radiated emission above 1GHz using Horn Antenna**



**TEST REPORT**

Radiated emissions were investigated cover the frequency range from 30MHz to 1000MHz using a receiver RBW of 120kHz record QP reading, and the frequency over 1GHz using a spectrum analyzer RBW of 1MHz and 10Hz VBW record Average reading. (15.209 paragraph), the Peak reading (1 MHz RBW/ 3 MHz VBW) recorded also on the report.

The EUT for testing is arranged on a turntable. If some peripherals apply to the EUT, the peripherals will be connected to EUT and the whole system. During the test, all cables were arranged to produce worst-case emissions. The signal is maximized through rotation. The height of antenna and polarization is changing constantly for exploring for maximum signal level. The height of antenna can be up to 4 meters and down to 1 meter.

The measurement for radiated emission will be done at the distance of three meters unless the signal level is too low to measure at that distance. In the case of the reading under noise floor, a pre-amplifier is used and/or the test is conducted at a closer distance. And then all readings are extrapolated back to the equivalent three meter reading using inverse scaling with distance.

**3.2 Emission limit****3.2.1 Fundamental and harmonics emission limits**

Frequency (MHz)	Field Strength of Fundamental		Field Strength of Harmonics	
	(mV/m@3m)	(dBuV/m@3m)	(uV/m@3m)	(dBuV/m@3m)
902-928	50	94	500	54

**3.2.2 General radiated emission limits**

Emissions radiated outside of the specified frequency bands, except for harmonics, shall be attenuated by at least 50dB below the level of the fundamental or to the general radiated emission limits in paragraph 15.209, whichever is the lesser attenuation.

<b>Frequency MHz</b>	<b>15.209 Limits (dB<math>\mu</math>V/m@3m)</b>
30-88	40
88-216	43.5
216-960	46
Above 960	54

## Remark:

1. In the above table, the tighter limit applies at the band edges.
2. Distance refers to the distance in meters between the measuring instrument antenna and the closed point of any part of the device or system

**TEST REPORT**

**3.3 Radiated spurious emission test data**

**3.3.1 Measurement results: frequency range from 9 kHz to 30 MHz**

Temperature (°C) :	25
Relative Humidity (%) :	74
Test date :	2024/10/17

Antenna Polarization	Frequency (MHz)	Detector	Correction Factor (dB/m)	Reading (dBµV)	Corrected Reading (dBµV/m)	Limit @ 3 m (dBµV/m)	Margin (dB)
Perpendicular	0.519	PK	17.92	19.22	37.14	73.30	-36.16
Perpendicular	1.329	PK	17.97	18.77	36.74	65.13	-28.39
Perpendicular	1.898	PK	17.91	16.94	34.85	69.54	-34.69
Perpendicular	5.557	PK	19.37	10.15	29.52	69.54	-40.02
Perpendicular	12.185	PK	20.28	9.73	30.01	69.54	-39.53
Perpendicular	18.783	PK	21.10	8.64	29.74	69.54	-39.80

Remark: Corr. Factor = Antenna Factor + Cable Loss

Antenna Polarization	Frequency (MHz)	Detector	Correction Factor (dB/m)	Reading (dBµV)	Corrected Reading (dBµV/m)	Limit @ 3 m (dBµV/m)	Margin (dB)
Parallel	0.519	PK	17.92	19.36	37.28	73.30	-36.02
Parallel	1.389	PK	17.96	18.45	36.41	64.75	-28.34
Parallel	1.928	PK	17.91	16.62	34.53	69.54	-35.01
Parallel	4.898	PK	18.67	10.44	29.11	69.54	-40.43
Parallel	7.327	PK	19.82	9.49	29.31	69.54	-40.23
Parallel	14.855	PK	20.13	10.31	30.44	69.54	-39.10

Remark: Corr. Factor = Antenna Factor + Cable Loss

Antenna Polarization	Frequency (MHz)	Detector	Correction Factor (dB/m)	Reading (dBµV)	Corrected Reading (dBµV/m)	Limit @ 3 m (dBµV/m)	Margin (dB)
Ground-parallel	0.519	PK	17.92	20.13	38.05	73.30	-35.25
Ground-parallel	1.389	PK	17.96	18.07	36.03	64.75	-28.72
Ground-parallel	1.868	PK	17.91	15.29	33.20	69.54	-36.34
Ground-parallel	5.107	PK	18.83	10.39	29.22	69.54	-40.32
Ground-parallel	9.066	PK	19.70	10.24	29.94	69.54	-39.60
Ground-parallel	10.806	PK	20.15	9.51	29.66	69.54	-39.88

Remark: Corr. Factor = Antenna Factor + Cable Loss

**TEST REPORT**

**3.3.2 Measurement results: frequencies equal to or less than 1 GHz**

Temperature (°C) :	25
Relative Humidity (%) :	74
Test date :	2024/10/17

Antenna Polarized	Frequency (MHz)	Spectrum Analyzer Detector	Correction Factor (dB/m)	Reading (dBμV)	Corrected Reading (dBμV/m)	Limit @ 3 m (dBμV/m)	Margin (dB)
Horizontal	48.43	PK	20.64	2.98	23.62	40.00	-16.38
Horizontal	168.71	PK	20.20	3.17	23.37	43.50	-20.13
Horizontal	470.38	PK	25.99	4.63	30.62	46.00	-15.38
Horizontal	729.37	PK	30.82	8.84	39.66	46.00	-6.34
Horizontal	804.06	PK	32.02	4.07	36.09	46.00	-9.91
Horizontal	857.41	PK	32.69	3.80	36.49	46.00	-9.51

Remark: Corr. Factor = Antenna Factor + Cable Loss

Antenna Polarized	Frequency (MHz)	Spectrum Analyzer Detector	Correction Factor (dB/m)	Reading (dBμV)	Corrected Reading (dBμV/m)	Limit @ 3 m (dBμV/m)	Margin (dB)
Vertical	72.68	PK	17.94	9.24	27.18	40.00	-12.82
Vertical	498.51	PK	26.52	3.89	30.41	46.00	-15.59
Vertical	626.55	PK	29.48	3.53	33.01	46.00	-12.99
Vertical	691.54	PK	30.26	3.45	33.71	46.00	-12.29
Vertical	764.29	PK	31.82	4.56	36.38	46.00	-9.62
Vertical	868.08	PK	32.76	3.72	36.48	46.00	-9.52

Remark: Corr. Factor = Antenna Factor + Cable Loss

**TEST REPORT**

**3.3.3 Measurement results: frequency above 1GHz**

Temperature (°C) :	25
Relative Humidity (%) :	74
Test date :	2024/10/17

Mode	Frequency (MHz)	Spectrum Analyzer Detector	Ant. Pol. (H/V)	Correction Factor (dB/m)	Reading (dBμV)	Corrected Reading (dBμV/m)	Limit @ 3 m (dBμV/m)	Margin (dB)
TX	1830.11	PK	H	-19.67	92.95	73.28	74.00	-0.72
	1830.11	AV	H	---	---	53.28	54.00	-0.72
	2745.16	PK	H	-15.33	71.55	56.22	74.00	-17.78
	2745.16	AV	H	---	---	36.22	54.00	-17.78
	3660.22	PK	H	-12.86	62.19	49.33	74.00	-24.67
	4575.27	PK	H	-8.81	59.83	51.02	74.00	-22.98
	5490.33	PK	H	-5.78	50.30	44.52	74.00	-29.48
	1830.11	PK	V	-19.67	83.31	63.64	74.00	-10.36
	1830.11	AV	V	---	---	43.64	54.00	-10.36
	2745.16	PK	V	-15.33	58.68	43.35	74.00	-30.65
	3660.22	PK	V	-12.86	64.55	51.69	74.00	-22.31
	4575.27	PK	V	-8.81	54.64	45.83	74.00	-28.17
	5490.33	PK	V	-5.78	53.21	47.43	74.00	-26.57

Remark: 1. Correction Factor = Antenna Factor + Cable Loss - Pre\_Amplifier Gain  
 2. AV Corrected Reading = PK Corrected Reading + Duty cycle correction factor (-20.00)

**TEST REPORT**

**3.3.4 Measurement results: Fundamental**

Temperature (°C) :	25
Relative Humidity (%) :	74
Test date :	2024/10/17

Frequency (MHz)	Spectrum Analyzer Detector	Ant. Pol. (H/V)	Correction Factor (dB/m)	Reading (dBμV)	Corrected Reading (dBμV/m)	Limit @ 3 m (dBμV/m)	Margin (dB)
915.055	PK	H	33.68	62.84	96.52	114.00	-17.48
	AV	H	---	---	76.52	94.00	-17.48
	PK	V	33.68	52.07	85.75	114.00	-28.25
	AV	V	---	---	65.75	94.00	-28.25

Remark: 1. Correction Factor = Antenna Factor + Cable Loss

2. AV Corrected Reading = PK Corrected Reading + Duty cycle correction factor (-20.00)

#### **4. Conducted emission test FCC 15.207**

Since the EUT is not connected to AC source, therefore, the test can be waived.



### Appendix A: Test equipment list

Test Equipment	Brand	Model No.	Serial No.	Calibration Date	Next Calibration Date
EMI Test Receiver	KEYSIGHT	N9038B	MY63060107	2024/03/06	2025/03/05
Spectrum analyzer	KEYSIGHT	N9020B	MY63450146	2024/03/05	2025/03/04
Signal Analyzer	R&S	FSV40	101532	2024/07/12	2025/07/11
Active Loop Antenna	SCHWARZBECK	FMZB1519	1519-067	2024/01/16	2025/01/15
Broadband Antenna	SCHWARZBECK	VULB 9168	9168-172	2024/01/02	2025/01/01
Horn Antenna	SCHWARZBECK	BBHA 9120 D	9120D-456	2023/12/27	2024/12/26
Pre-Amplifier	SGH	SGH118(45dB)	20220105-1	2024/01/23	2025/01/22
Cable	SUHNER	SUCOFLEX 104	295105/4	2024/03/02	2025/03/02
Cable	SUHNER	SUCOFLEX 104P	CB0005	2024/06/14	2025/06/13
RF Cable	SUHNER	SUCOFLEX 104P	9403 / 4P	2023/11/24	2024/11/23
Power Meter	Anritsu	ML2495A	0844001	2024/01/08	2025/01/07
Power Sensor	Anritsu	MA2491A	031543	2024/01/08	2025/01/07
20dB Attenuator	PE	PE7001-20	N/A	2024/05/23	2025/05/22
966-2_3m Semi-Anechoic Chamber	CHANCE MOST	CEM-966_2	N/A	2024/07/30	2025/07/29
Test software	Audix	e3	V9	NCR	NCR

Note: No Calibration Required (NCR).

## Appendix B: Measurement Uncertainty

This uncertainty represents an expanded uncertainty expressed at approximately the 95% confidence level using a coverage factor of  $k=2.0$ .

Item	Uncertainty
Radiated disturbances from 9kHz~30MHz in a semi-anechoic chamber at a distance of 3m	2.73 dB
Vertically polarized radiated disturbances from 30MHz~1GHz in a semi-anechoic chamber at a distance of 3m	3.91 dB
Horizontally polarized radiated disturbances from 30MHz~1GHz in a semi-anechoic chamber at a distance of 3m	3.49 dB
Vertically polarized Radiated disturbances from 1GHz~18GHz in a semi-anechoic chamber at a distance of 3m	3.71 dB
Horizontally polarized Radiated disturbances from 1GHz~18GHz in a semi-anechoic chamber at a distance of 3m	3.71 dB
Conducted Measurement	0.69 dB
AC Power Line Conducted Emission	1.31 dB