



**中认信通**

CHINA CERTIFICATION ICT CO., LTD (DONGGUAN)

## ANTENNA TEST REPORT

**Manufacture:** Xiamen Renhe Sports Equipment Co.,Ltd

Address: 4/F, 1129 Jicheng Road, Industrial Concentration Zone, Tong'an District, Xiamen, Fujian, China

**Product Name:** Planar Inverted-F Antenna

**Product Model:** RF01

**Report Number:** 2403W59287E-RF

**Date Of Issue:** 2024/8/19

**Reviewed & Approved By:** Sun Zhong

*Sun Zhong*

Title: Manager

**Test Laboratory:** China Certification ICT Co., Ltd (Dongguan)  
No. 113, Pingkang Road, Dalang Town, Dongguan,  
Guangdong, China

Tel: +86-769-82016888

**Test Facility**

The Test site used by China Certification ICT Co., Ltd (Dongguan) to collect test data is located on the No. 113, Pingkang Road, Dalang Town, Dongguan, Guangdong, China.

**Declarations**

China Certification ICT Co., Ltd (Dongguan) is not responsible for the authenticity of any test data provided by the applicant. Data included from the applicant that may affect test results are marked with a triangle symbol “▲”. Customer model name, addresses, names, trademarks etc. are not considered data.

Unless otherwise stated the results shown in this test report refer only to the sample(s) tested.

This report cannot be reproduced except in full, without prior written approval of the Company.

This report is valid only with a valid digital signature. The digital signature may be available only under the Adobe software above version 7.0.

This report may contain data that are not covered by the accreditation scope and shall be marked with an asterisk “★”.

## CONTENTS

<b>DOCUMENT REVISION HISTORY .....</b>	<b>4</b>
<b>1. GENERAL INFORMATION .....</b>	<b>5</b>
<b>2. TEST CONFIGURATIONS .....</b>	<b>6</b>
2.1 TEST ENVIRONMENT .....	6
2.2 TEST EQUIPMENT .....	6
<b>3. TEST RESULTS .....</b>	<b>7</b>
3.1 GAIN AND EFFICIENCY.....	7
3.2 RADIATION PATTERN.....	8
<b>4. EUT PHOTOGRAPHS .....</b>	<b>11</b>
<b>5. TEST SETUP PHOTOGRAPHS .....</b>	<b>12</b>

**DOCUMENT REVISION HISTORY**

---

Revision Number	Report Number	Description of Revision	Date of Revision
1.0	2403W59287E-RF	Original Report	2024/8/19

## 1. GENERAL INFORMATION

---

<b>Product Name:</b>	Planar Inverted-F Antenna
<b>Product Model:</b>	RF01
<b>Antenna Type:</b>	PCB
<b>Test Items:</b>	Gain; Efficiency; Radiation Pattern
<b>Test Frequency (MHz):</b>	2400/2450/2500
<b>Serial Number:</b>	2Q27-1
<b>EUT Received Date:</b>	2024/8/16
<b>EUT Received Status:</b>	Good

## 2. TEST CONFIGURATIONS

---

### 2.1 Test Environment

<b>Temperature (°C)</b>	25.0
<b>Humidity (%RH)</b>	68
<b>Atmospheric Pressure (kPa)</b>	100.8
<b>Tester</b>	Luke Yuan
<b>Test Date</b>	2024/8/19

### 2.2 Test Equipment

<b>Test Instrument</b>	R&S ZNB8
------------------------	----------

### 3. TEST RESULTS

---

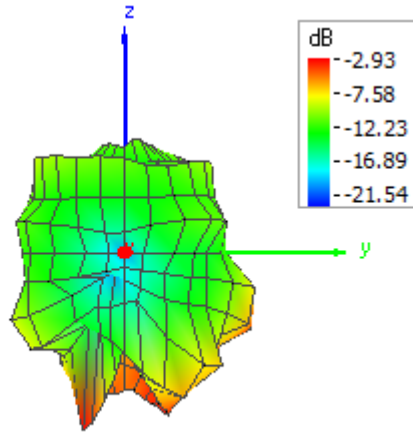
#### 3.1 Gain and Efficiency

Frequency (MHz)	Peak Gain (dBi)	Efficiency (%)
2400.00	-2.93	9.78
2450.00	-3.85	7.68
2500.00	-4.43	6.86

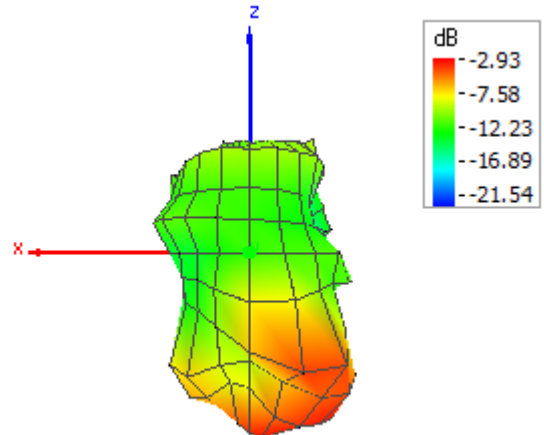
### 3.2 Radiation Pattern

## 2400 MHz 3D

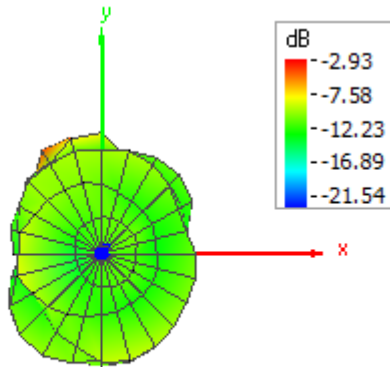
Theta = 90, Phi = 0



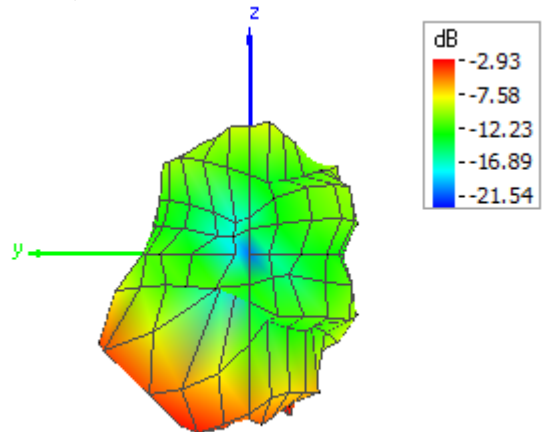
Theta = 90, Phi = 90



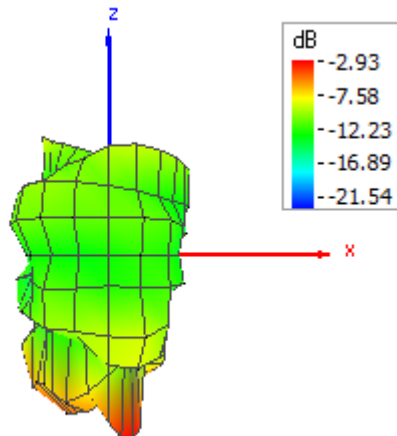
Theta = 0, Phi = 0



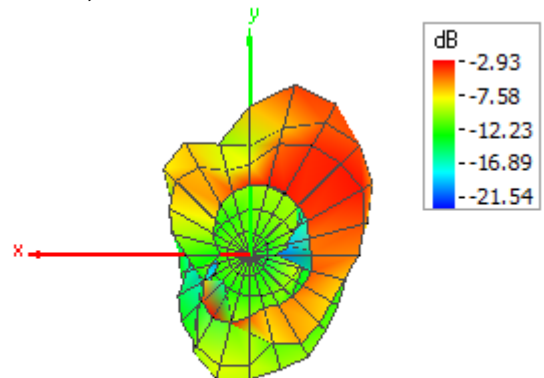
Theta = 90, Phi = 180



Theta = 90, Phi = 270



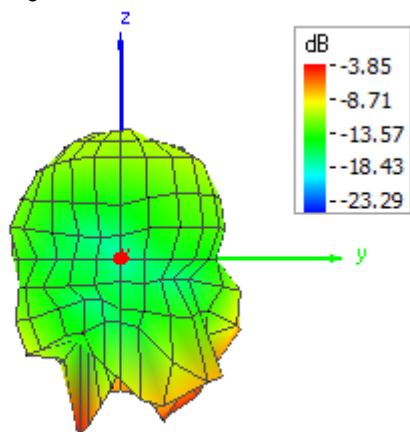
Theta = 180, Phi = 0



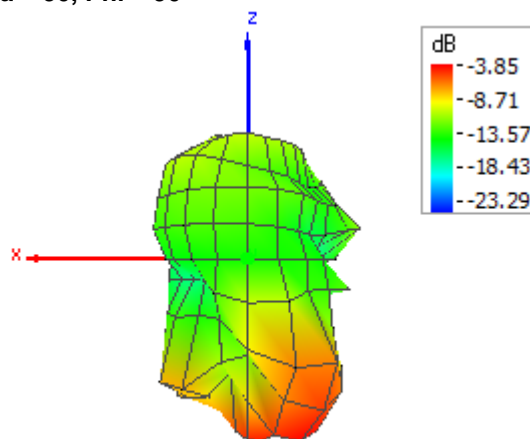


### 2450 MHz 3D

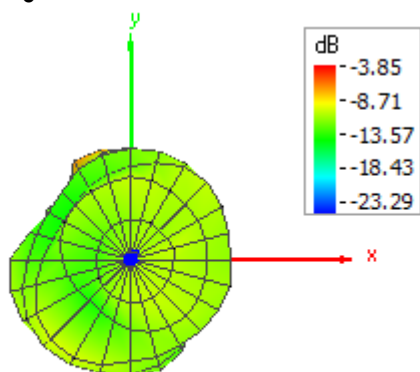
Theta = 90, Phi = 0



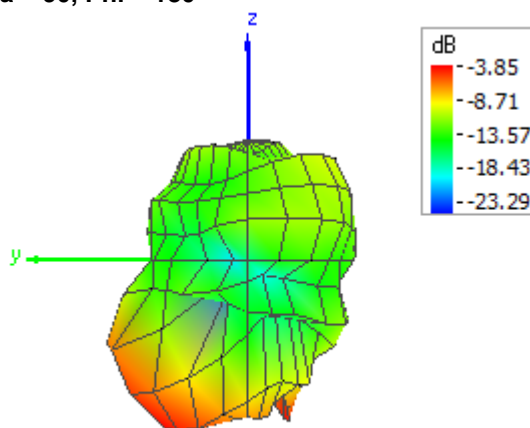
Theta = 90, Phi = 90



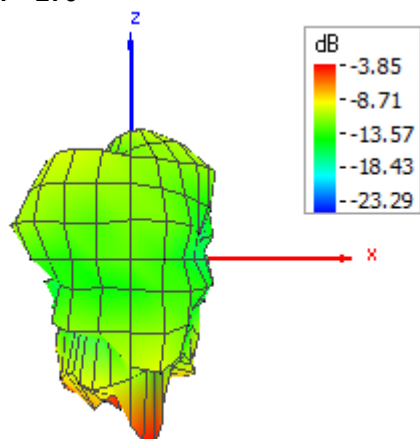
Theta = 0, Phi = 0



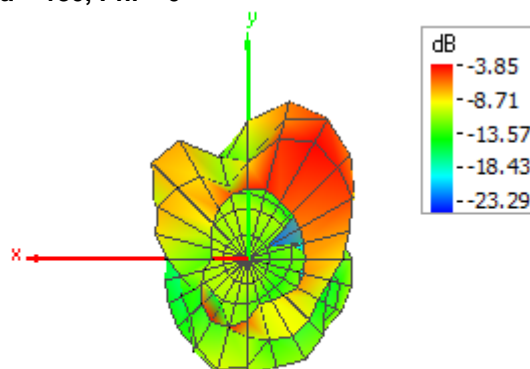
Theta = 90, Phi = 180



Theta = 90, Phi = 270

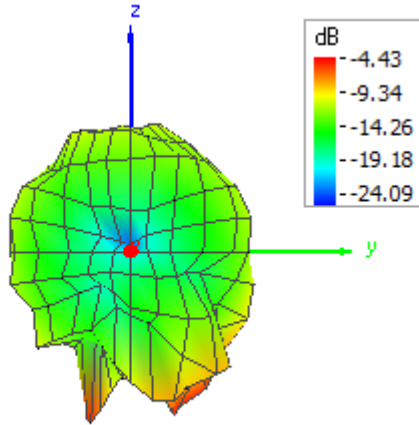


Theta = 180, Phi = 0

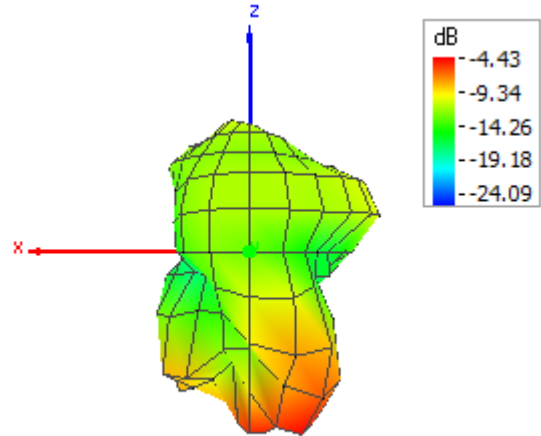


### 2500 MHz 3D

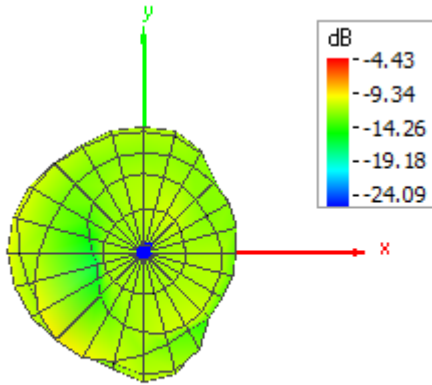
Theta = 90, Phi = 0



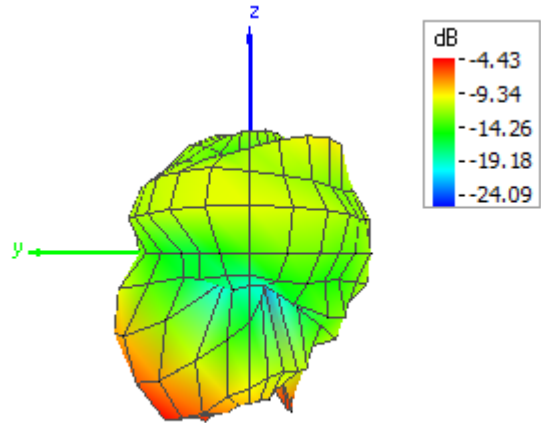
Theta = 90, Phi = 90



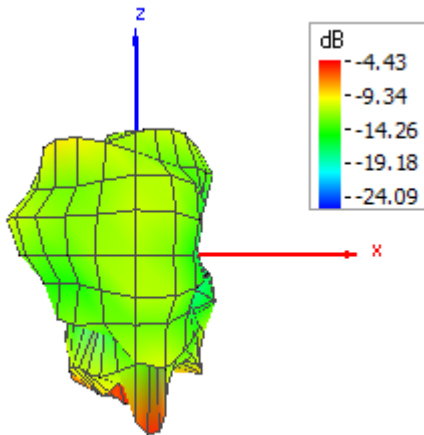
Theta = 0, Phi = 0



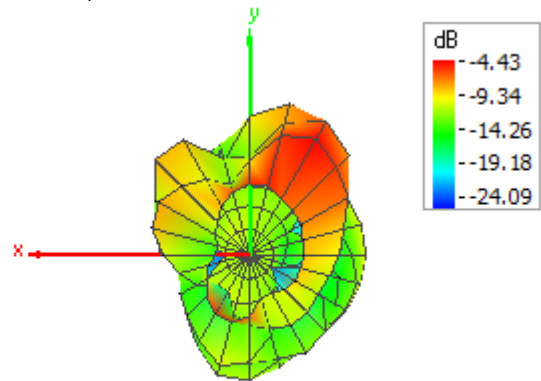
Theta = 90, Phi = 180



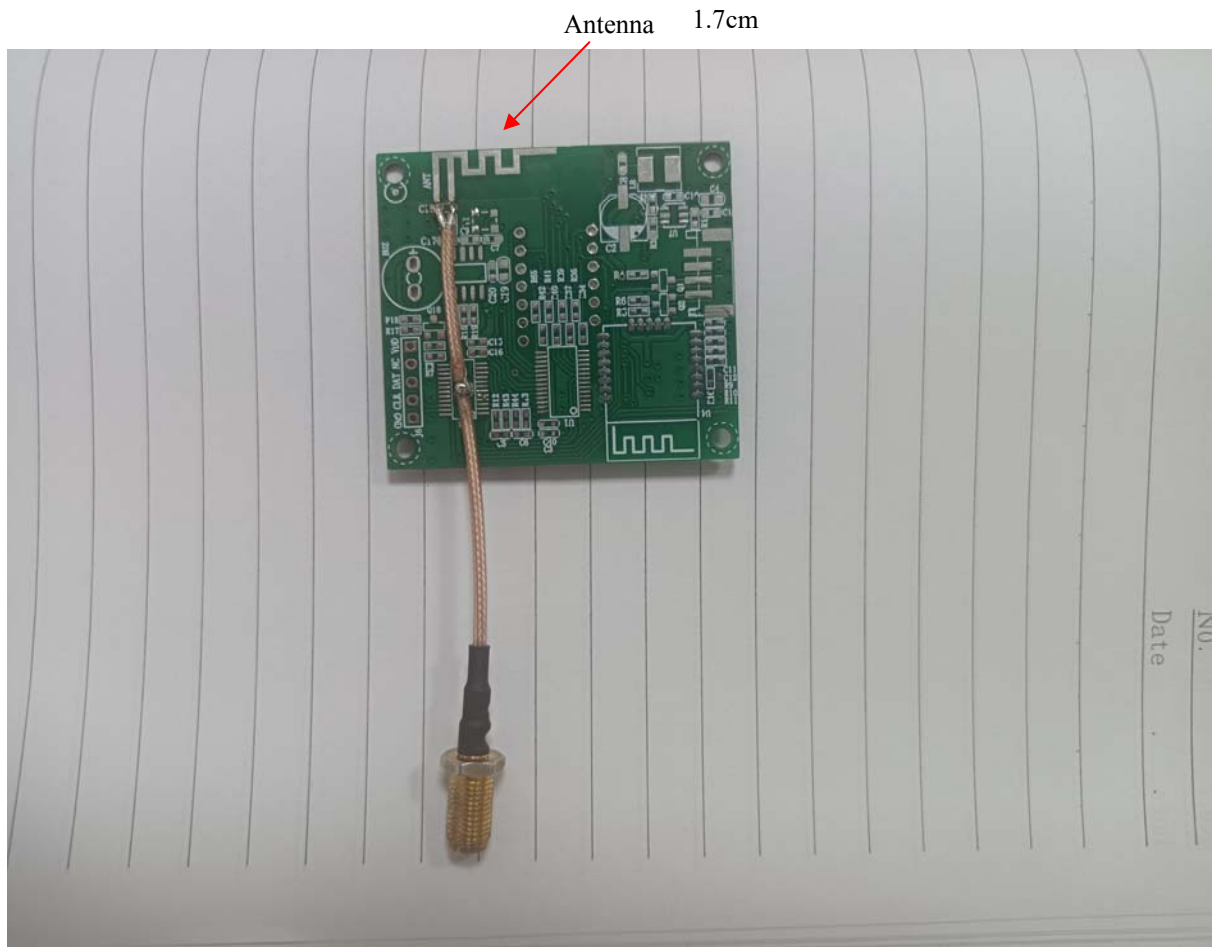
Theta = 90, Phi = 270



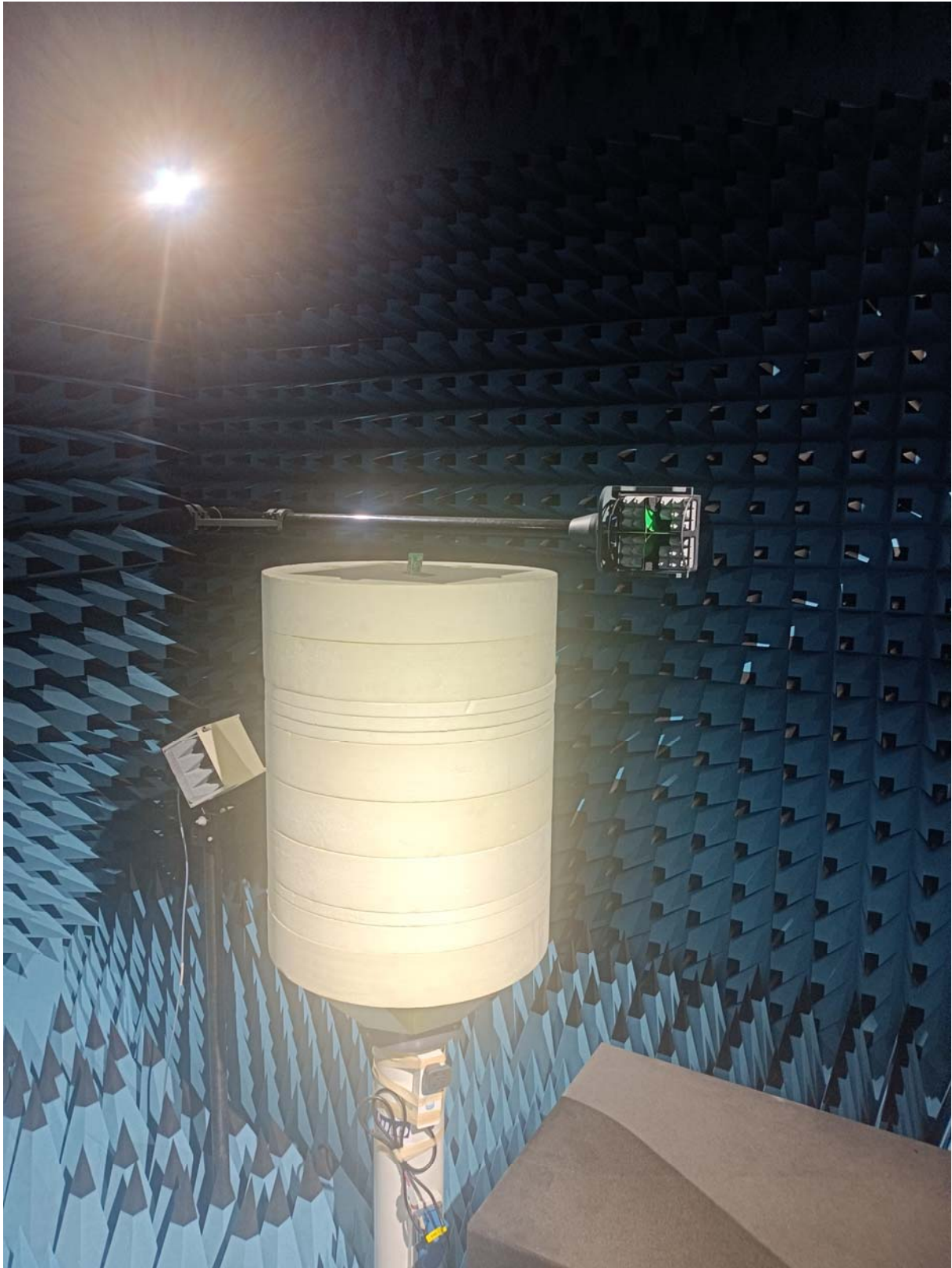
Theta = 180, Phi = 0



#### 4. EUT PHOTOGRAPHS



## 5. TEST SETUP PHOTOGRAPHS



==== END OF REPORT ====