

Ulanzi A100 无线领夹麦克风说明书

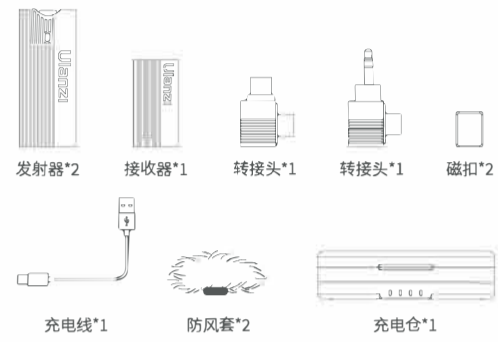
成品尺寸:75*150mm
材质:80g书纸,折叠

Ulanzi

产品概述

感谢您购买Ulanzi产品;
本产品为领夹式无线麦克风,可提供专业级别的录音输出。
即插即用,无需APP,多种用途:可实现网络直播、视频、Vlog拍摄、节目访谈、采访录音、视频教学等场合使用。

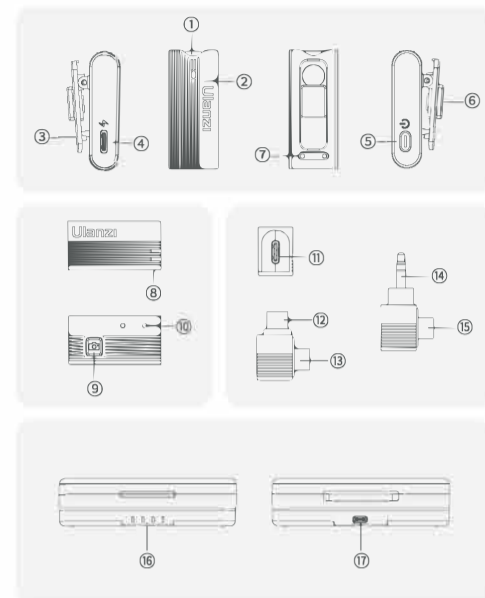
包装清单



注意事项

- 1.本产品为精密电子设备,应避免进水或重摔;如不慎进水,请关机并用干水分,及时交由专业技术人员处理。
- 2.长时间不使用时,应每三个月给电池仓充满一次电量,以保持电池的性能。
- 3.机内电池不得暴露在日照、火烤或类似过热环境中。
- 4.为了避免产生信号断点,尽量保持发射器和接收器面对面使用。

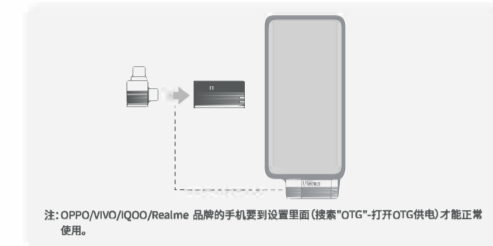
产品图示



- ① 麦克风
- ② 功能指示灯
- ③ 夹子
- ④ Type-C充电口
- ⑤ 开/关
- ⑥ 磁扣
- ⑦ 充电触点
- ⑧ 连接指示灯
- ⑨ 相机模式开关
- ⑩ 充电触点
- ⑪ 接收器转接口
- ⑫ 与手机通信接口
- ⑬ 与接收器通信接口
- ⑭ 音频转接头
- ⑮ 与接收器通信接口
- ⑯ 电量指示灯
- ⑰ Type-C充电口

在手机上使用

第一步:将接收器插入手机接口。



注:OPPO/VIVO/QOO/Realme 品牌的手机需要到设置里面(搜索"OTG")打开OTG供电功能才能正常使用。

第二步:长按3S开机键,绿色指示灯闪烁即开机成功。



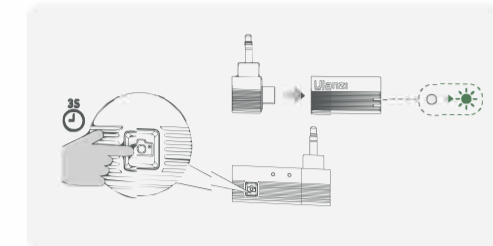
第三步:发射器与接收器的绿色指示灯常亮,手机打开相关直播视频APP即可使用麦克风收音。



CN

在相机上使用

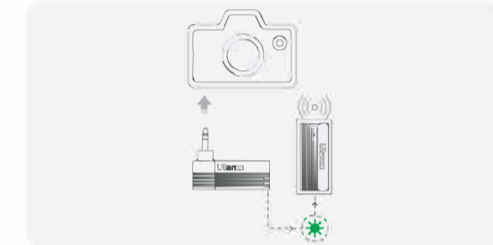
第一步:长按3秒按键开机,绿色指示灯闪烁即开机成功。



第二步:长按3S开机键,绿色指示灯闪烁即开机成功。



第三步:将接收器插入相机,发射器与接收器的绿色指示灯常亮时数码相机即可无线收音。



注:如收音过程中出现杂音或电流声可通过调整数码相机的录音电平参数来达到最佳的收音效果。

CN

产品参数

采样率	32kHz 16bit	声音延时	30ms
频率响应	20Hz-20kHz	信噪比	≥58dB
声道模式	单声道	MIC灵敏度	-38±2dB
传输距离	≥20m	MIC指向性	全指向性
传输方式	蓝牙5.3+EDR	MIC声压级	≥115 dB SPL
降噪	支持	输入电流	5V / 1A
电池	发射器:3.7V/70mAh/0.259Wh		
	接收器:3.7V/70mAh/0.259Wh		
	充电仓:3.7V/800mAh/2.96Wh		
使用时长	发射器:约5小时		
	接收器:约4小时		
	充电仓:同时给两个发射器充电>2次		
充电时长	发射器:约1.5小时		
	接收器:约1.5小时		
	充电仓:约1.5小时		

UI功能

发射器

功能/状态	按键操作	指示灯	
开机	长按3S按键	蓝绿灯闪烁	
关机	长按3S按键	所有灯灭	
未连接	/	蓝绿灯闪烁	
已连接	/	绿灯常亮	
降噪	单击按键切换,最大3级,依次循环,每次开机默认上次关机前的降噪级别	1级蓝灯常亮 2级蓝灯闪烁2次后常亮 3级蓝灯闪烁3次后常亮	
	静音	双击按键打开或关闭静音功能	绿灯闪烁
	充电	/	蓝灯常亮 充满灯灭
低电	/	蓝灯每10S闪烁1次	
复位	关机状态下长按10S按键	蓝绿灯闪烁	

CN

接收器

功能/状态	按键操作	指示灯
开机	插入手机/长按3S按键	绿灯闪烁
关机	长按3S按键	所有灯灭
未连接	/	绿灯闪烁
已连接	/	绿灯常亮
充电	/	红灯常亮 充满灯灭
低电	/	红灯每10秒闪烁1次
配对	/	绿灯闪烁

充电仓

电量显示	发射器或接收器放入充电仓时指示灯显示当前电量,四颗灯分别代表25%/50%/75%/100%
充电显示	指示灯依次闪烁,充满后常亮

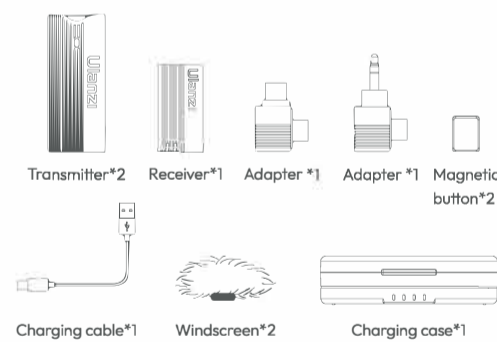
注:发射器与接收器开机3分钟后无连接将会自动关机。

CN

Product Overview

Thank you for purchasing Ulanzi products!
This product is a lavalier wireless microphone, which can provide professional level recording output. Plug and play, no app required, multiple uses: can realize webcasting, videovlog shooting, program interviews, interview recording, video teaching and other occasions.

Packing List

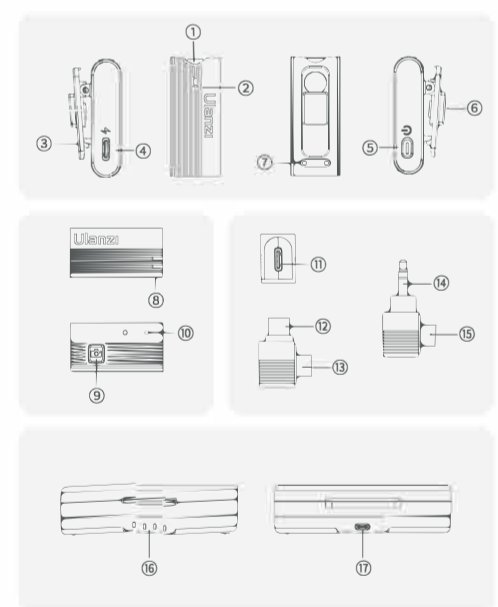


Note

1. Please avoid water ingress or heavy drop; if water is accidentally spilled, please turn off the device and dry it out, and contact a qualified service technician in time.
2. If the product is not used for a long time, please recharge it every two months.
3. Do not expose the battery to sunlight, fire or excessive heat.
4. Please try to keep transmitter and receiver operated close to avoid signal problems.

EN

Product Illustration

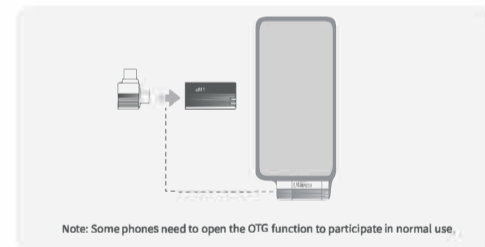


- ① Microphone
- ② Function indicator
- ③ Clip
- ④ Type-C charge
- ⑤ Power on/off
- ⑥ Magnetic button
- ⑦ Charging contacts
- ⑧ Connection indicator
- ⑨ Camera mode switch
- ⑩ Charging contacts
- ⑪ Receiver conversion port
- ⑫ Connect a cell phone
- ⑬ Connecting the receiver
- ⑭ Audio adapters
- ⑮ Connecting the receiver
- ⑯ Battery indicator
- ⑰ Type-C charge

EN

For Phone

1. Plug the receiver into the phone.



Note: Some phones need to open the OTG function to participate in normal use.

2. Press and hold the 3S ON button until the green indicator light blinks.



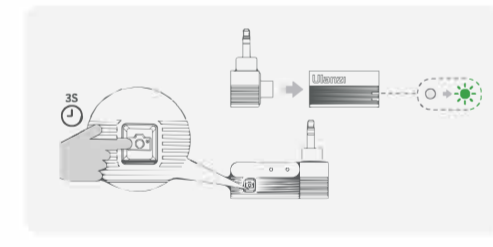
3. After successful connection, it can work normally. At this time the green indicator lights of the transmitter and receiver are always on.



EN

For Camera

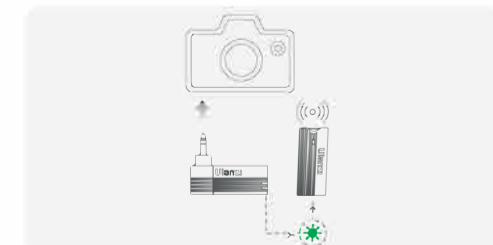
1. Press and hold the button for 3 seconds until the green light blinks.



2. Press and hold the 3S ON button until the green indicator light blinks.



3. Plug the receiver into the camera, the green indicator lights of the transmitter and receiver are always on. When the camera can be wireless radio.



Note: If there is bottom noise or current sound during the reception process, you can adjust the recording level parameter of the digital camera to achieve the best reception effect.

EN

Specification

Sampling rate	32kHz 16bit	Signal delay	30ms
Frequency response	20Hz-20kHz	Signal-to-noise ratio	≥58dB
Sound Mode	Mono	Microphone Sensitivity	-38±2dB
Transmission distance	≥20m	Mic directivity	Omnidirectional
Transmission method	Bluetooth5.3+EDR	Mic sound pressure	≥115 dB SPL
Noise reduction	Support	Input	5V / 1A
Battery	TX/RX:3.7V/70mAh/0.259Wh		
	Charging case:3.7V/800mAh/2.96Wh		
Working hours	TX: ~ 5h		
	RX: ~ 4h		
Charging time	Charging case: Simultaneous charging of TX/RX × 2 times		
	TX: ~ 1.5h		
	RX: ~ 1.5h		
	Charging case: ~ 1.5h		

UI Description

Transmitter

Function/status	Button	Indicator
Switch on	Press and hold 3s	Blue-green light flashing
Switch off	Press and hold 3s	All lights out
Unconnected	/	Blue-green light flashing
Connected	/	Green light always on
Noise reduction	Click button to switch, maximum 3 levels, sequential cycle, each time you turn on the default last shutdown noise reduction level before the last power off	Level 1 blue light is always on Level 2 blue light is always on Level 3 blue light is always on after 2 times of blinking Level 3 blue light is always on after 3 times of blinking
Mute	Double-click the button to turn mute on or off	Green light flashing
Recharge	/	Blue light always on full light off
Low battery	/	Blue light blinks 1 time every 10s
Reset	Long press 10s in power off state	Blue-green light flashing

EN

Receiver

Function/status	Buttons	Indicator
Switch on	Press and hold 3s	Green light flashing
Switch off	Press and hold 3s	Lights out
Unconnected	/	Green light flashing
Connected	/	Green light always on
Recharge	/	Red light always on full light off
Low battery	/	Red light blinks 1 time every 10s
Pairing	/	Green light flashing

Charging case

Battery level	Indicator lights show the current power level when the transmitter or receiver is put into the charging compartment, four lights represent 25%/50%/75%/100%, respectively.
Charging the battery box	The indicator lights flash in sequence and stay on when fully charged.

Note: Transmitter and receiver will automatically shut down after 3 minutes of being turned on with no connection.

FCC Statement

This device complies with part 15 of the FCC Rules. Operation is subject to the following two conditions: (1) this device may not cause harmful interference, and (2) this device must accept any interference received, including interference that may cause undesired operation.
Any changes or modifications not expressly approved by the party responsible for compliance could void the user's authority to operate the equipment.
NOTE: This equipment has been tested and found to comply with the limits for a Class B digital device, pursuant to Part 15 of the FCC Rules. These limits are designed to provide reasonable protection against harmful interference in a residential installation. This equipment generates, uses and can radiate radio frequency energy and, if not installed and used in accordance with the instructions, may cause harmful interference to radio communications. However, there is no guarantee that interference will not occur in a particular installation.
If this equipment does cause harmful interference to radio or

EN

television reception, which can be determined by turning the equipment off and on, the user is encouraged to try to correct the interference by one or more of the following measures:
-- Reorient or relocate the receiving antenna.
-- Increase the separation between the equipment and receiver.
-- Connect the equipment into an outlet on a circuit different from that to which the receiver is connected.
-- Consult the dealer or an experienced radio/TV technician for help.
The device has been evaluated to meet general R F exposure requirements. The device can be used in portable exposure condition without restriction.

EN