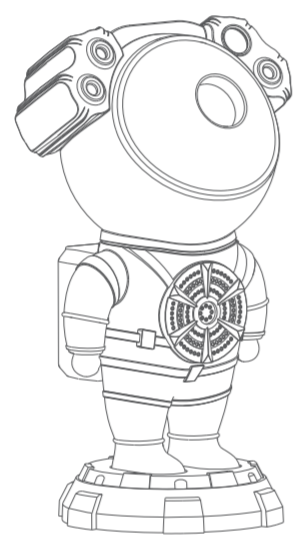


更改原因	更改内容	更改日期

130mm

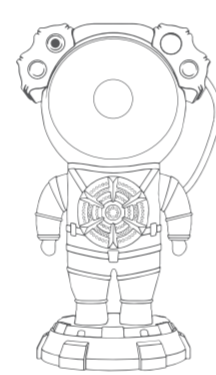
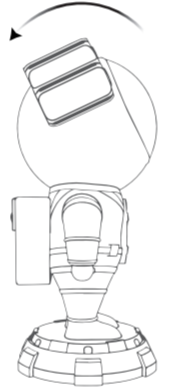
User's Manual



XKD-17

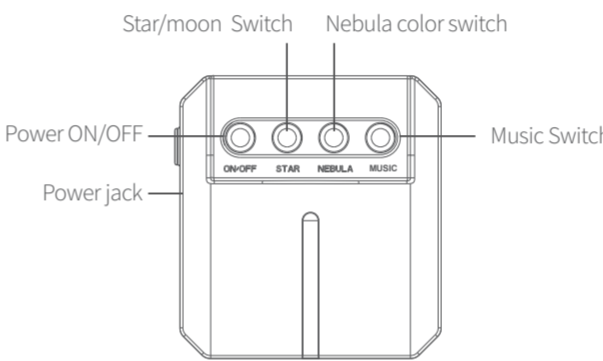
Attention

- ◆ The light source of stars and nebulae is strong, so eyes should not look directly at the light source.
- ◆ The brightness of the stars (ie laser brightness) is affected by the ambient temperature and time of use. When the ambient temperature is hot or the power-on time is longer, the brightness of the laser will decrease due to the heat of the light source. At this time, just turn off the power and let the laser emit. The heat dissipation of the device (heat dissipation time usually takes more than 15 minutes) and then turn it on to restore the brightness.
- ◆ The head and body of the astronaut are connected together by magnets, and the direction of the head can be adjusted. Do not stretch the astronaut's head and body forcefully, otherwise the wires may break due to stretching.

100mm

Host Key Operation Instructions



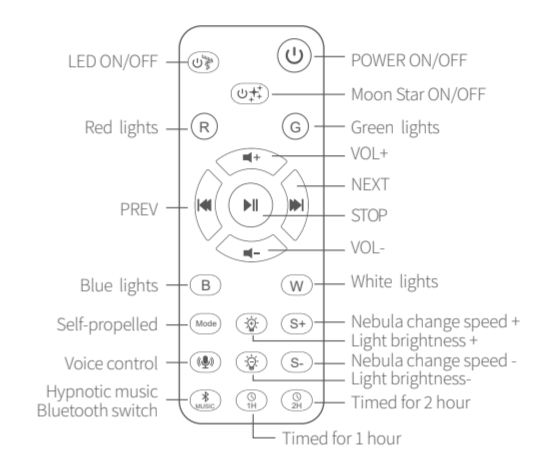
Power ON/OFF: Turn on, turn off

Star/moon Switch: Switch the star mode: always bright / breathe, long press off

Nebula color Switch: Switch the nebula mode, long press off

Music Switch: Turn on, turn off

Remote Control Instructions



Material: ABS/PC
Product Color: White/Black
Laser Wavelength: 532nm
LED Power:< 5W
Control Mode: Remote control
Remote Control Range:< 5meters(Best distance)
Power Supply:100-240V~50/60Hz 0.4A
Work Input: 5V/2A
Product Size: 145*115*250mm
Applicable Environment: Indoor Home (Better in a dark environment)
Working Temperature: 10°~40°Celsius

FC CE RoHS

- 备注:
1. 材质: 128g双铜 ;
 2. 成品尺寸: 100*130mm, 公差: ±1mm;
 3. 印刷工艺: 正反印刷, 4P;
 4. 不能有划痕、异物、斑点等, 必须符合我司检验要求;
 5. 所有材料需符合HF/RoHS/WEEE环保要求

未标注公差 尺寸公差 角度公差	产品名称	宇航员	材质	东莞懒人智家智能科技有限公司				
	产品型号	XKD-17	颜色					
	零件名称	说明书	设计					杜雪晴
	零件编号		审核					朱江涛
	比例	fit	批准					
	投影视角 	单位	版本	日期				
		mm	A1	20241031				

FCC Warning

This device complies with part 15 of the FCC Rules. Operation is subject to the following two conditions: (1) This device may not cause harmful interference, and (2) this device must accept any interference received, including interference that may cause undesired operation.

Any Changes or modifications not expressly approved by the party responsible for compliance could void the user's authority to operate the equipment.

Note: This equipment has been tested and found to comply with the limits for a Class B digital device, pursuant to part 15 of the FCC Rules. These limits are designed to provide reasonable protection against harmful interference in a residential installation. This equipment generates uses and can radiate radio frequency energy and, if not installed and used in accordance with the instructions, may cause harmful interference to radio communications. However, there is no guarantee that interference will not occur in a particular installation. If this equipment does cause harmful interference to radio or television reception, which can be determined by turning the equipment off and on, the user is encouraged to try to correct the interference by one or more of the following measures:

- Reorient or relocate the receiving antenna.
- Increase the separation between the equipment and receiver.
- Connect the equipment into an outlet on a circuit different from that to which the receiver is connected.
- Consult the dealer or an experienced radio/TV technician for help.

This equipment complies with FCC radiation exposure limits set forth for an uncontrolled environment. This equipment should be installed and operated with minimum distance 20cm between the radiator & your body.