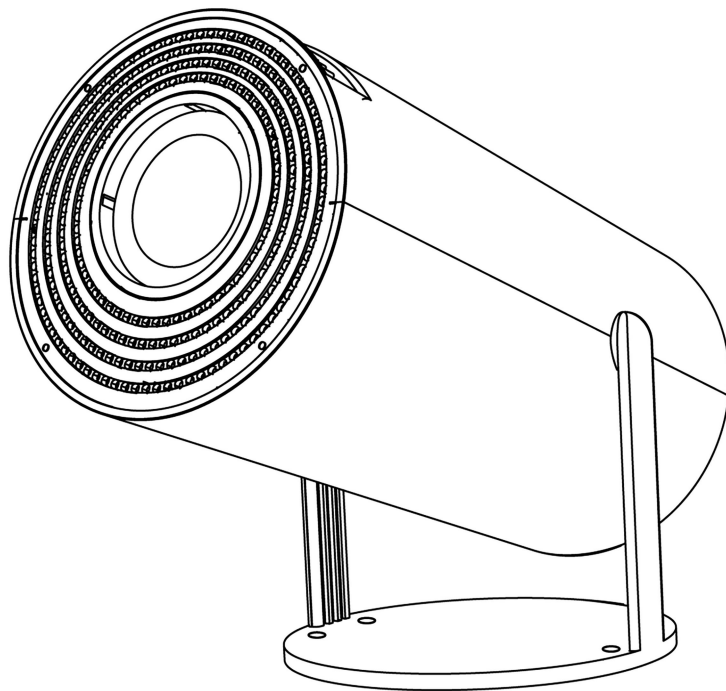


Projector



※Quick Installation Guide※

Chapter 1 Warm Reminder

*Do not switch on or operate the unit before you have read the instruction manual

*To achieve a better projection effect, it is recommended to turn off the lights when using it

*Please unplug the power adapter from the wall plug if the projector overheats or smokes

*Do not look into the lens directly, this can cause eye damage, don't even try to do this

*Do not let children get close to the projector as they may look into the lens directly

*Do not unplug the power adapter immediately after turn off the projector, you should wait 5 mins later until the cooling fan stop rotating

*Do not attempt to repair the projector as this action will void the warranty

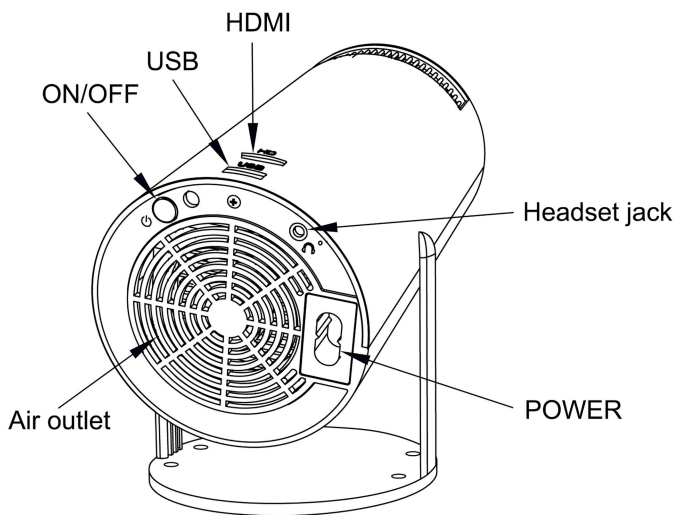
*Do not use the projector in a wet environment, or place liquid on or close to the projector

*Do not block the air inlet and ensure the projector is placed in a well ventilated location

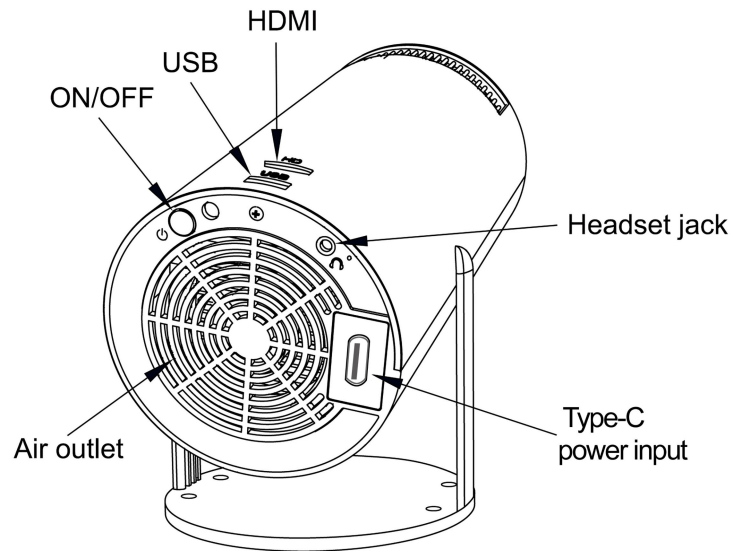
Chapter 2 Projector Overview

This manual is for reference only. It is subject to change without prior notice, we reserve the right of final interpretation.

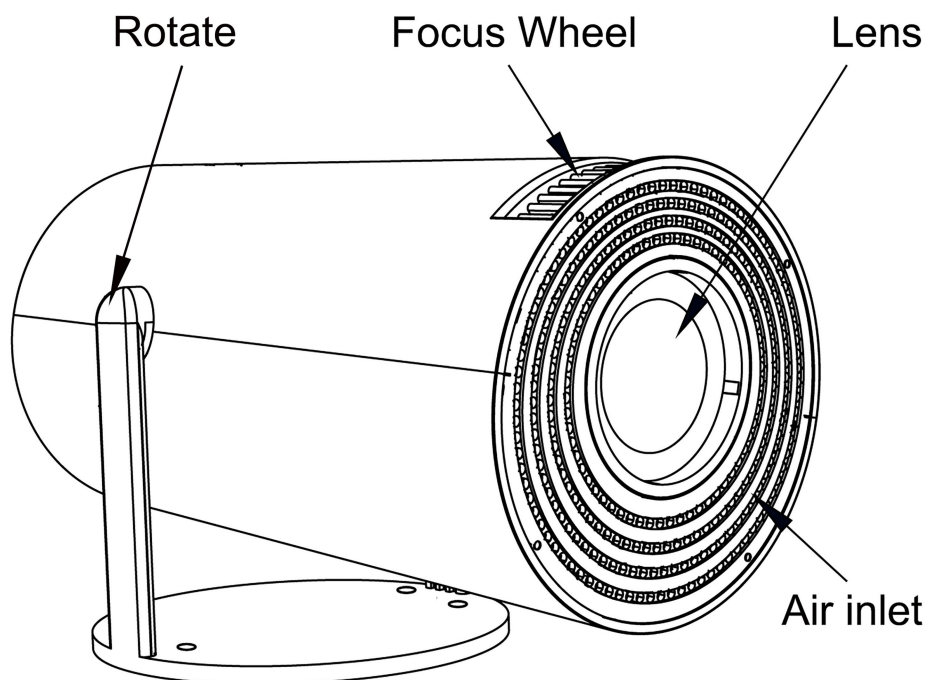
1、AC Version



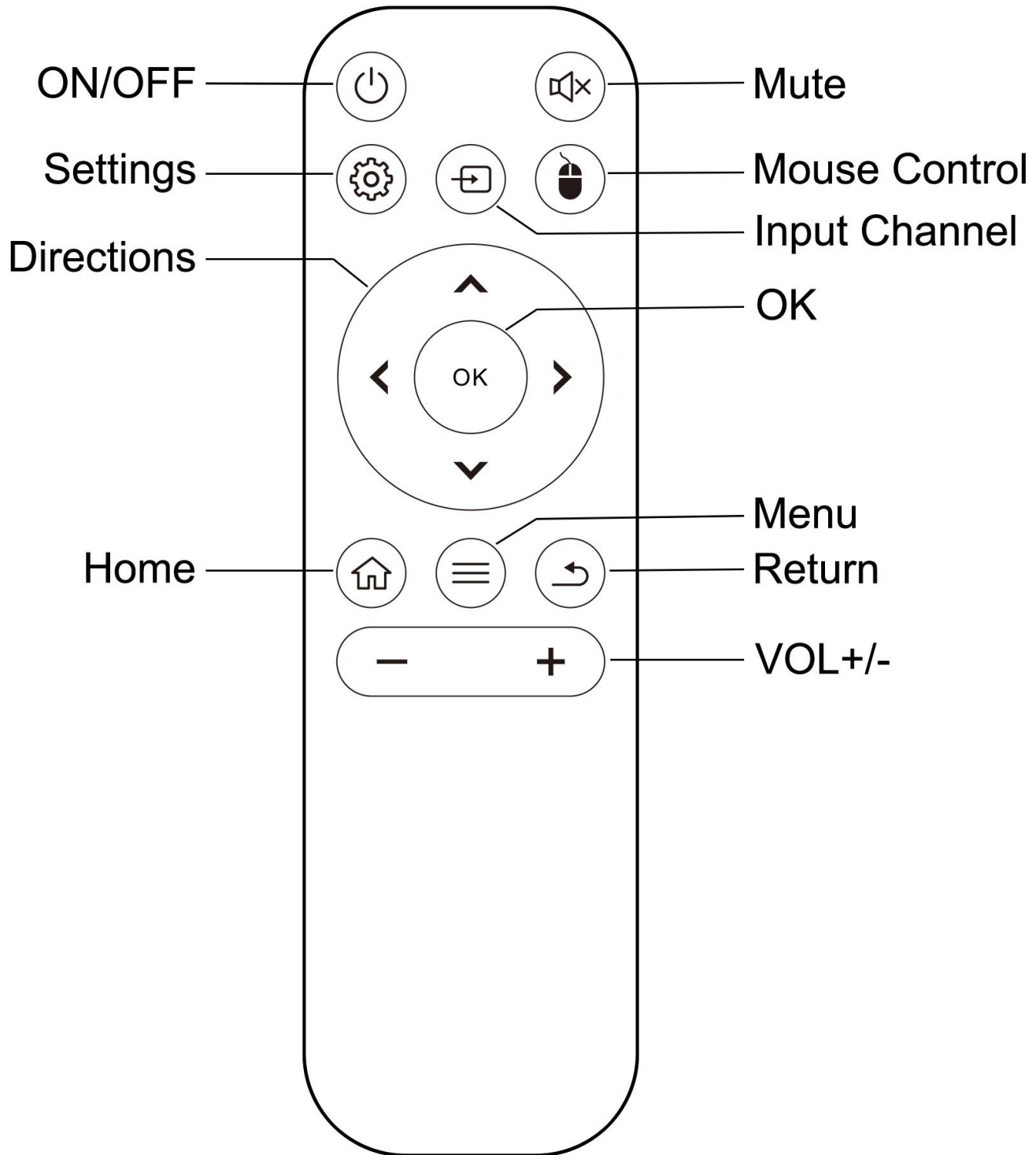
2、Upgraded Version: Type-C Version



Notice: Type-C Version need Charger with 15V/3A
or Using PD3.0 quick charger




Chapter 3 Remote Control Overview




Chapter 4 Projector Settings

Manual Focus

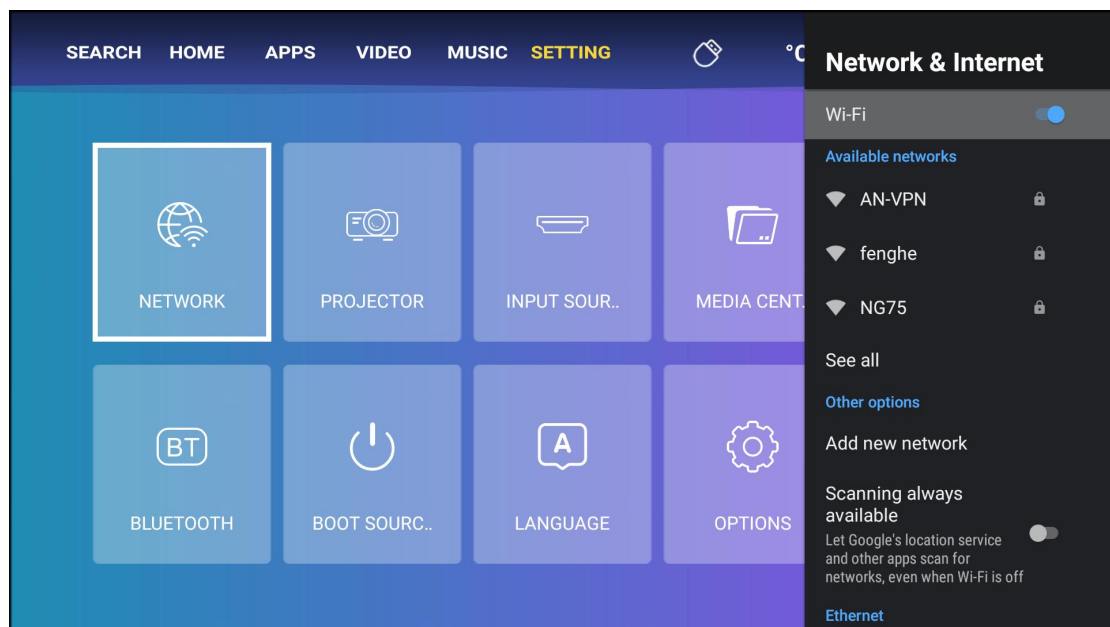
When the projected image is blurry, you can rotate  on projector to focus, please notice projector to screen should be between 0.6m-4.5m.

Mouse Control

When using remote to slide or input do not working very well, please open  on remote to control.

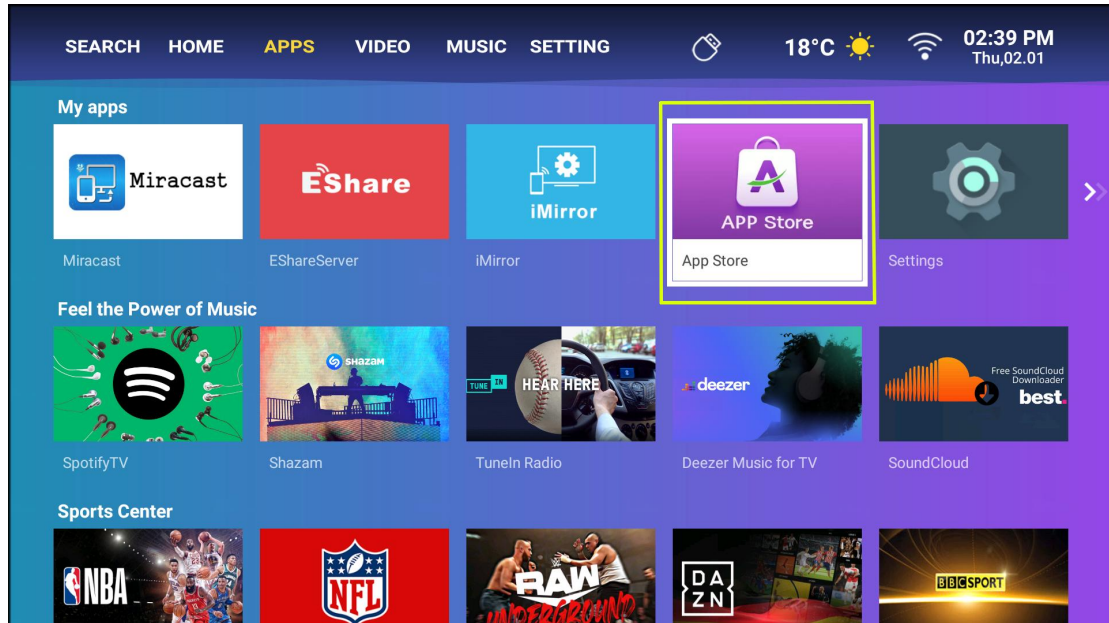
Connect to Wi-Fi

Go to SETTING - NETWORK - Wi-Fi, choose available network and enter password.
(TERMS OF USE may appear for the first time connect, please just choose to Accept)



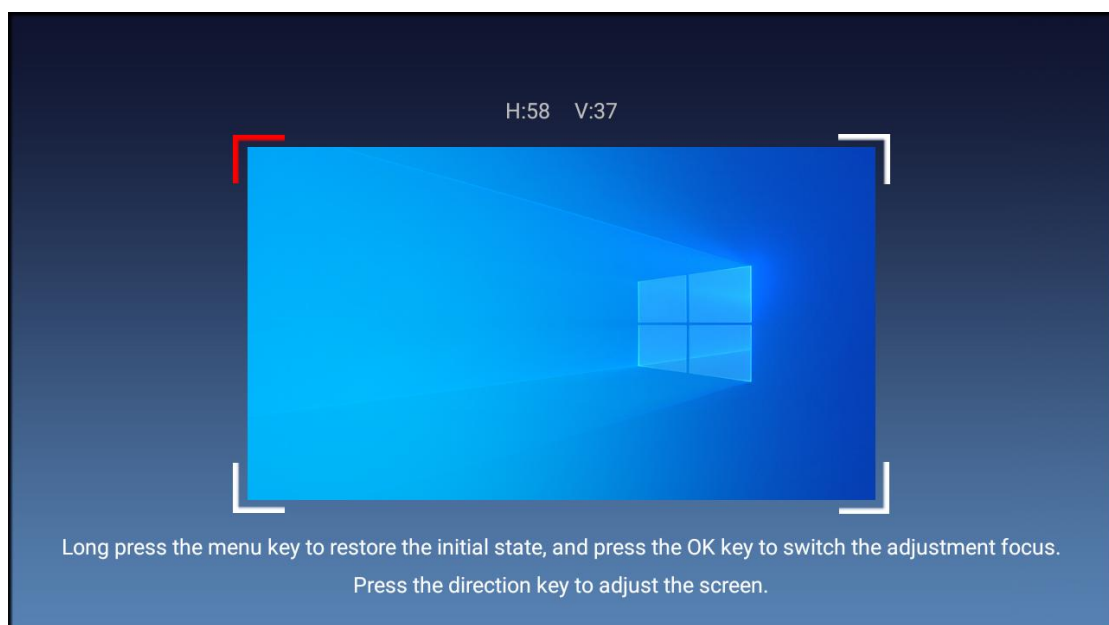
APP Store

You can install from APPS - My APPS - APP Store, search your favourite APP, download and install, you can uninstall by pressing Menu on Remote - Uninstall



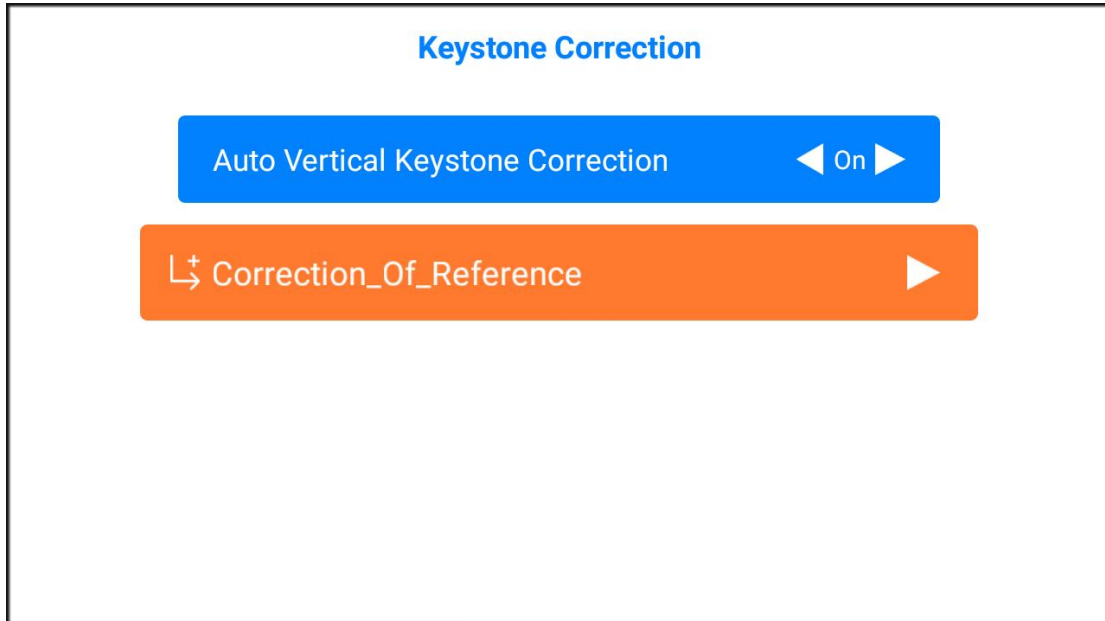
4-point Keystone Correction

When the projected image is not rectangle, you can open 4-point Keystone Correction to adjust manually. (Route: SETTING - PROJECTOR - Keystone Correction - 4-point Keystone Correction)



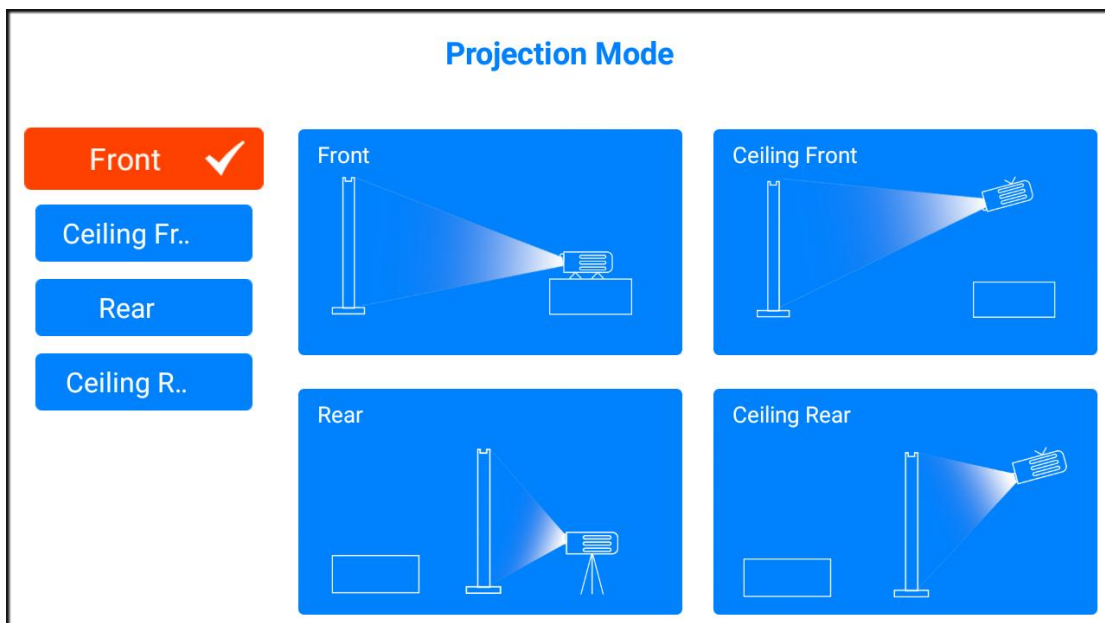
Auto Vertical Keystone Correction

Auto Vertical Keystone Correction is commonly used when projector mounted on bracket for upward projection, open it can automatically adjust the picture to rectangle. (Route: SETTING - PROJECTOR - Keystone Correction - Auto Vertical Keystone Correction - On)



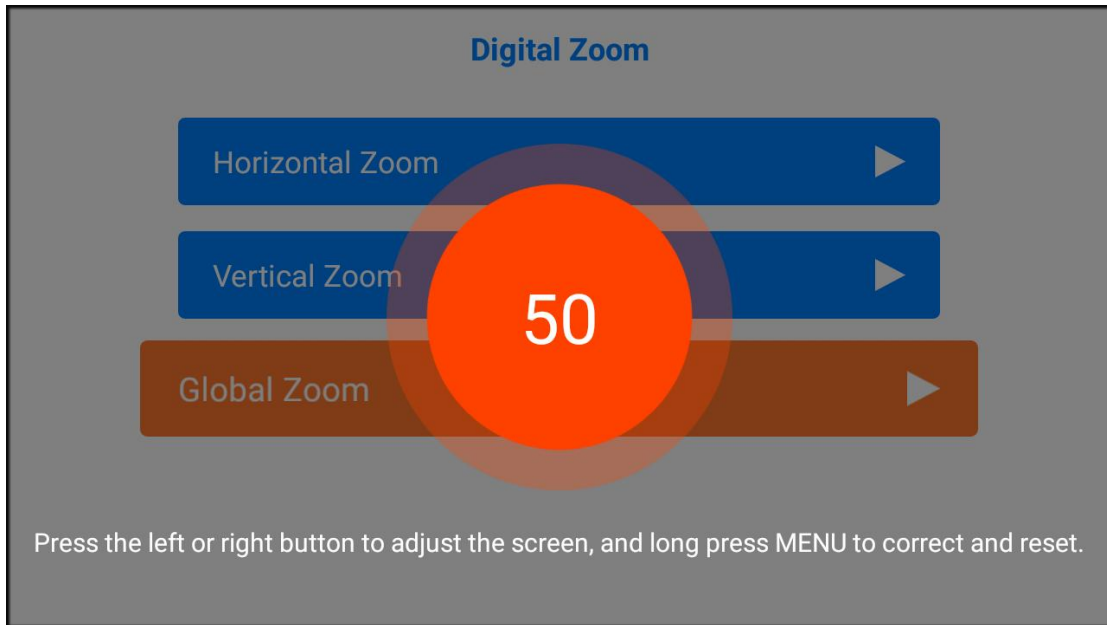
Projection Mode

When needs to project from rear or ceiling, please choose projection methods as below. (Route: SETTING - PROJECTOR - Projection Mode)



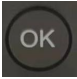
Digital Zoom

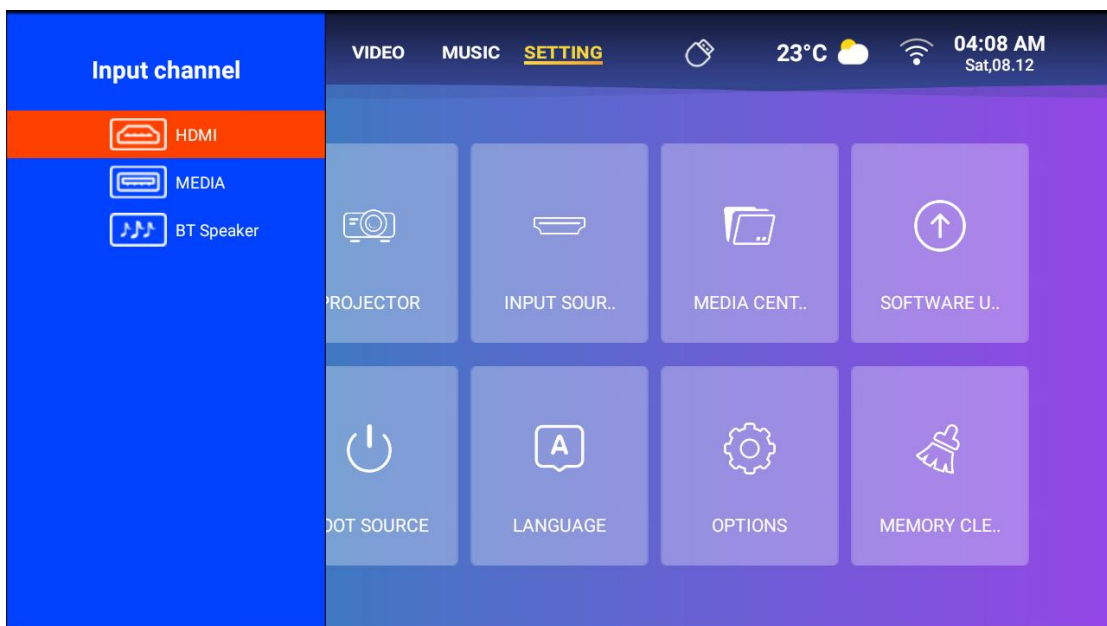
When the projected size cannot adapt to the screen, it can be adjusted by moving the projector forth or back, if do not want to move the projector, you can also adjust the size by digital zoom. (Route: SETTING - PROJECTOR - Digital Zoom)



Connect USB/HDMI devices

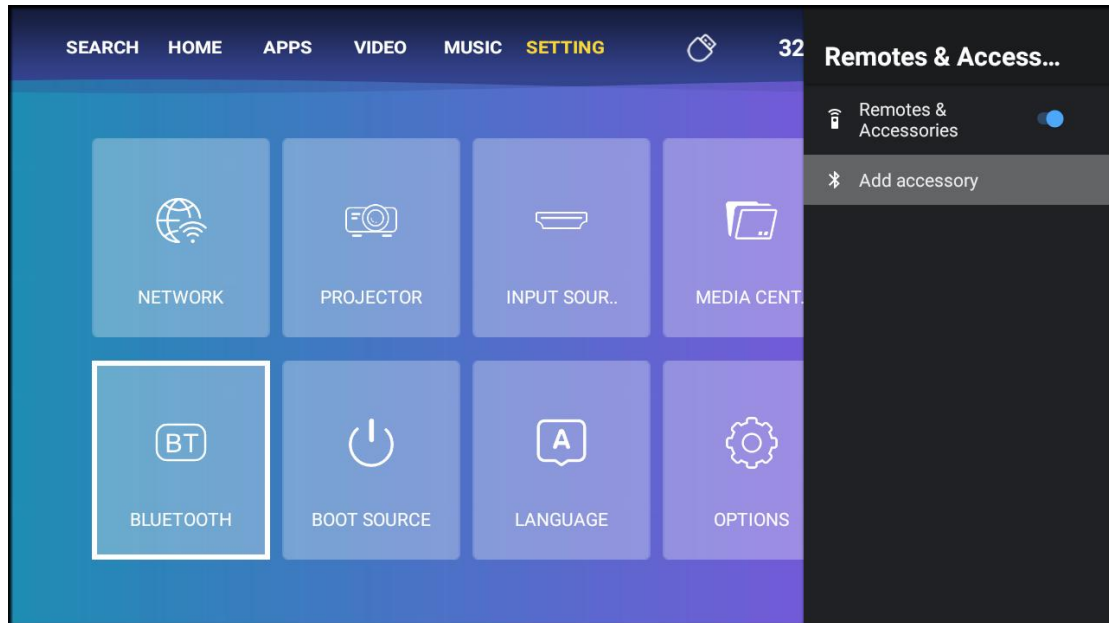
Connect USB/HDMI device to projector first, then press  on remote control,

choose the channel you need, press  to confirm.



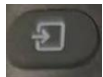
Pair Bluetooth Earphone/Soundbar

- ① Put Earphone/Soundbar in Bluetooth pairing mode, let it can be visible to the nearby devices
- ② Go to projector SETTING - BLUETOOTH - Remotes & Accessories - Add accessory, projector will search accessories, when find accessories name, choose to pair them

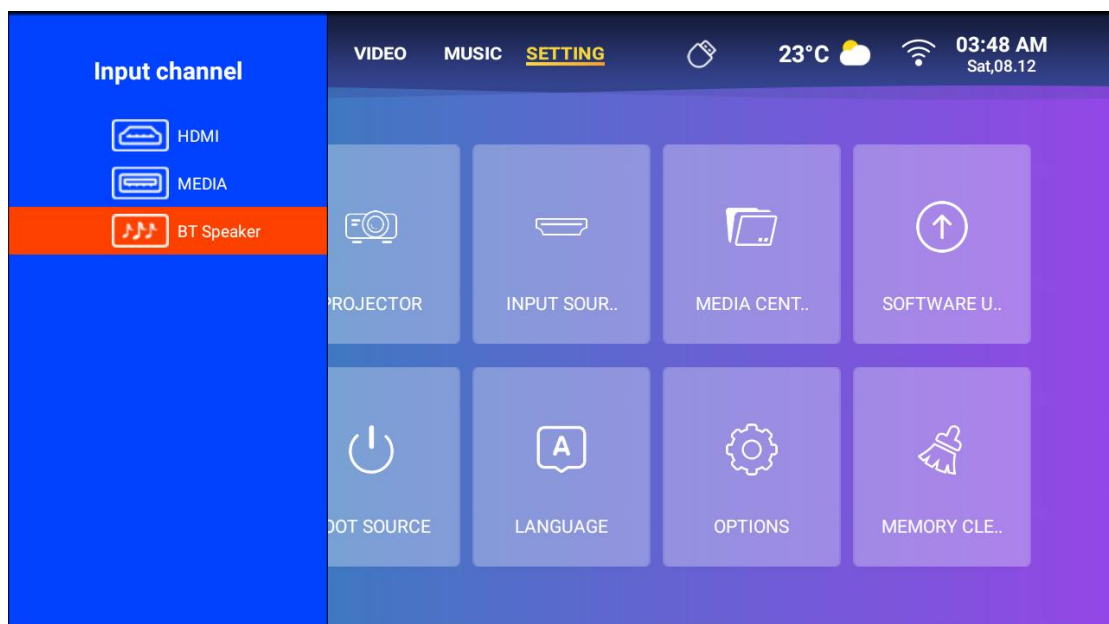


Bluetooth Speaker Mode



This projector also can be used as a speaker, connect it to phone via Bluetooth, press



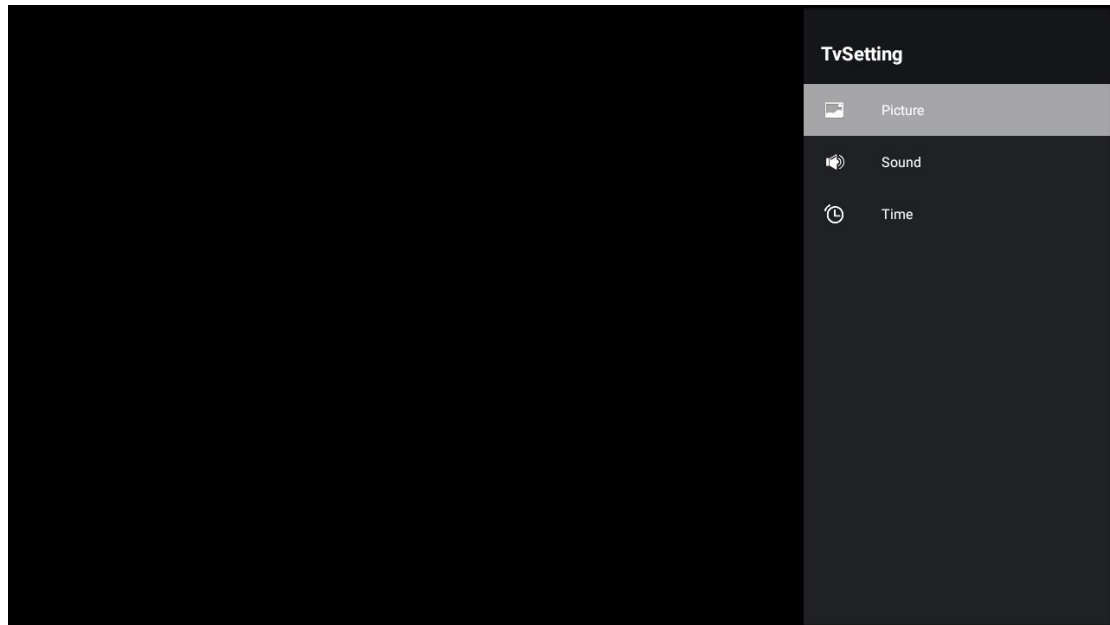
on remote control, choose BT Speaker, then it will be your phone speaker



Picture, Sound and Time

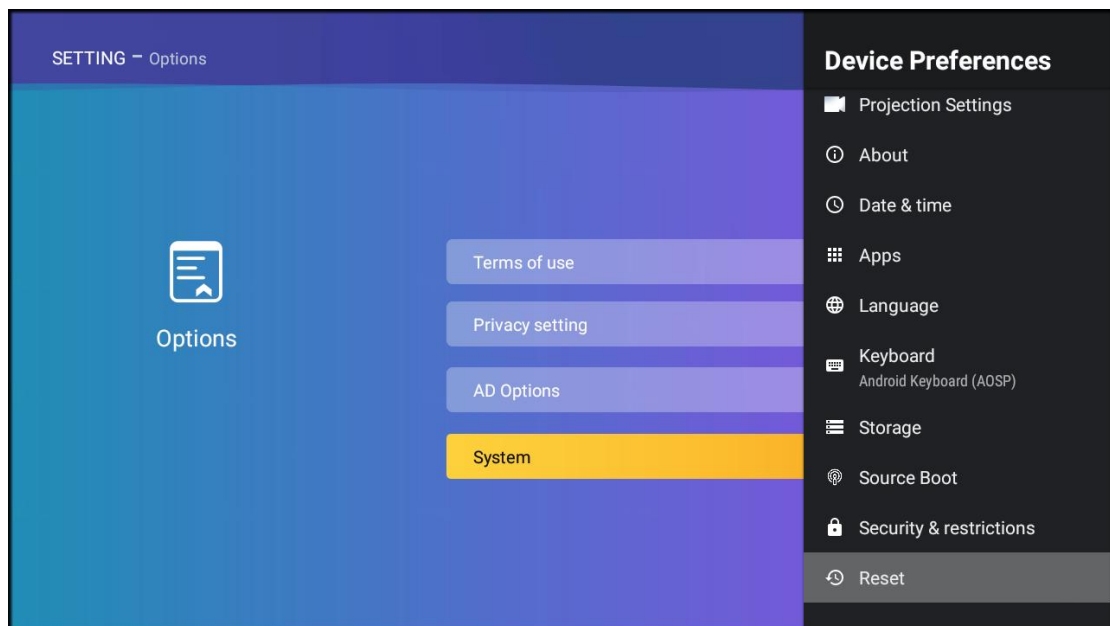
Press  on remote control, access into HDMI channel, press ,

then you can adjust the picture, sound and time



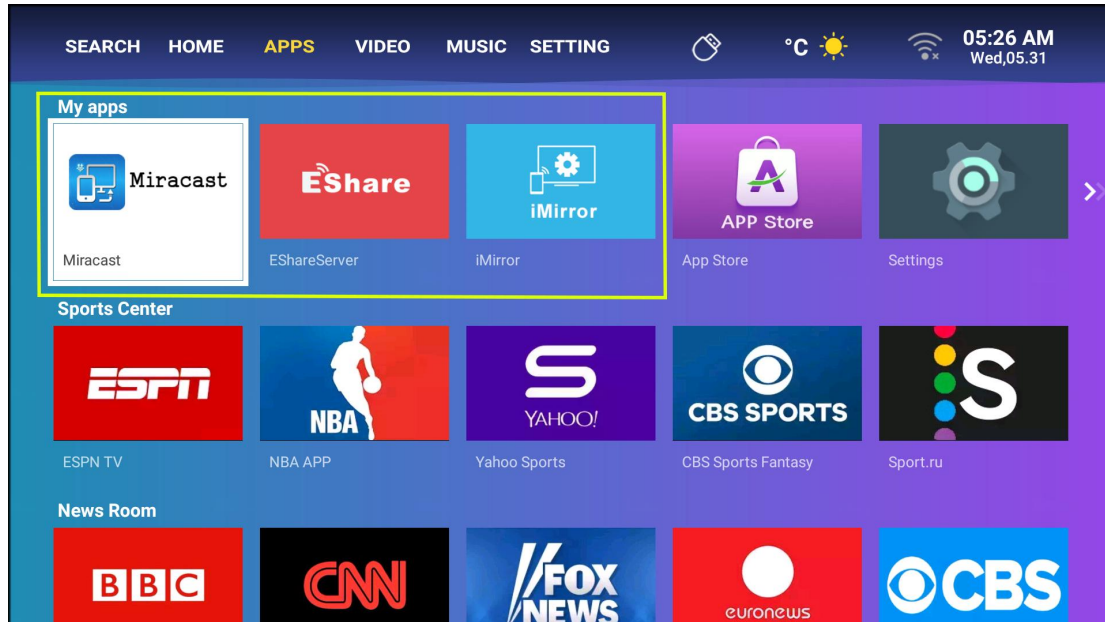
Reset Projector

System Reset: (Route: SETTING - OPTIONS - System - Device Preferences - Reset)



Chapter 5 Wireless Projection

*APPs like Netflix, Disney+, prime video, etc probably cannot support screen mirroring due to DRM.



Android phone connect to Miracast

- ① Make sure phone and projector open Wi-Fi, it's better also open phone bluetooth
- ② Open "Miracast" on the projector and get the Device Name: Android_XXXX
- ③ Open "Wireless Projection" on phone drop-down bar to search the device name, when it appears, choose to pair them

iPhone connect to iMirror

- ① Make sure iPhone and projector connect the same Wi-Fi network
- ② Open "iMirror" on the projector and get the Device Name: EShare-XXXX
- ③ Open "Airplay" on iPhone drop-down bar to search the device name, when it appears, choose to pair them (iOS 16.2 must be upgraded to 16.3 or above)

Third party "EShare" APP connection

- ① Make sure Android/iPhone and projector connect the same Wi-Fi network
- ② Open "EShare" on the projector and get the Device Name: EShare-XXXX
- ③ Download "EShare" APP to your phone by scanning the QR-code on the projector
- ④ Open "EShare" on your phone to search the device name, when it appears, choose to pair them, for more please check: <http://www.eshare.tech/index.html>

Chapter 6 Reminder for Netflix

If Netflix can not work properly, you can check as below:

- ① Please only use built-in Netflix, any other route may not work properly
- ② It maybe your Netflix has been bound to other device, please unbind it and logout
- ③ Please contact us to update system, we're always ready to help you

Chapter 7 Questions&Answers

Why no sound from the projector?

This projector does not support Dolby, please turn off Dolby sound on APP or on connected device

Why some APPs do not compatible?

This projector built-in android TV system, not for phone, some APPs do not compatible is very normal

Why on some APPs do not show the Remote Control selected focus?

The reason is these APPs are phone version, please use mouse button on remote or external USB mouse

How to switch to your Local Language?

Go to SETTING - LANGUAGE - Choose your Local Language

How to Switch Keyboard Input?

Go to SETTING - OPTIONS - System - Device Preferences - Keyboard, add your local keyboard

Which formats are supported by the USB interface?

USB interface supports format NTFS and FAT32, if not please reformat your device to any of them

If any other problem happens, please contact us before dispute or return, we're always ready to help you!

FCC Statement

This equipment has been tested and found to comply with the limits for a Class B digital device, pursuant to part 15 of the FCC rules. These limits are designed to provide reasonable protection against harmful interference in a residential installation. This equipment generates, uses and can radiate radio frequency energy and, if not installed and used in accordance with the instructions, may cause harmful interference to radio communications. However, there is no guarantee that interference will not occur in a particular installation. If this equipment does cause harmful interference to radio or television reception, which can be determined by turning the equipment off and on, the user is encouraged to try to correct the interference by one or more of the following measures:

- Reorient or relocate the receiving antenna.
- Increase the separation between the equipment and receiver.
- Connect the equipment into an outlet on a circuit different from that to which the receiver is connected.
- Consult the dealer or an experienced radio/TV technician for help.

To assure continued compliance, any changes or modifications not expressly approved by the party.

Responsible for compliance could void the user's authority to operate this equipment. (Example- use only shielded interface cables when connecting to computer or peripheral devices).

This equipment complies with Part 15 of the FCC Rules. Operation is subject to the following two conditions:

- (1) This device may not cause harmful interference, and
- (2) This device must accept any interference received, including interference that may cause undesired operation.

FCC Radiation Exposure Statement:

The equipment complies with FCC Radiation exposure limits set forth for uncontrolled environment. This equipment should be installed and operated with minimum distance 20cm between the radiator and your body.