

# BVK-3317

Multiple Function RGB Light Wireless Speaker

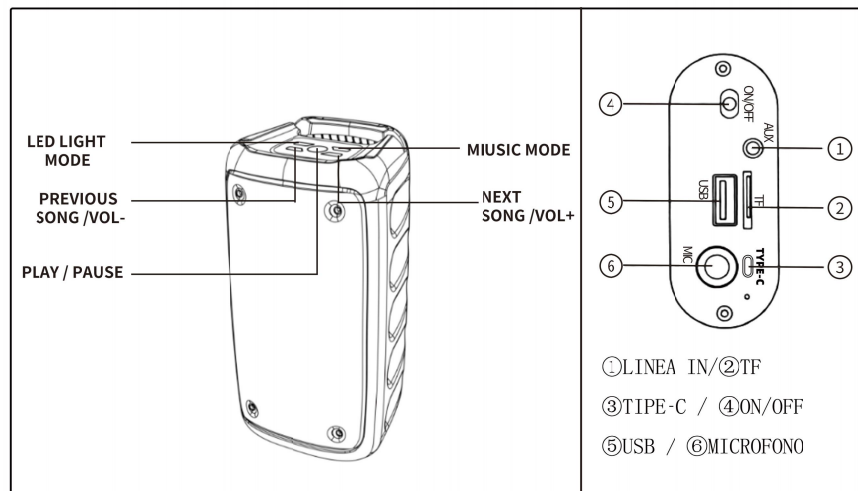
### Componenti:

Wireless Speaker\*1  
Charging Cable\*1

### Specification:

**Wireless transmission rang** : up to 10meter  
**Speaker drive size** : 3inch\*2  
**Output power**:10w  
**Frequencyresponse**:100HZ-20KHZ  
**Signal to noise ratio** : ≥85dB  
**FM scan rang**:87.5-108.0MHz  
**USB charging** :TYPE-C  
**Product size**:16\*15.2\*29.2 CM

## Key Manual



# BVK-3317

Altavoz Inalámbrico con Luz RGB de Funciones Múltiples

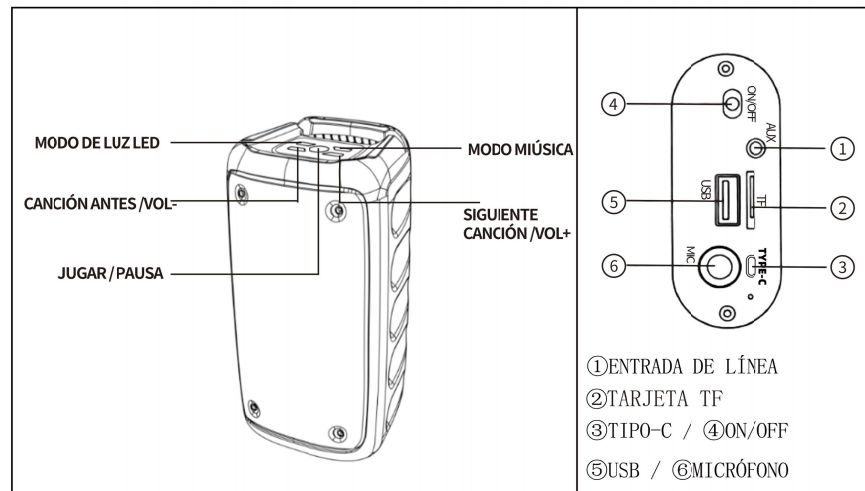
### Componenti:

Altavoz Inalámbrico\*1  
Cable de Carga\*1

### Especificaciones:

**Alcance de Transmisión Inalámbrica**: hasta 10 metros  
**Tamaño del Altavoz**: 3 pulgadas\*2  
**Potencia de Salida**: 10 W  
**Respuesta de Frecuencia**: 100Hz-20 KHz  
**Relación Señal/Ruido**: ≥85 dB  
**Rango de Exploración de FM**: 87.5-108.0 MHz  
**Carga USB**: Tipo-C  
**Dimensiones del Producto**: 16\*15.2\*29.2 CM

## Manual de Teclas



# BVK-3317

Enceinte sans fil à lumière RGB à fonctions multiples

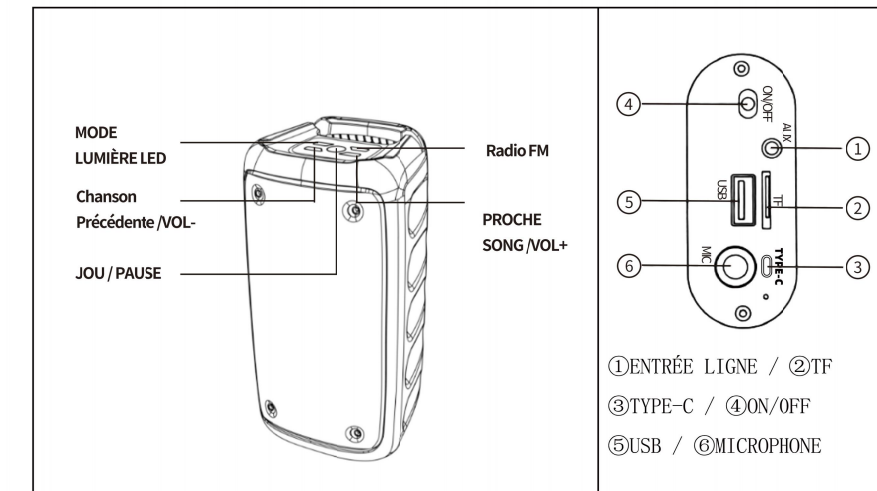
### Composant :

Enceintes sans fil\*1  
Câble de chargement \*1

### Spécification :

**Portée de transmission sans fil** : jusqu'à 10 mètres  
**Taille du haut-parleur** : 3 pouces \* 2  
**Puissance de sortie** : 10 watts  
**Réponse en fréquence** : 100Hz-20KHz  
**Rapport signal sur bruit** : ≥85dB  
**Plage de balayage FM** : 87.5-108.0MHz  
**Chargement USB** : TYPE-C  
**Dimension du produit** : 16\*15.2\*29.2 CM

## Manuel de clés



# BVK-3317

Altoparlante leggero senza fili muntifunzione RGB

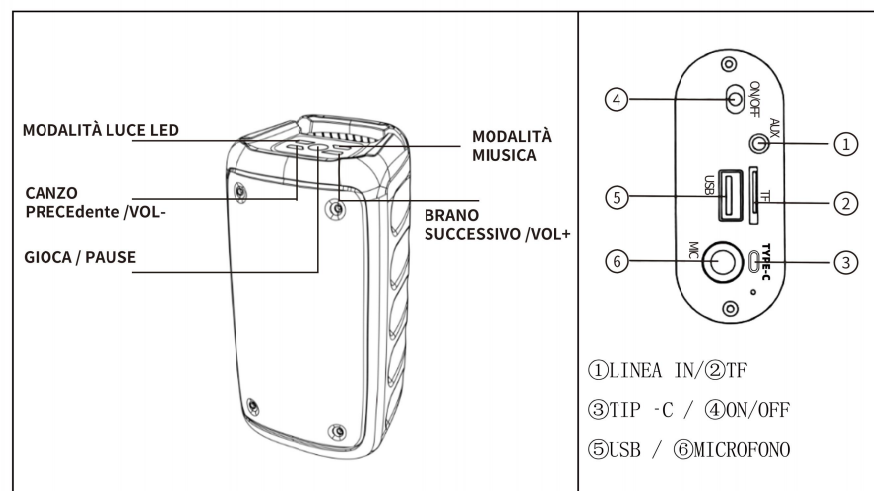
### Componenti:

Altoparlante senza fili \*1  
Cavo di ricarica\*1

### Specificazioni:

**Raggio di trasmissione senza fili**: fino a 10 metri  
**Dimensioni unità dell' altoparlante** : 3 pollici \*2  
**Potenza di uscita**:10w  
**Risposta alla frequenza**: 100Hz-20KHz  
**Rapporto segnale a suono**: ≥85dB  
**Scansione suono FM** : 87.5-108.0MHz  
**USB di ricarica**: TYPE-C  
**Dimensioni prodotto**:16\*15.2\*29.2 CM

## Manuale istruzione



# BVK-3317

Kabelloser RGB-Licht-Lautsprecher mit mehreren Funktionen

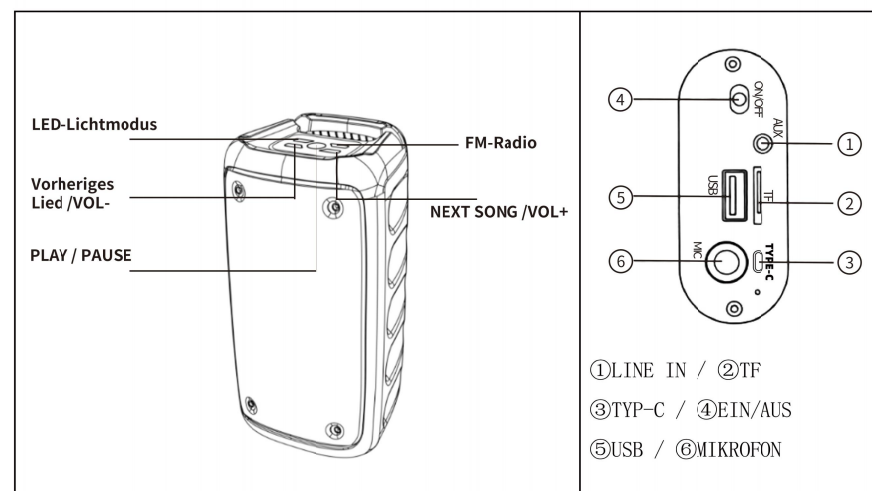
### Bestandteil:

Kabelloser Lautsprecher\*1  
Ladekabel\*1

### Spezifikation:

**Drahtlose Übertragungsbereich**: bis zu 10 Meter  
**Größe des Lautsprecherlaufwerks**: 3 Zoll \* 2  
**Ausgangsleistung**: 10 W  
**Frequenzgang**: 100Hz-20KHz  
**Signal-Rausch-Abstand**: ≥85dB  
**FM-Scan-Bereich** : 87.5-108.0MHz  
**USB-Aufladung**: TYP-C  
**Produktgröße**: 16 \* 15.2 \* 29.2 CM

## Schlüssel-Handbuch



# BVK-3317

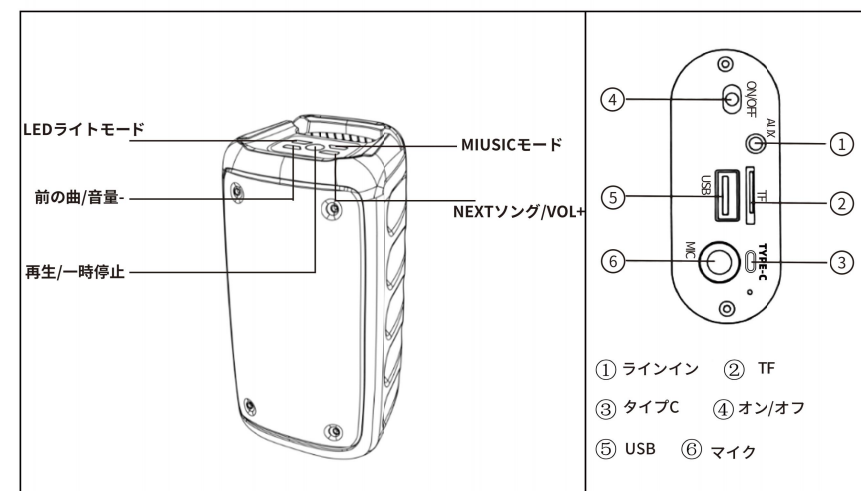
多機能RGB光ワイヤレススピーカ

コンポーネント:  
ワイヤレススピーカー\*1本  
充電ケーブル\*1本

### 仕様:

ワイヤレス通信: 最大10 M  
スピーカ駆動サイズ: 3インチ\*2  
出力: 10W  
周波数応答: 100HZ-20KHZ  
S/N: ≥85DB  
FMスキャン範囲: 87.5~108.0メガヘルツ  
USB充電: タイプC  
商品サイズ: 16\*15.2\*29.2CM

## キーハンドブック



## FCC Warning

This device complies with part 15 of the FCC Rules. Operation is subject to the following two conditions: (1) This device may not cause harmful interference, and (2) this device must accept any interference received, including interference that may cause undesired operation.

Any Changes or modifications not expressly approved by the party responsible for compliance could void the user's authority to operate the equipment.

**Note:** This equipment has been tested and found to comply with the limits for a Class B digital device, pursuant to part 15 of the FCC Rules. These limits are designed to provide reasonable protection against harmful interference in a residential installation. This equipment generates uses and can radiate radio frequency energy and, if not installed and used in accordance with the instructions, may cause harmful interference to radio communications. However, there is no guarantee that interference will not occur in a particular installation. If this equipment does cause harmful interference to radio or television reception, which can be determined by turning the equipment off and on, the user is encouraged to try to correct the interference by one or more of the following measures:

- Reorient or relocate the receiving antenna.
- Increase the separation between the equipment and receiver.
- Connect the equipment into an outlet on a circuit different from that to which the receiver is connected.
- Consult the dealer or an experienced radio/TV technician for help.

The device has been evaluated to meet general RF exposure requirement. The device can be used in portable exposure condition without restriction.