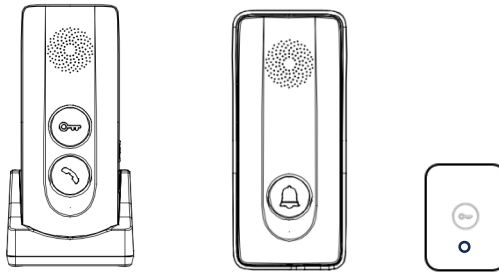
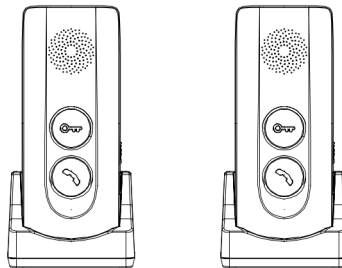


Wireless intercom doorbell

User Manual



A



B

Packaging List

A.1V1+Unlocking Device



Indoor unit x1



Outdoor unit x1



Charging base x1



Rain cover x1



Unlocking device x1
(optional)



Screws pack x1

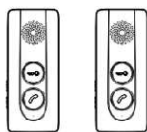


18650 lithium battery x2



Type-C USB cable x1

B. Two indoor units



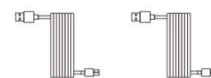
Indoor unit x2



Charging base x2



18650 lithium battery x2



Type-C USB cable x2

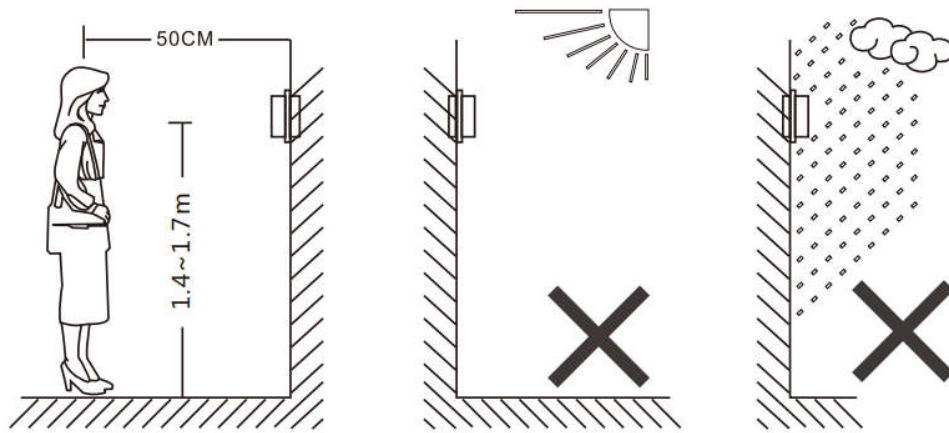
Product Features

- Adopting 433.39MHz public channel, with long distance and strong penetration (about 800-1000 meters in open space)
- 18650 battery powered, low power consumption, long standby time
- Outdoor units can be charged with solar panels
- Charging base design for indoor unit, Type-C charging port, same type battery for indoor unit and outdoor unit.
- 38 pieces of music, 4 levels adjustable volume
- Indicator light for low battery and charging state
- Two-way hands-free intercom
- 433MHz wireless unlocking (this function requires an optional unlocking device)
- Remote key unlocking (optional)
- The outdoor unit has IP55 protection level
- Easy and convenient installation

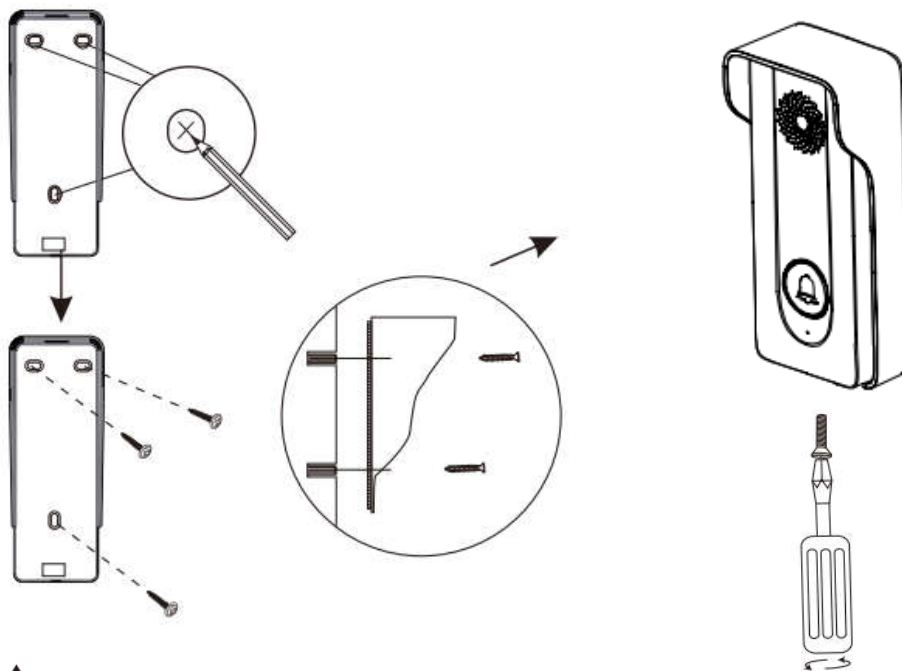
Equipment Installation Guide

Outdoor unit installation

The outdoor unit should be installed 1.4 to 1.7 meters above the ground, and should be kept away from sunlight and rain as much as possible.



Drill holes on the wall according to the hole size of the rain cover and fix the rain cover to the wall with three screws.

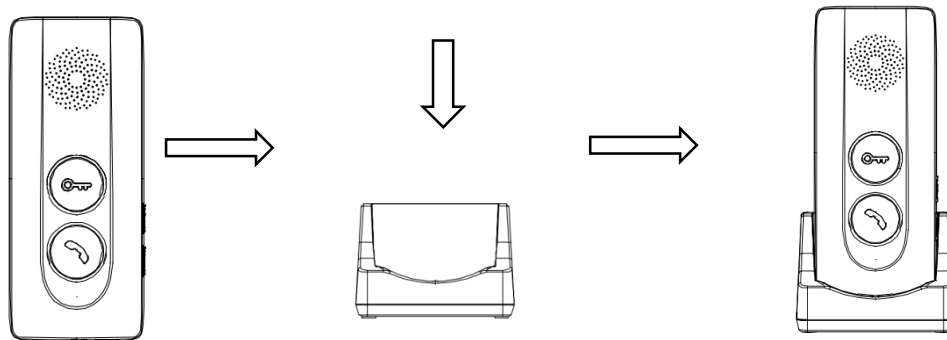


Safety tips

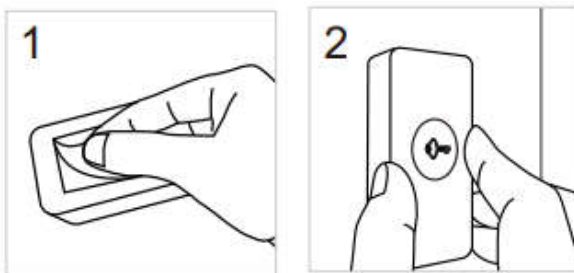
- Do not install the outdoor unit in high temperature or humidity areas.
- Avoid throwing or hitting the devices.

Indoor unit installation

Plug the indoor unit into the charging stand on the desktop



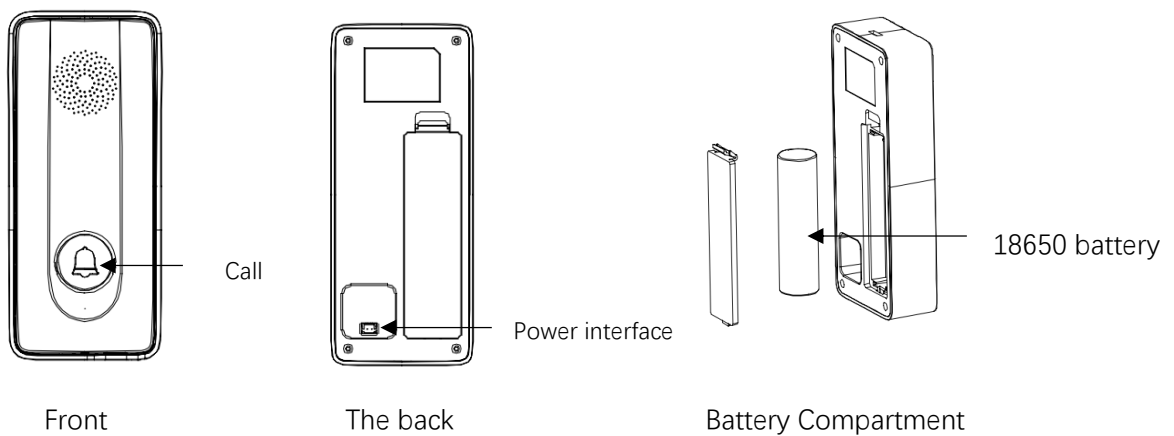
Unlocking device (optional)



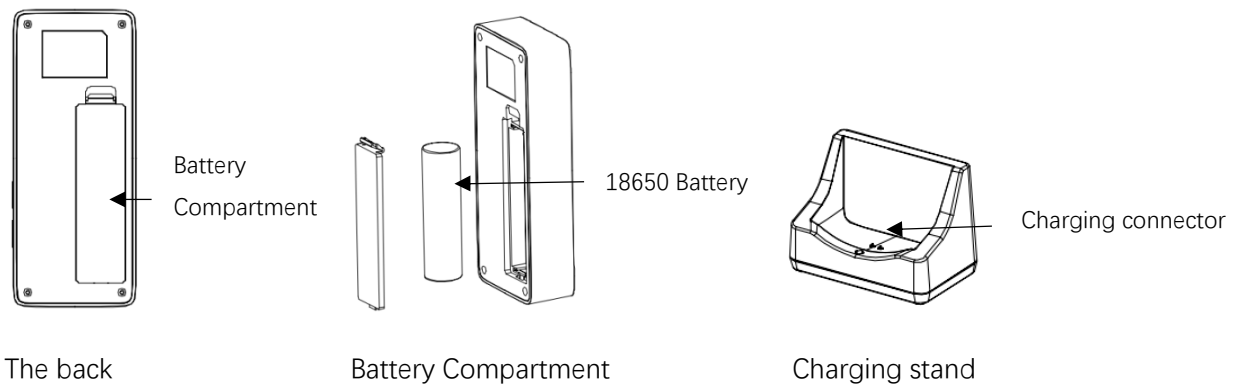
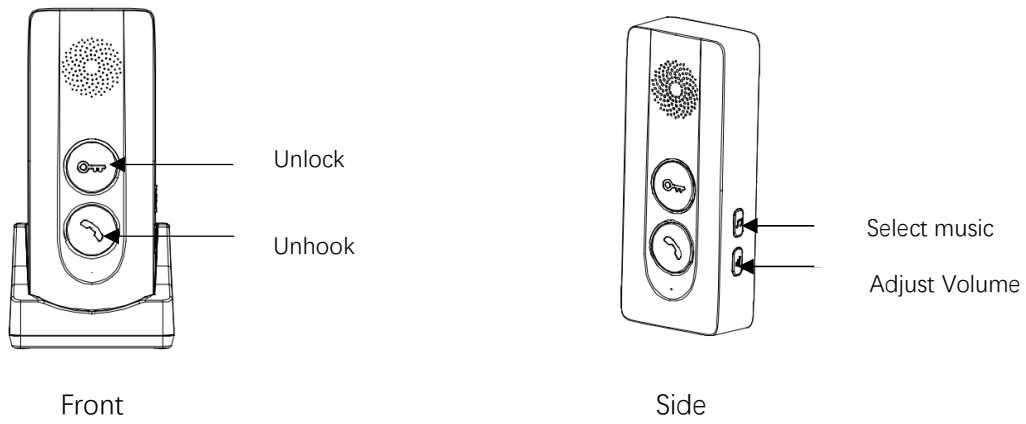
1. Paste the 3M adhesive sticker on the back of the unlocking device
2. Stick the unlocking device on the door or wall

Device Functions and Operation Guidelines

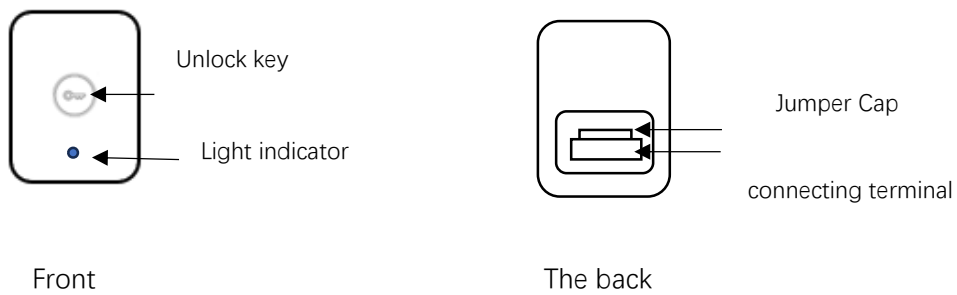
Outdoor



Indoor unit

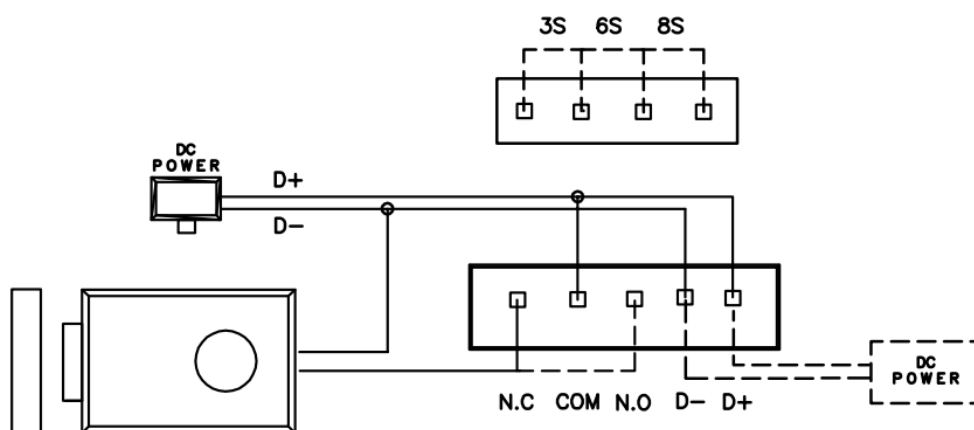


Unlocking device



Wiring diagram of unlocking device

Unlock hold time adjustment cap

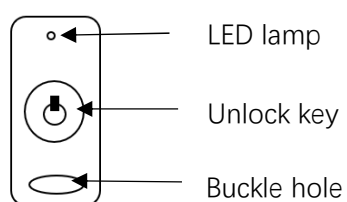


Electric lock (magnetic lock)

Power supply of unlocking device: DC5~40V/AC9~40V

Note: The unlocking device can be connected to the electric lock power supply in parallel

Remote key (optional)





Instructions for use

Call function


The visitor presses the outdoor unit call button (🔔), the indoor unit plays a music bell, and the host presses the indoor unit off-hook button (📞) to talk to the visitor.

In standby mode, press the disconnect button (📞) for the indoor unit, and other indoor units will sound a music bell. Press the disconnect button (📞) to talk back.


Unlock function (requires optional unlocking device)

1. In the call intercom state, press the indoor unit unlock button () to unlock the electronic lock and end the intercom.
2. Press the unlock button () of unlocking device to unlock when going out .

Ringtone tones

Tap the ringtone selection button() on the side of the indoor unit to select a ringtone, with 38 ringtones available

Ringtone volume set up

Gently press the volume selection button() on the side of the indoor unit to adjust the ringtone volume, which has 4 adjustable levels.

Charge indicator

Outdoor unit: Call button light flashes quickly when charging

Indoor unit: unlocking key light flashes quickly when charging

Outdoor and indoor units: When fully charged, all lights do not light up


Low battery indication:


Outdoor unit: When calling, the call button light flashes

Indoor unit: When calling or being called, the off-hook button light flashes

Code pairing operation (already paired at the factory before shipping)

Enter pairing settings

Outdoor unit: Press and hold the call button (), then power on the device until the "Didi" sounds twice and call button light remains on, enter pairing mode

Indoor unit: Press and hold the off-hook button () until "Didi" sounds twice, and the unlock button light flashes, enter pairing mode

Product pairing

1. Any device (indoor or outdoor units) enters pairing mode firstly, this device is the host for this code pairing and will automatically encode the code. After pairing code successfully, it will sound "Didi" twice and flash the light three times, and the device will automatically switch to code sending mode.
2. Other devices enter pairing mode one by one, sound "Didi" twice and flash three times to

automatically exit after successful pairing

3. After all devices are paired, press the call/off-hook button on the host device to manually exit the pairing mode.

unlocking Pairing

1. Press and hold the unlock button (🔓), then power on the device until the light flashes, entering pairing mode.
2. The doorbell outdoor unit calls the indoor unit. After answering, the indoor unit presses the unlock button (🔓), and the unlock light pauses flashing (blue light). At this time, pairing is successful, and the unlock light continues to flash. Press the unlock button (🔓) to exit pairing mode.

Note: 1. This intercom system supports maximum of 5 devices

2. Pairing code operation is not required if it is unnecessary

Electrical parameters

Outdoor

| | |
|-----------------------|-----------------------|
| Battery | 18650 lithium battery |
| Charging power supply | DC 5V |
| Standby current | < 130uA |
| Working current | < 350mA |
| Radio frequency | 425~440MHz |
| Wireless distance | ≤ 800m (open space) |
| Operation temperature | -18~50°C |
| Protection grade | IP55 |
| Dimension | 135x58x30mm |

Indoor unit

| | |
|-----------------------|-----------------------|
| Battery | 18650 lithium battery |
| Charging power supply | DC 5V |
| Standby current | < 800uA |
| Working current | < 350mA |
| Radio frequency | 425~440MHz |
| Wireless distance | ≤ 800m (open space) |
| Operation temperature | -10~40°C |
| Dimension | 129x53x23mm |

Unlocking device (optional)

| | |
|-----------------------|---------------------|
| Power supply | DC 5~40V/AC9~40V |
| Standby current | < 1mA |
| Working current | < 80mA |
| Wireless distance | ≤ 100m (open space) |
| Radio frequency | 433MHz |
| Operation temperature | -20~60°C |
| Dimension | 59x 39x40mm |

FCC Warning

This device complies with part 15 of the FCC rules. Operation is subject to the following two conditions: (1) this device may not cause harmful interference, and (2) this device must accept any interference received, including interference that may cause undesired operation.

Changes or modifications not expressly approved by the party responsible for compliance could void the user's authority to operate the equipment.

NOTE: This equipment has been tested and found to comply with the limits for a Class B digital device, pursuant to part 15 of the FCC Rules. These limits are designed to provide reasonable protection against harmful interference in a residential installation. This equipment generates uses and can radiate radio frequency energy and, if not installed and used in accordance with the instructions, may cause harmful interference to radio communications. However, there is no guarantee that interference will not occur in a particular installation. If this equipment does cause harmful interference to radio or television reception, which can be determined by turning the equipment off and on, the user is encouraged to try to correct the interference by one or more of the following measures:

- Reorient or relocate the receiving antenna.
- Increase the separation between the equipment and receiver.
- Connect the equipment into an outlet on a circuit different from that to which the receiver is connected.
- Consult the dealer or an experienced radio/TV technician for help.

Radiation Exposure Statement

This equipment complies with FCC radiation exposure limits set forth for an uncontrolled environment. This equipment should be installed and operated with minimum distance 20cm between the radiator and your body.