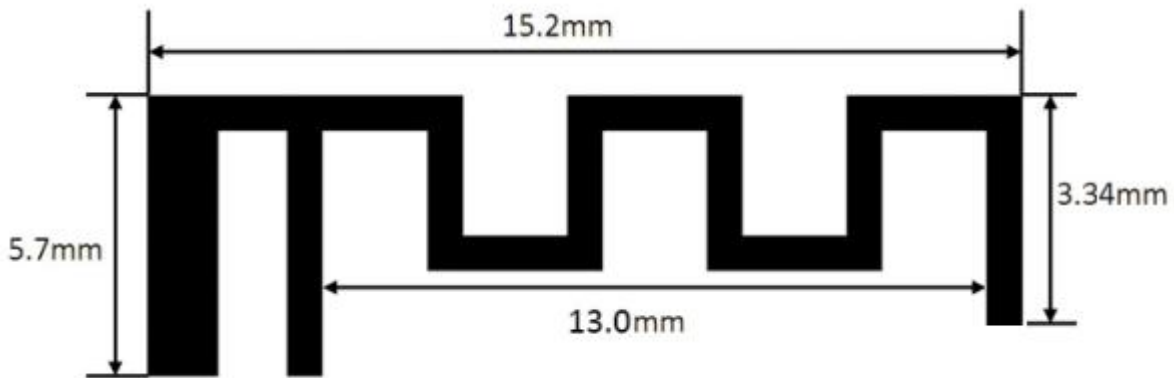


# Antenna spec

## Antenna Description:

Model	2.4G ANT
Antenna type	PCB antenna
Frequency range	2400MHz~2500MHz
Polarization	Horizontal and Vertical
Azimuth Beam Pattern	Omni-directional
Impedance	50 Ohm
Manufacturer	ZHUHAI JIELI TECHNOLOGY CO..LTD
Address	Room 701-3, seventh floor, Chengfeng Daxia, 833 Renmin Road, Xiangzhou District, Zhuhai

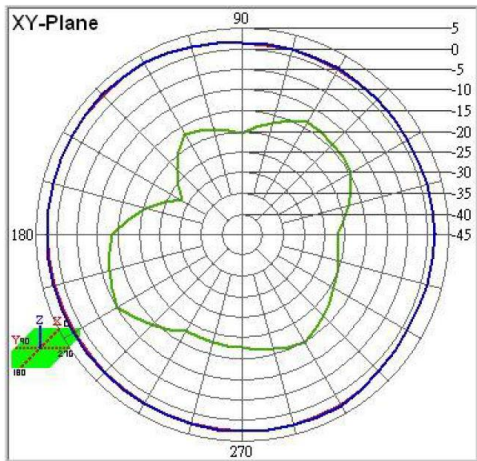
## Antenna Photo (mm):



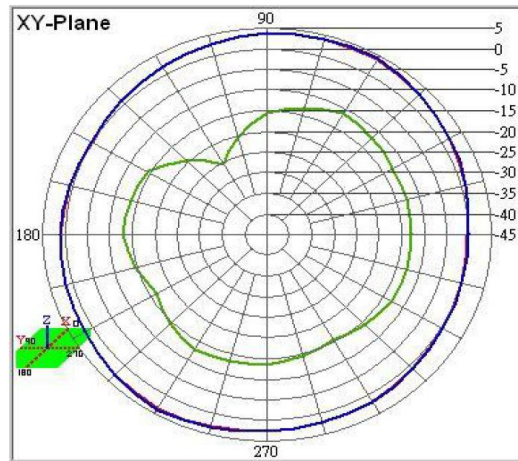
## Antenna Efficiency and Gain:

Frequency(MHz)	2400	2440	2480
Efficiency (%)	43.68	48.05	52.71
PEAK Gain(dBi)	-0.97	-0.74	-0.52

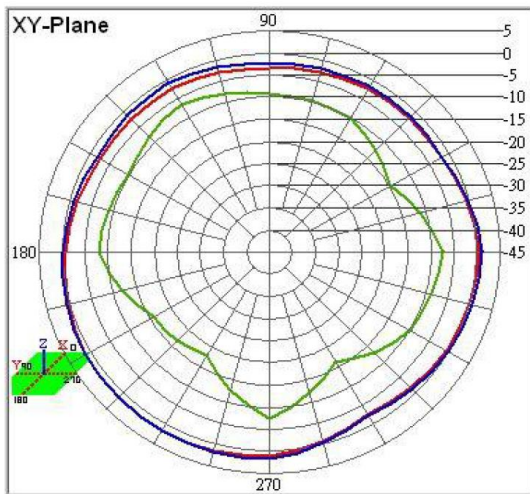
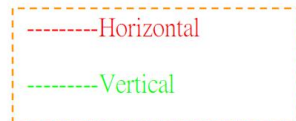
# Radiation Pattern:



2.402 GHz



2.440 GHz



2.480 GHz

