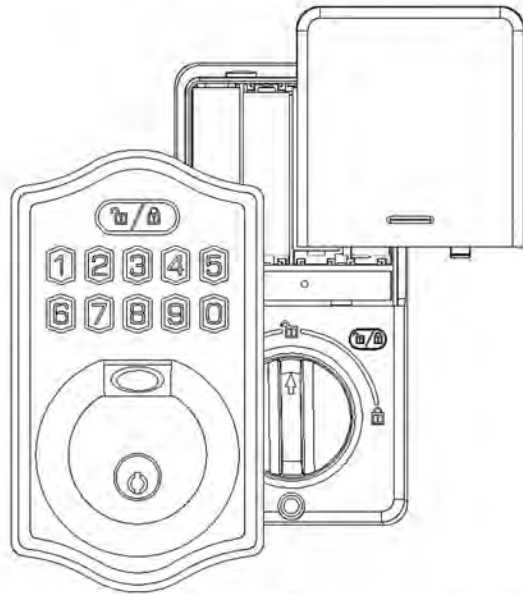


smart lock

APP Bluetooth version



Tuya smart



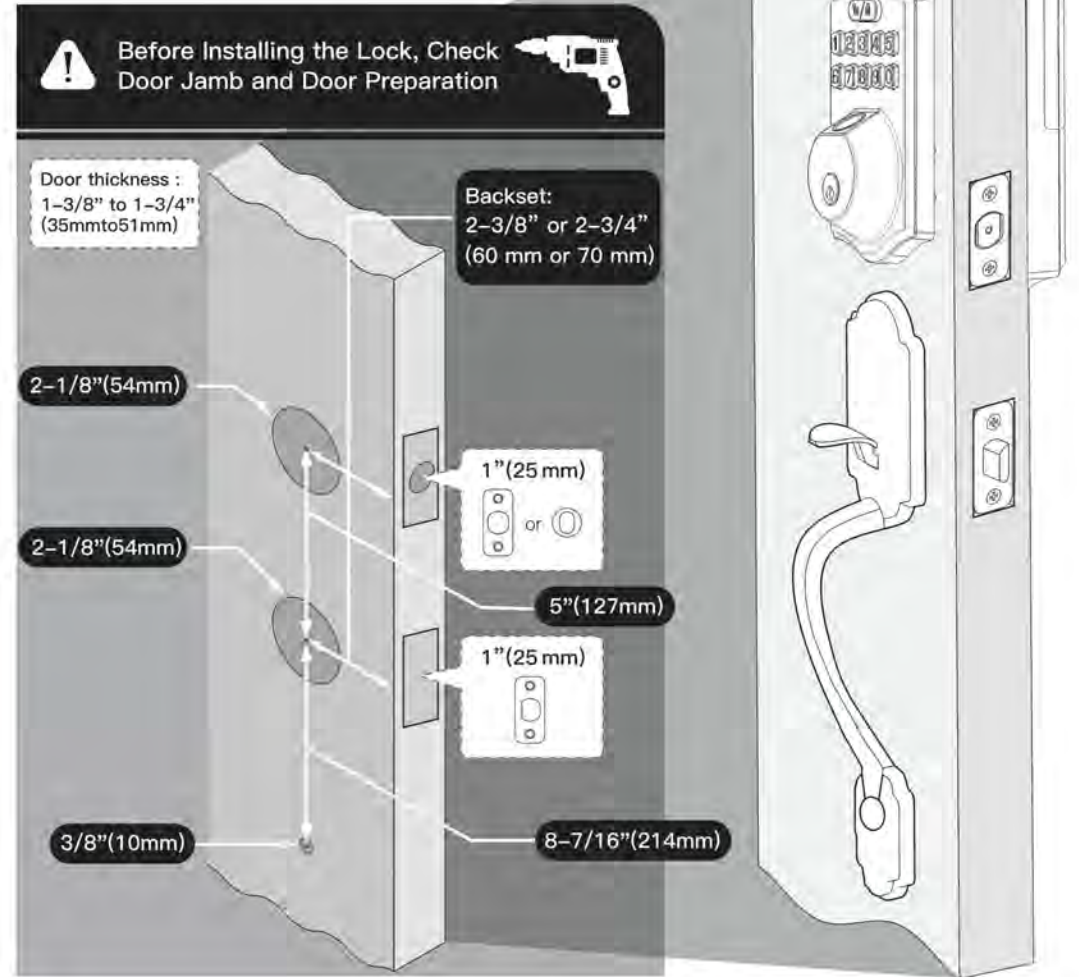
Smart Lock installation tutorial



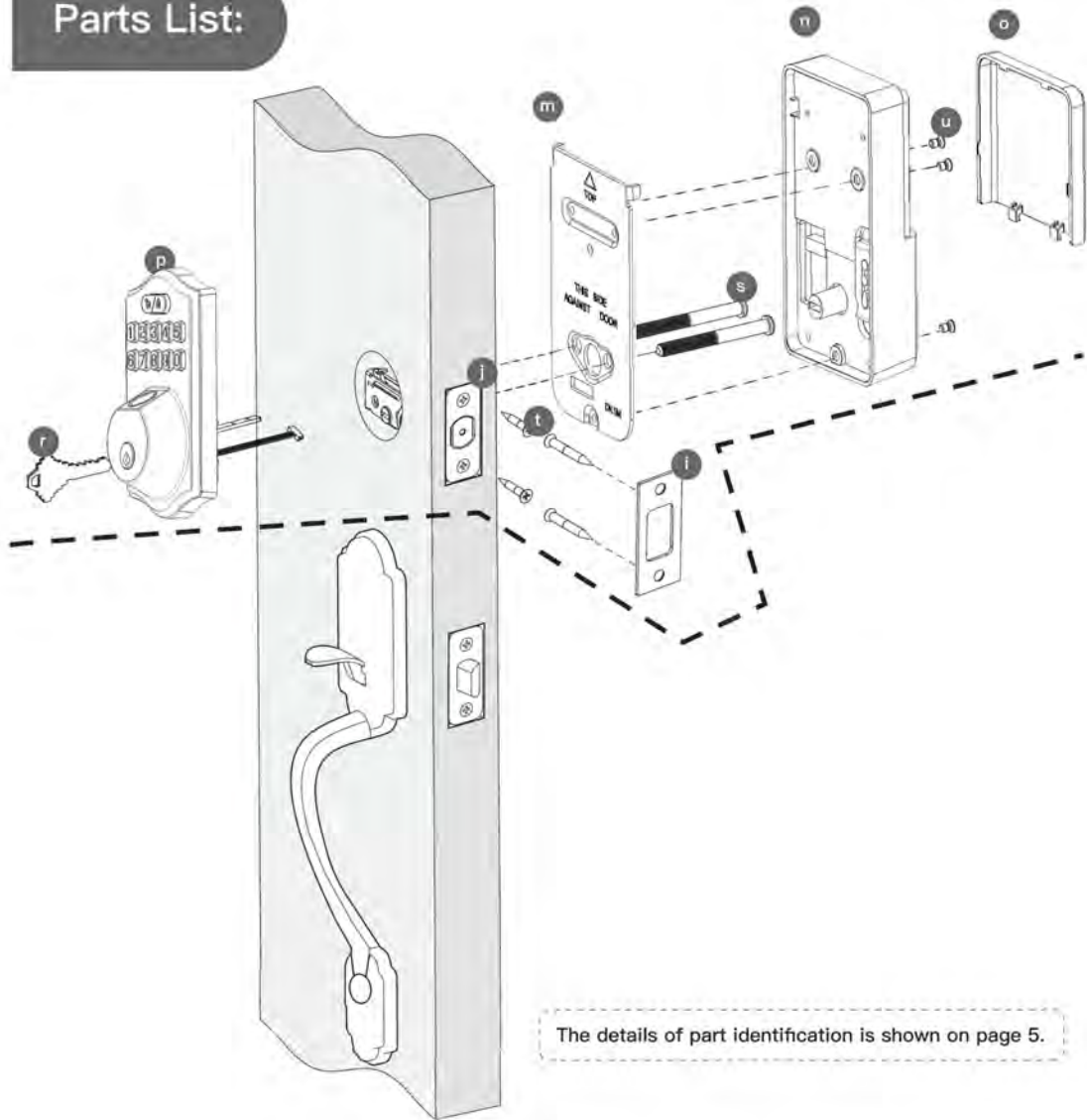
Tuya Smart Lock Setup Tutorial



Scan the code to Download Tuya App

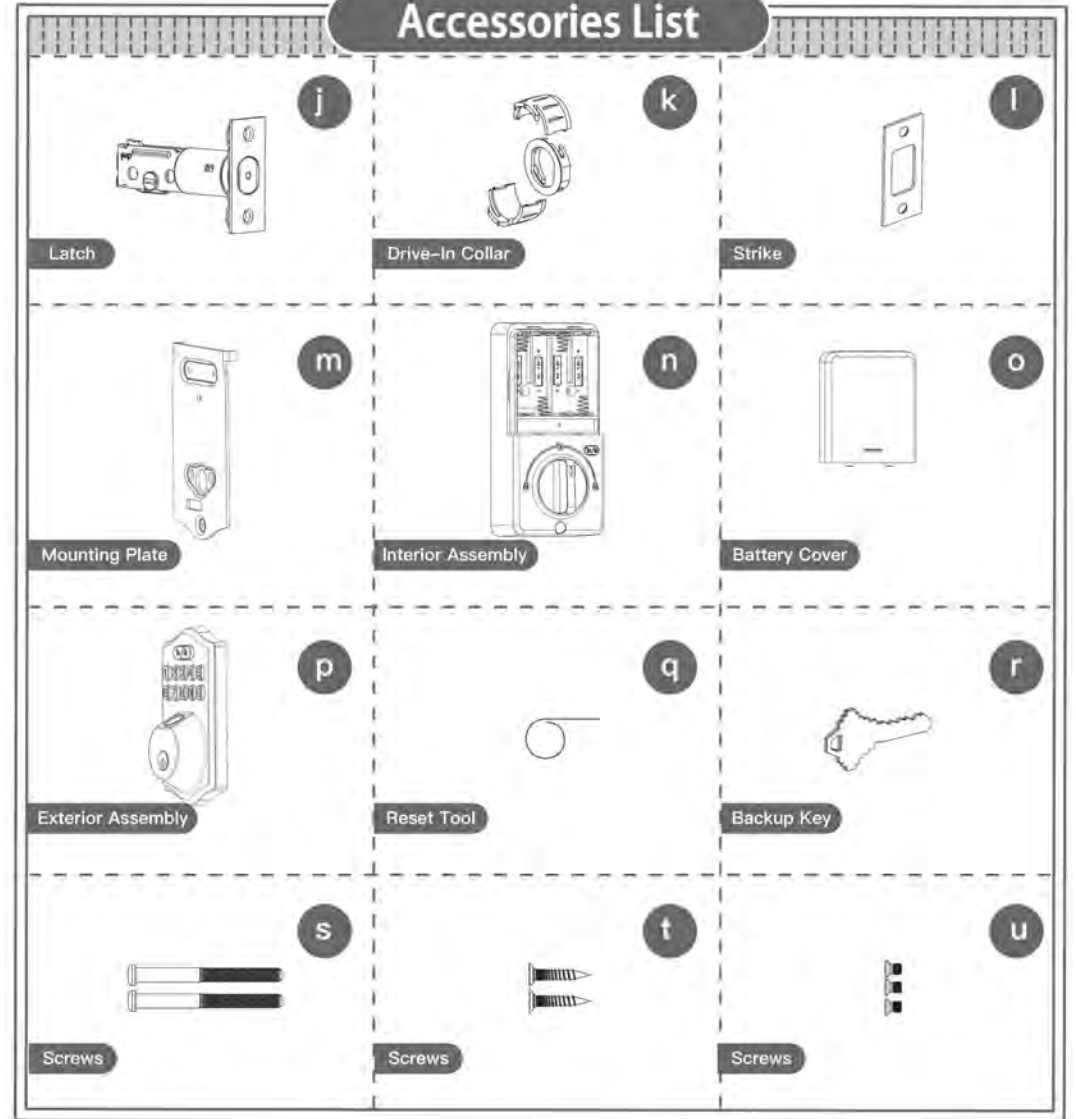


Parts List:

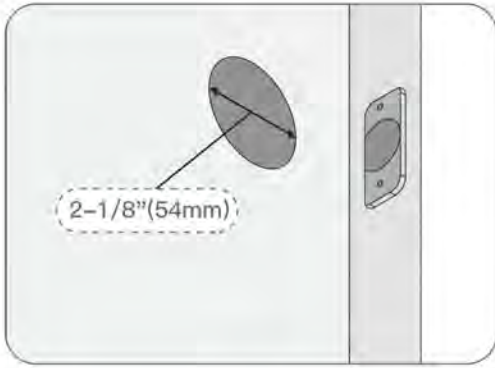


The details of part identification is shown on page 5.

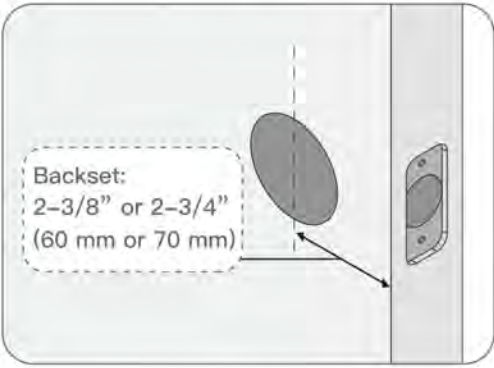
Accessories List



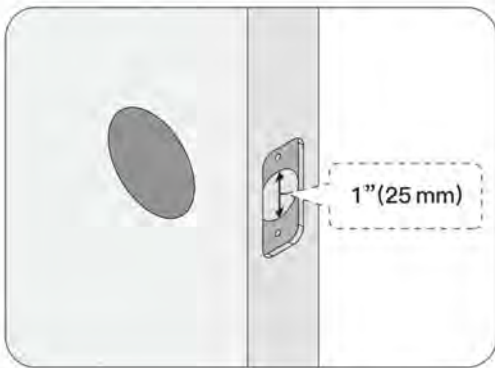
1. Prepare the door and check dimensions



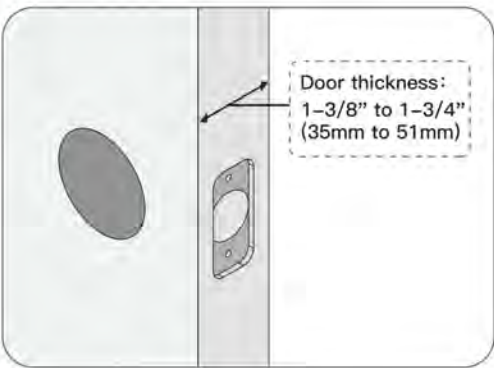
Measure to confirm that the hole in the door is 2-1/8" (54mm).



Measure to confirm that the backset is either 2-3/8" or 2-3/4" (60 or 70mm).

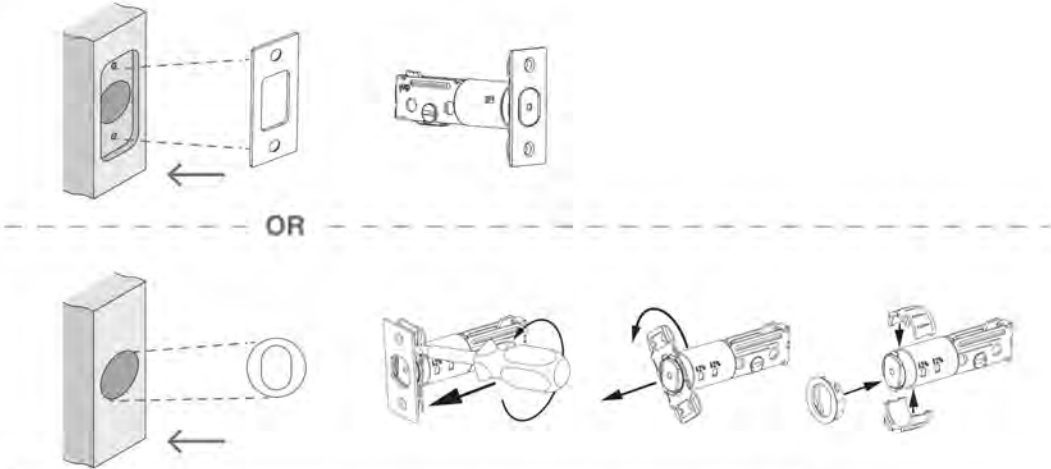


Measure to confirm that the hole in the door is 1" (25mm).

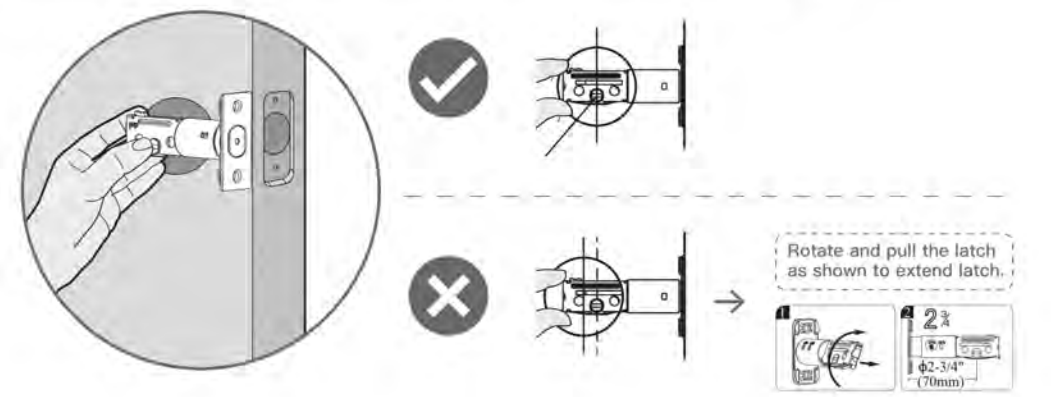


Measure to confirm that door thickness is between 1-3/8" and 1-3/4" (35 to 51mm).

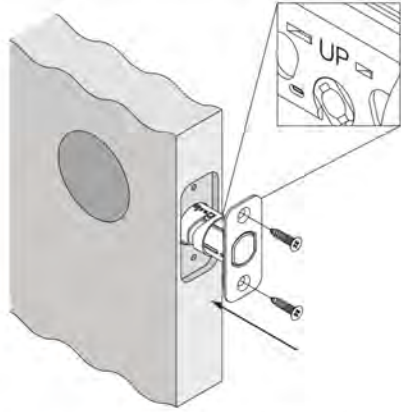
2. Choose faceplate



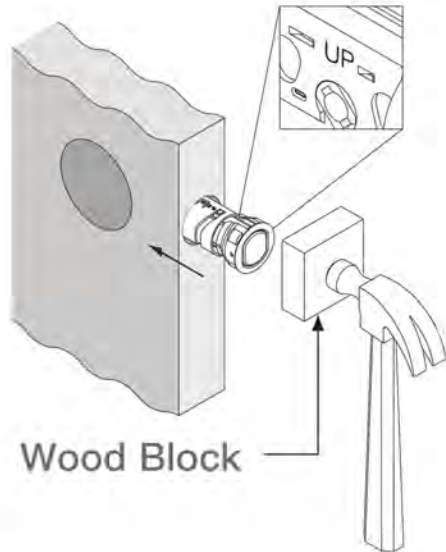
Is the slotted hole centered in the door hole?



3. Install latch and deadbolt

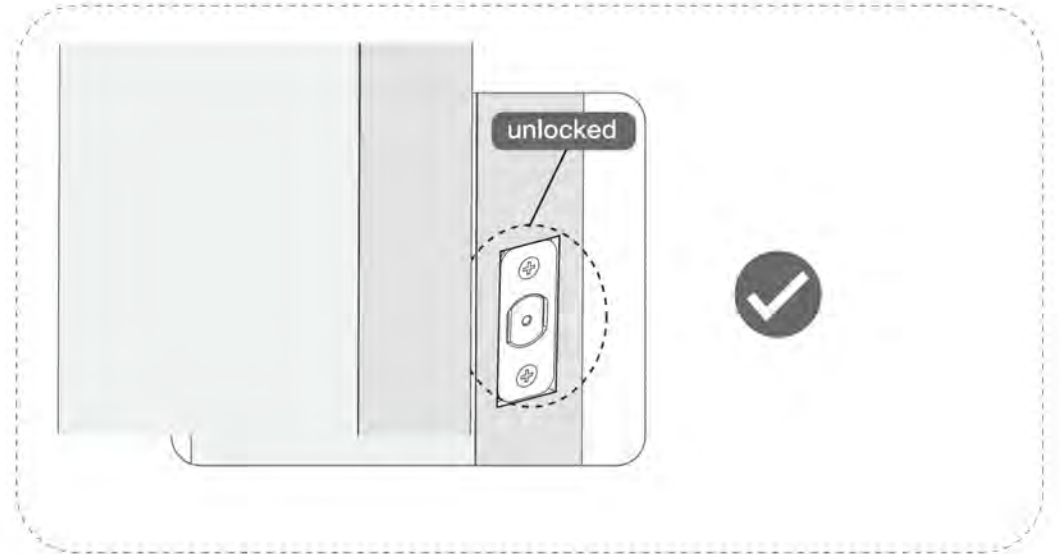
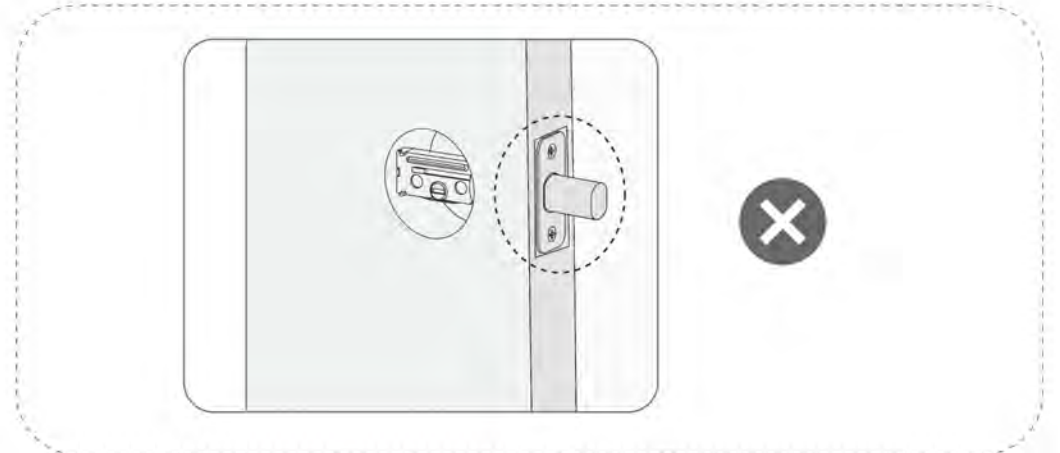


OR



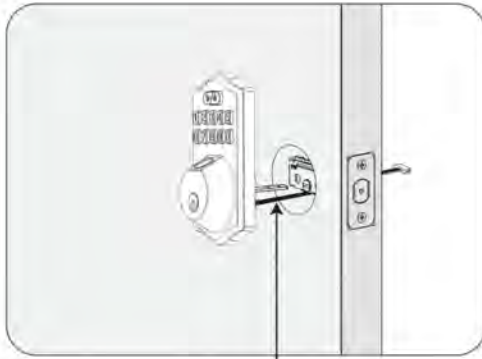
7

! IMPORTANT: Keep the latch in unlocked position before installation.

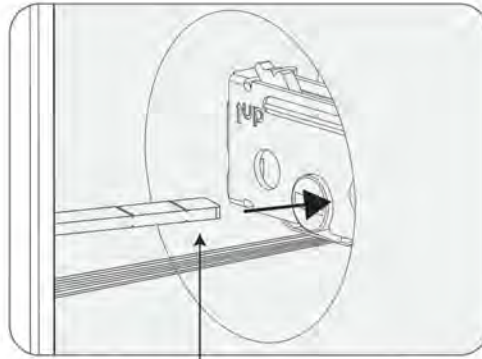


8

4. Install exterior assembly

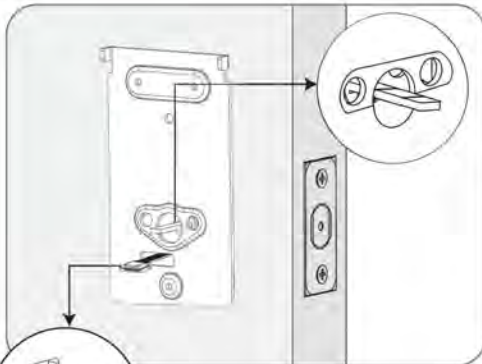


Route the cable below the latch.

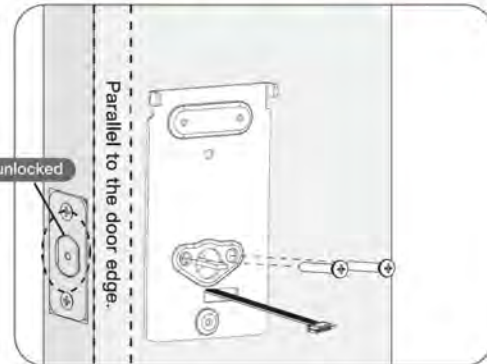


IMPORTANT: Bolt must be in unlock position. Note horizontal orientation of torque blade.

IMPORTANT: When the door thickness is narrow, the blade should be cut short



Route the cable through the hole in the mounting plate.

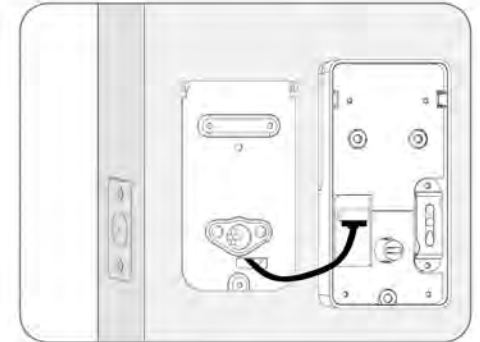


Secure the mounting plate with the supplied screws.

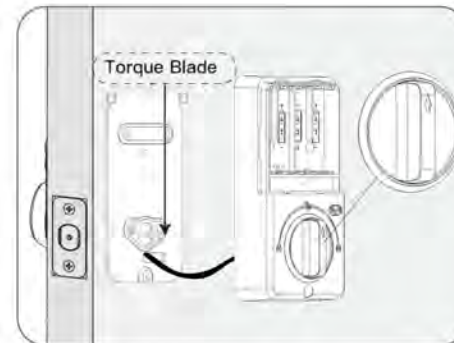
5. Install interior assembly Do not load batteries until lock is completely installed.



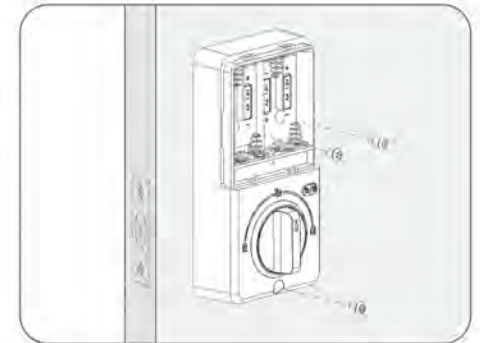
Remove the battery cover.



Connect the cable and ensure tight cable connection.



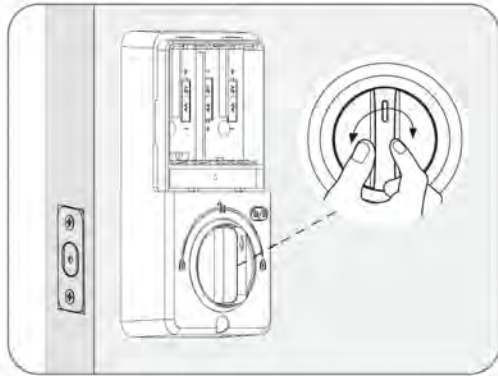
Rotate the Thumb turn in vertical position and insert the horizontal orientation of torque blade into the inside escutcheon.



Secure the interior assembly with the supplied screws.

5. Install interior assembly

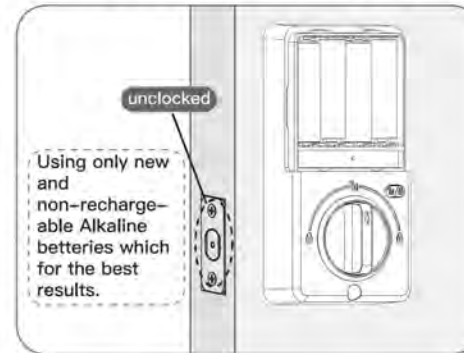
⚠ Do not load batteries until lock is completely installed.



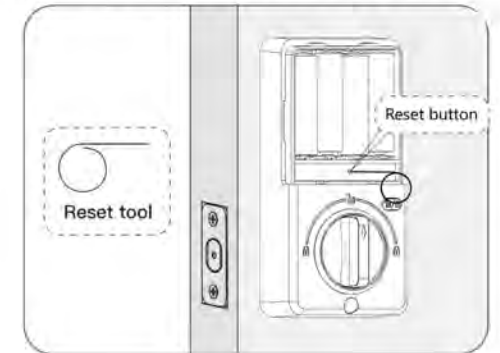
Test the lock by rotating the thumb turn to see if the bolt can be extended and retracted smoothly.

6. Detect left/right hand door installation

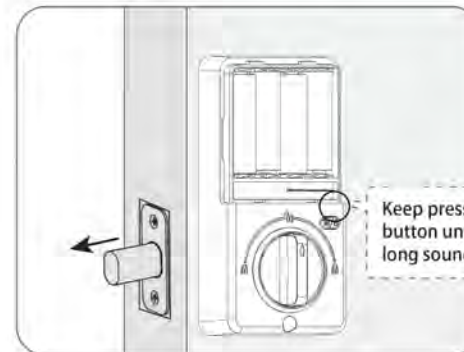
⚠ **IMPORTANT:** This step is required and crucial for the lock after installation!



While the door is open and unlocked, load 4 AA batteries into the interior assembly.

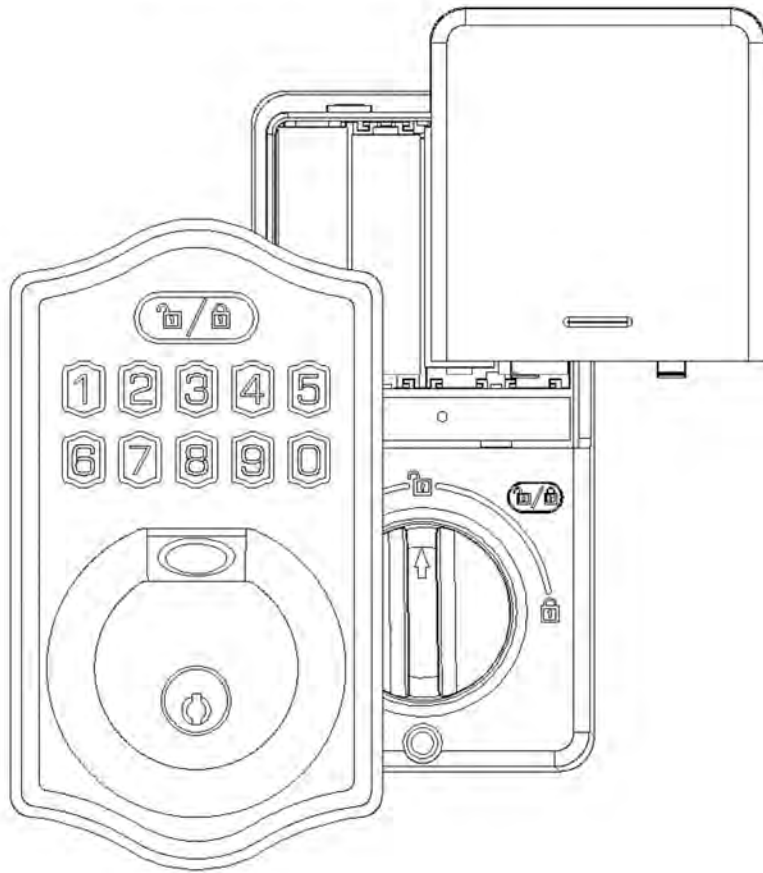


2. Press and hold the reset button on the interior assembly using the reset tool provided in the package.



Press and hold the reset button for 3 seconds, until you hear the long sound of "BEEP", the latch bolt will extend to learn the orientation of the door.








Programming Instructions



Information and safety warnings Do not load batteries until lock is completely installed.

- Protect your user codes and master code.
- Restrict access to your lock's interior assembly and routinely check your settings to ensure they have not been altered without your knowledge.
- This lockset is designed to provide the highest standard of product quality and performance. Care should be taken to ensure a long-lasting finish. When cleaning is required use a soft and damp cloth. Using lacquer thinner, caustic soaps, abrasive cleaners or polishes could damage the coating and result in tarnishing.

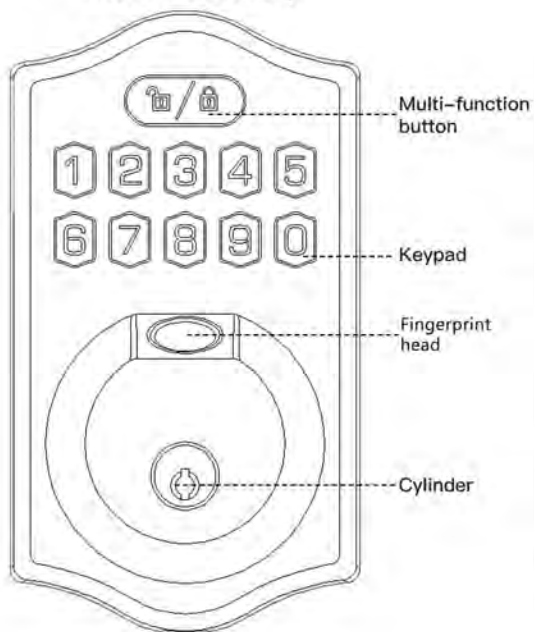
1. Master PIN Code (8-10 digits): The default master pin code is "12345678". It is required that you change it to a code of your own before programming.
2. The main PIN code can be changed on the mobile app or individually on the door lock. (We suggest binding the door lock to the phone first, and then setting a new master PIN code on the app for use when setting the door lock)
3. User PIN code (8-10 digits): A total of 100 user codes and 100 fingerprint users (as well as a temporary one-time user code) can be programmed.
4. Both master and user PIN codes don't support the following combination of numbers.

- | | | | | | | | | | | | | |
|----|---|---|---|---|---|---|---|---|---|--|--------------------------|---|
| A. | 1 | 2 | 3 | 4 | 5 | 6 | 7 | 8 | 9 |  | Forward number sequence | |
| B. | 9 | 8 | 7 | 6 | 5 | 4 | 3 | 2 | 1 |  | Backward number sequence | |
| C. | 2 | 2 | 2 | 2 | 2 | 2 | 2 | 2 | 2 |  | Repeat number sequence | |
| D. | 9 | 9 | 2 | 6 | 5 | 6 | 8 | 3 |  |  Contain existing code sequence | | |
| | 9 | 9 | 2 | 6 | 5 | 6 | 8 | 3 | 9 | | 1 |  |
| | 9 | 1 | 9 | 9 | 2 | 6 | 5 | 6 | 8 | | 3 |  |

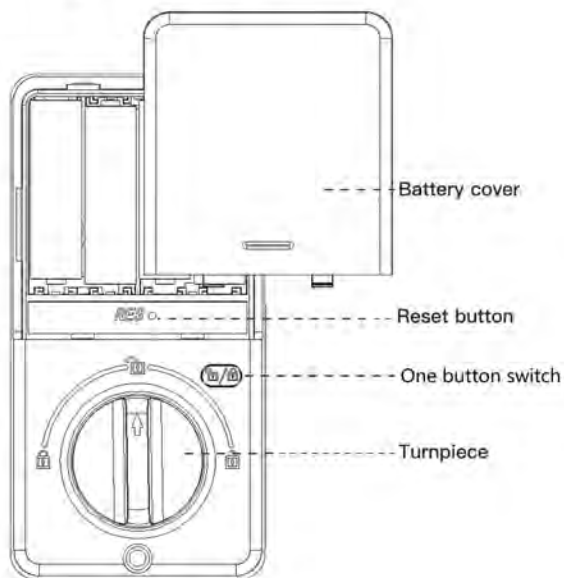
Parts illustrations The default master code is 12345678. It's required that you change it to a code of your own before programming.

ITEM	SPECIFICATIONS	REMARKS
Battery (Using only new and non-rechargeable Alkaline batteries which for the best results.)	AA alkaline battery x4 (Operation voltage:4.6-6.0V)	Last up to one year (10 times open/close per day)

Exterior assembly



interior assembly



Definitions

Master code:

Required for programming and feature settings. Master code can be used to unlock the door under vacation mode. The default master code needs to be changed before programming. (Property owner/manager should keep this information confidential.)

Auto lock:

Automatically locks the deadbolt 30 seconds after unlocking. This feature is off by default. You can set the Auto lock delay between 1 and 99 seconds.

Wrong entry limit:

After 10 unsuccessful attempts at entering a valid PIN code, the unit will shut down for 3 minutes.

Silent mode:

The beep sounds when pressing keypad can be muted. But you will still hear low battery and system alerts.

Vacation mode:

This is a security feature for you when you are leaving your home for vacation or long trip. Enabling vacation mode will restrict all user codes until master code is entered on keypad. If the lock is unlocked by thumb turn, the lock will sound an alarm.

One time user code:

This code can only be used once and is automatically deleted when used.

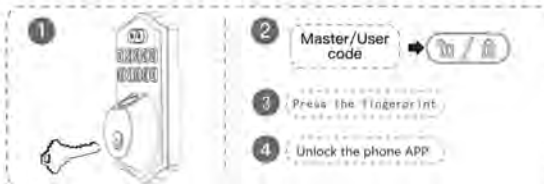
Unlock with fake code:

User can prevent PIN code exposure strangers by entering random digits before or after PIN code.

83618 137192 14710
 PASSWORD
 RANDOM DIGITS

How to use?

Unlock the door from outside



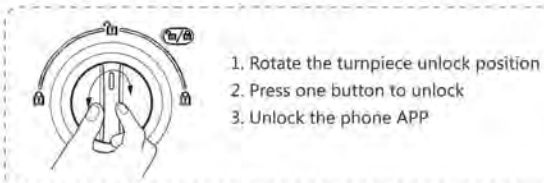
Lock the door from outside

Auto re-lock mode
 In auto re-lock mode, the bolt will extend out automatically in 30 seconds after unlocking.

Manual mode

1. Press the key on the keyboard
2. Turn off the lock with an APP

Unlock the door from inside



Lock the door from inside

Auto re-lock mode
 In auto re-lock mode, the device will be automatically.

Manual mode

1. Rotate the turnpiece to lock position
2. Press a button to close the lock
3. Turn off the lock with an APP

Factory default settings

SETTINGS	FACTORY DEFAULT
Master code	12345678
Auto lock	Disabled
Silent mode	Disabled
Wrong code entry limit	10 times
Shutdown time	3 mins
Vacation mode	Disabled

Restore factory default settings



This procedure will delete all user codes which associated with the lock.

1. keep the door opening and unlocking;
2. Hold down the reset button, hear 3 "Drip" sound after release, lock tongue will open automatically, hear a long "Drip" sound. Can be restored factory settings

Troubleshooting

· The turnpiece can't rotate or operate the lock?

Remove and re-install the lock, making sure that the turnpiece is in vertical position.

· The lock can't be locked or unlocked by keypad?

Make sure that the codes are not disabled. If needed, restore the lock's default settings.

· The keypad doesn't respond when touched (no lights are visible and no beeping is heard)?

Make sure the cables are properly connected, and make sure the batteries are new installed correctly.

· After the installation of batteries, there is no response when you press any button and no beeps are heard.

Check the cable connection and the polarity of the batteries. also make sure the batteries are not dead.

· Forget your master codes?

Perform a reset in order to erase all passcodes. Once the reset is complete, all passcodes will be erased and the master code will return to the default value(12345678).

Mobile APP Settings Tutorial

1. Download the app

Search and download and install "Tuya Smart" in the app market



2. Registered users

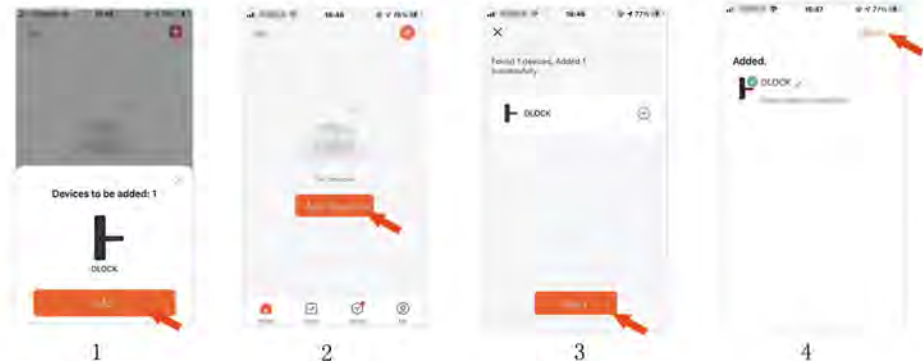
Turn on the Bluetooth function of your phone, open the Tuya app, and register a user



3. Add a door lock (Turn on Bluetooth function on your phone)

a: Before adding any administrators, after opening the app, the phone will automatically pop up the device to be added as shown in Figure 1 or click "Add Device" as shown in Figure 2. After waiting for a few seconds, it will appear as shown in Figure 3, and at the same time, the door lock will emit a "beep" sound. Click "Next" to confirm, and then click "Finish" according to the interface shown in Figure 4. The door lock was successfully added, and the phone is now the door lock administrator.

b: If the administrator password has been set on the door lock, and the phone cannot automatically detect the door lock, you need to "press the number 0+ (🔑/🔒) + administrator password+ (🔑/🔒)" on the door lock, and the phone can discover the door lock. Then, follow step a to operate



IMPORTANT TIPS:

After the mobile phone successfully binds the door lock, the mobile phone has become the administrator identity, the default main code "12345678" has failed. Need to set a new administrator code on the APP, (the first number password set on the APP is the administrator code) . You can change the settings on the door lock later through the Administrator Code set on the APP.

4. Add user and fingerprint, password

a. Add members

As shown in figure 5 below, click on the added locks to enter the lock Operation Interface, as shown in Figure 6 below, click on "Membership management" to enter the interface of Figure 7, click on the top right corner "+" can be prompted to add the management of the door lock operators.



5



6

b. add fingerprints, passwords, swipe

As shown in figure 7, click "I", as shown in figure 8, click "Add", according to the prompt for fingerprint, password, card input settings. Password set 8-10 digits



7



8

5. Mobile phone unlock

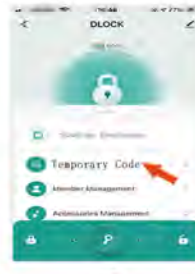
As shown in Figure 9 below, hold down the key button below and drag it to the right to unlock.



9

6. Temporary password

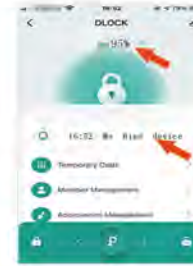
As shown in Figure 10 below, click "Temporary Password" and follow the prompts to set and share a time password.



10

7. Power and record

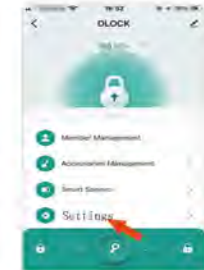
After waking up the door lock, you can display the battery level of the door lock and view the unlocking record on the mobile phone, as shown in Figure 11 below



11

8. Other function settings

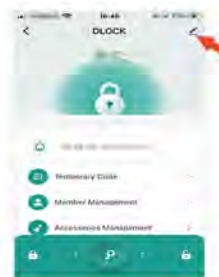
As shown in Figure 12 below, click "Settings" to enter the function menu to set more functions such as "normally open mode, mute" and so on.



12

9. Restore factory settings

a: Click the button in the upper right corner as shown in Figure 13 below, then click "Remove Device" as shown in Figure 14 below, and then click "Unbind and Clear Data" to restore the factory successfully.

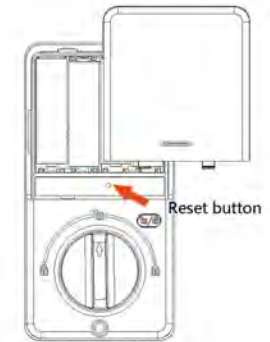


13



14

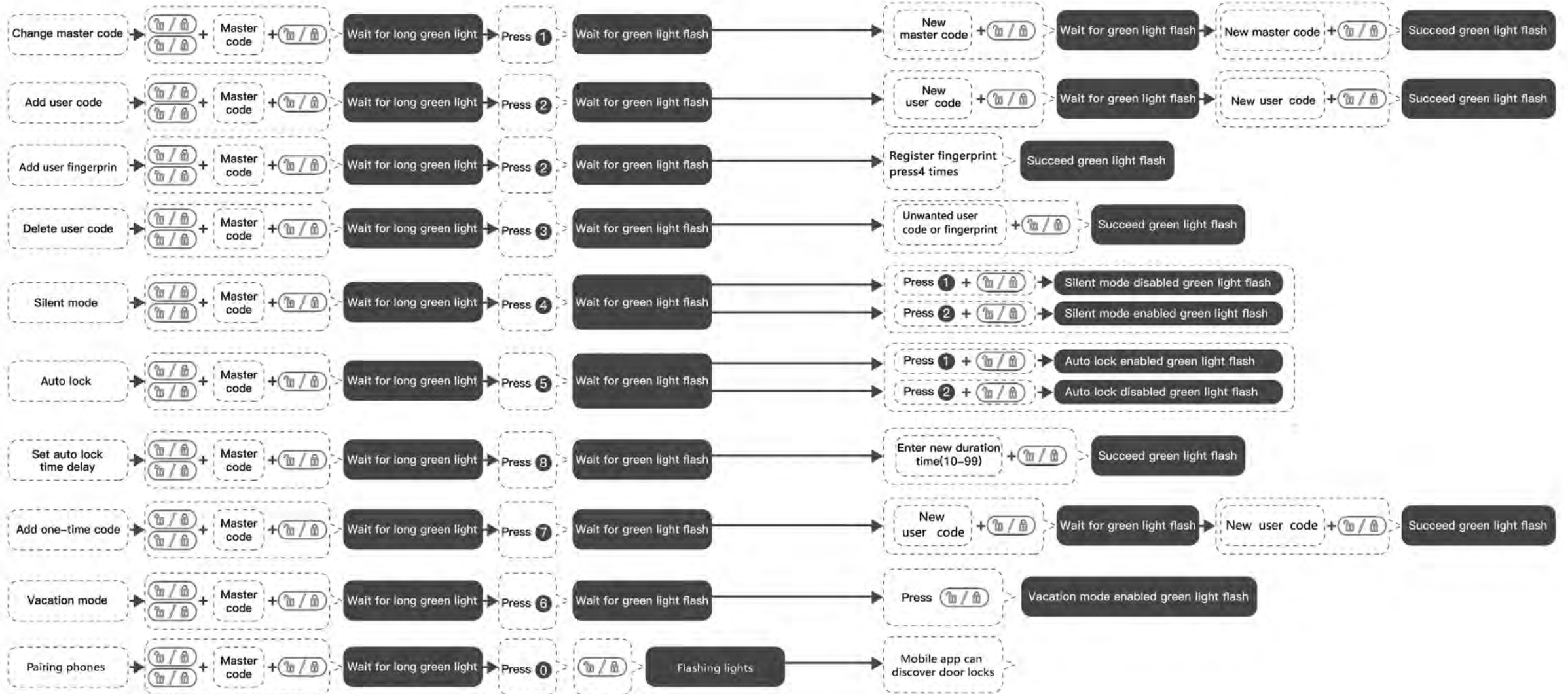
b: Keep the lock open. Hold down the reset button, hear 3 "Drip" sound after release, lock tongue will open automatically, hear a long "Drip" sound. Can be restored factory settings



Quick set up

! The default master code is 12345678. It's required that you change it to a code of your own before programming.

! When setting is unsuccessful, the indicator light will flash red.



This device complies with part 15 of the FCC Rules. Operation is subject to the following two conditions: (1) This device may not cause harmful interference, and (2) this device must accept any interference received, including interference that may cause undesired operation.

Any Changes or modifications not expressly approved by the party responsible for compliance could void the user's authority to operate the equipment.

Note: This equipment has been tested and found to comply with the limits for a Class B digital device, pursuant to part 15 of the FCC Rules. These limits are designed to provide reasonable protection against harmful interference in a residential installation. This equipment generates uses and can radiate radio frequency energy and, if not installed and used in accordance with the instructions, may cause harmful interference to radio communications. However, there is no guarantee that interference will not occur in a particular installation. If this equipment does cause harmful interference to radio or television reception, which can be determined by turning the equipment off and on, the user is encouraged to try to correct the interference by one or more of the following measures:

- Reorient or relocate the receiving antenna.
- Increase the separation between the equipment and receiver.
- Connect the equipment into an outlet on a circuit different from that to which the receiver is connected.
- Consult the dealer or an experienced radio/TV technician for help.

FCC Radiation Exposure statement

The device has been evaluatec to meel general RF exposure requirement. The device can be used in porlable exposure condition without restriction.