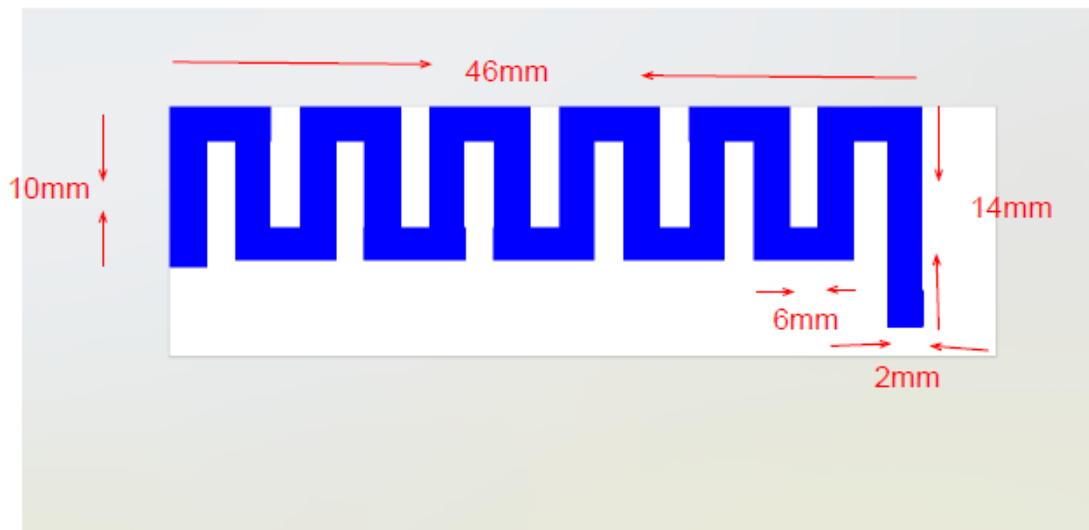


Antenna Specification

Summary

ITEM	ANT SPEC
Model Name	2.4G ANT
MAX. Gain	1.21dBi
Polarization	Horizontal and Vertical
Azimuth Beam Pattern	Omni-directional
Impedance	50 Ohm
Antenna Length	46mm
Manufacture	Fujian Province Jinboli hardware technology Co., LTD



Frequency	Gain(dBi)
2400MHz	0.45
2410MHz	0.34
2420MHz	1.06
2430MHz	0.62
2440MHz	0.25
2450MHz	1.21
2460MHz	1.06
2470MHz	1.15
2480MHz	0.21
2490MHz	0.81
2500MHz	0.33