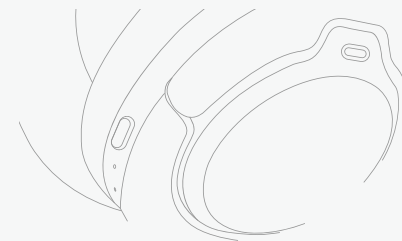


Wireless Headphones

INSTRUCTIONS

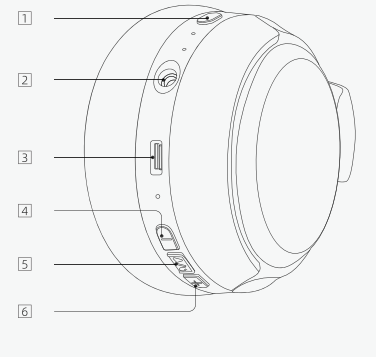


EL-GT1

使用前請仔細閱讀說明書並妥善保管，以備參閱。
Please read the instructions carefully before use and keep them in a safe place for future reference.

Please read this instruction manual carefully before using the product and keep it properly

INSTRUCTION



- 1 "ANC" button
- 2 External mic interface
- 3 Charging interface (Type-c)
- 4 "-" button
- 5 "ANC" button
- 6 "+" button

HOW TO CONNECT

When using the the headphones for the first time, pair the device.

Before pairing, check the following:

- Place the connected device within 1 m of the headphones.
- The headphones are fully charged.

Pairing

- Press and hold the power button "ANC" for 2 seconds, When you hear the prompt sound, the power is on
- Open the Bluetooth interface of the mobile phone, search for "EL-GT1", click to connect.

phone with a connection record, there is no need to pair repeatedly.

- Re-pairing: When the headset is off, press and hold the power button "ANC" for 5 seconds to clear the Bluetooth pairing record.

If necessary, turn off the headphones and repeat the steps above to reconnect

HEADSET CONTROLS

Turn on and Turn off

- Turn on: Press and hold the power button "ANC" for 2 seconds, and a prompt tone appears
- Turn off: Press and hold the power button "ANC" for 3 seconds, and a prompt tone appears

Re-pairing

Press and hold the power button "ANC" for 5 seconds in the power-off state to force into pairing, the indicator flashes white and green alternately

Normal/ANC/Transparency mode

- Normal mode: Normal, no need to click any buttons
- ANC mode: Click the "ANC" key to sound a prompt sound
- Transparency mode: Click the "ANC" key to sound a prompt sound

All three modes are cycled through by the "ANC" key
Only normal mode can be used when making phone call

Media operations

Increase the volume	Short press the "+" button to increase the volume
Lower the volume	Short press the "-" button to decrease the volume
Previous song	Press and hold the "-" button for 2 seconds
Next song	Press and hold the "+" button for 2 seconds
Play	Click the power key "ANC"
Time out	Click the power key "ANC"
Voice assistant	Double-click the power button "ANC"
Quit the voice assistant	Double-click the power button "ANC"

Game mode

- Turn on: Double-click the "ANC" button and a prompt sound appears
- Turn off: Double-click the "ANC" button and a prompt sound appears

Call with actions

- Answer an incoming call: Short press the power button "ANC"
- Reject a call: Press and hold the power button for 2 seconds "ANC"

Hang up the phone: Short press the power button once "ANC"

LED indicator status

The LED indicator is located on the left, which shows the status of the headset

Power on state	If the pairing is not successful, the white and green lights alternately flashing, and if is successful, the light turns off
Off state	The indicator light stays white and turns off after 2 seconds
Charing statu	White lights are always on
Full charge status	White lights off

External microphone interface

After the microphone is connected, it automatically switches to a higher and clearer call sound.

The audio cable iinterface

Plugged into the Type-C audio cable interface, and the bluetooth function is automatically turned off, switching to Aux-in playback.

PRODUCT INTRODUCTION

Product name	Wireless Headphones
model	EL-GT1
Input voltage	DC 5V
Charging interface:	Type-C
Charging time	2hrs
Bluetooth version	5.4
Input current	500mA
Battery capacity	1000mAh+NTC
ANC effect	25db
Drive	40mm
Impedance	16Ω
Usage frequency range	2.4G-2.48G
Power level	CLASS1
Support agreements	a2dp\avctp\avdtp\avrcp\hfp\ spp\ smp\ att\ gap\ gatt\ rfcmm\ sdp\ l2cap profile
Charging power source	5V 1A
Packaging	Bluetooth Headset Body (1) Type-C Charging Cable (1) Instruction Manual (1) Microphone (1)

Do not use the fast charging plug

Compatible with IOS, Android smart phones, other electronics with bluetooth

PRODUCTION DESCRIPTION

Volume adjustment In Android and Apple system, Apple system can adjust the volume of the phone simultaneously through the headset, while the volume of the headset and the phone may need to be adjusted separately in Android system.

Charging Problems Due to the characteristics of the structure, it is easy to be liquid erosion, daily use should pay attention to maintenance, try to avoid liquid splash to avoid liquid splashing that may cause short-circuit or poor contact.

About the signal Bluetooth transmission is the same wireless signal transmission principle as WIFI transmission. Affected by the usage environment, occasional signal disconnection is normal. It can usually be restored after a while or return to normal after leaving the current location with strong signal interference.

About Game Mode When you turn on the game mode, you will lose a little bit of music saturation, it is recommended to turn off the game mode when you are not playing the game.

About wearing comfort About the headset sound insulation and omission problems, it's related to wearing method, to avoid the headset ear sponge part is not completely closed in the ear, you can

adjust the wearing angle and the degree of ear wrapping accordingly.

About headphone sound isolation and sound leakage When wearing headphones, turn the volume to maximum. It is normal for some audio leakage to occur. If you want a more private sound-isolating environment, it is recommended to turn down the volume to normal and adjust the wearing angle to the best condition. You cannot place the headphones on the table to test sound leakage. All sound leakage tests need to be worn correctly on the head.

About the audio cable The equipped USB AUDIO cable is a multi-functional audio cable that can be used for both computer audio transmission and headphone charging. The headphones can also be charged at the same time while using the wired mode.

Microphone radio compatibility issues There will be some third-party software can not use the microphone function, which is the third-party software incompatibility problems caused by; not the headset itself, other brands of Bluetooth headset on the market there will be third-party software incompatibility problems.

ANC mode After all ANC active noise is turned on, it mainly eliminates and reduces low-frequency environmental noise (such as the sound of cars driving, the sound of machines running, wind, etc.), and the reduction of human voices (high-frequency decibels) will not be obvious. The ANC function does not support the use in the call mode.

FCC Caution:

This device complies with part 15 of the FCC Rules. Operation is subject to the following two conditions: (1) This device may not cause harmful interference, and (2) this device must accept any interference received, including interference that may cause undesired operation.

Any changes or modifications not expressly approved by the party responsible for compliance could void the user's authority to operate the equipment.

NOTE: This equipment has been tested and found to comply with the limits for a Class B digital device, pursuant to Part 15 of the FCC Rules. These limits are designed to provide reasonable protection against harmful interference in a residential installation. This equipment generates, uses and can radiate radio frequency energy and, if not installed and used in accordance with the instructions, may cause harmful interference to radio communications. However, there is no guarantee that interference will not occur in a particular installation.

If this equipment does cause harmful interference to radio or television reception, which can be determined by turning the equipment off and on, the user is encouraged to try to correct the interference by one or more of the following measures:

- Reorient or relocate the receiving antenna.
- Increase the separation between the equipment and receiver.
- Connect the equipment into an outlet on a circuit different from that to which the receiver is connected.
- Consult the dealer or an experienced radio/TV technician for help.

The device has been evaluated to meet general RF exposure requirement. The device can be used in portable exposure condition without restriction.