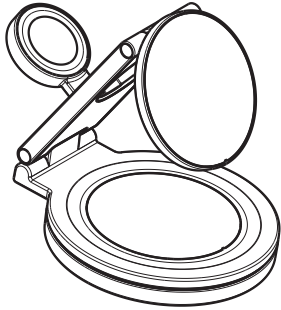


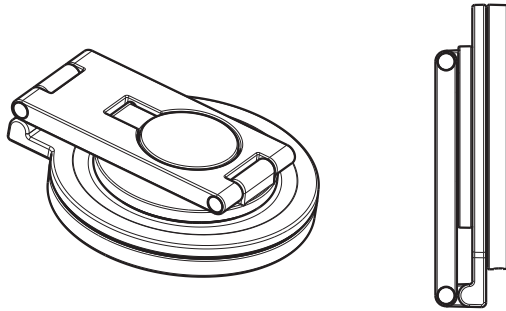
User Manual

3 IN 1 Fast Wireless Charger



Note: To ensure charging 3 devices safely and efficiently, you must use 9V/2.7A adapter and quick charge cable, (if not use the appropriate adapter and quick charge cable, the charger may not charge phone, or may not charge 3 devices simultaneously or may even damage the charger).

Product Appearance

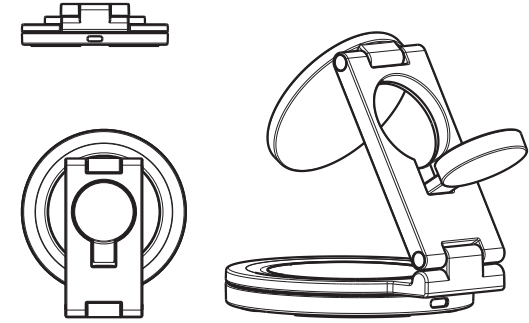


Product Introduction

The 3-in-1 wireless charger, a compact charging house, powered from only one outlet, can charge 3 devices simultaneously. When charge your mobile phone, apple watches, and your AirPods 2 or AirPods Pro or some other TWS, just put them on, wireless charging will automatically start, all this will make your desk clean and tidy, and make your life easier. The charger is so space-saving designed can help you integrate your mobile phone intelligent and life very well, especially for Apple user. Besides, it is fashion that the light ring is so shining showing the charging state.

Operation Steps

1. connect the charger to a 9V2.7A adapter through a type-C quick charge cable to switch on the power;
2. Put your phone on then charge;
3. Put the apple watch on and suck it up to charge;
4. Put your earphone case on and charge.



LED light instructions

- Power on:
Flashing once
- Standby: The white indicator is on for 30 seconds and the indicator is off
- Charge:
The running light lasts for 60 seconds, then off
- Full:
The green light is steady on
- Foreign body:
The red light is blinking

Applicable Devices

1. Smart Phone:

- ① Apple: iPhone 15, iPhone 15 Plus, iPhone 15 Pro, iPhone 15 Pro Max, iPhone 14, iPhone 14 Plus, iPhone 14 Pro, iPhone 14 Pro Max, iPhone 13, iPhone 13 mini, iPhone 13 Pro, iPhone 13 Pro Max, iPhone 12, iPhone 12 mini, iPhone 12 Pro, iPhone 12 Pro Max, iPhone 11, iPhone 11 Pro, iPhone 11 Pro Max, iPhone X, iPhone XS, iPhone XS Max, iPhone XR, iPhone 8, iPhone 8 Plus
 - ② Samsung Galaxy S: 23, 23 Ultra, 22, 22 Ultra, 21 5G, 21+ 5G, 21 Ultra 5G, FE 5G, 20 5G, 20+ 5G, 20 Ultra 5G, 10, 10+, 10e, 9, 9+, 8, 8+, 7, 7 edge, 6, 6 edge+, 6 G9209, 6Active; Galaxy Note: 10, 10e, 10+, 9, 8, 7, 6, 5;
 - ③ LG: G2(VS980, Verizon version), G3, G6, G6+, G7, G7 ThinQ, G7+ ThinQ, G8, G8 ThinQ, V30, V30+, 35, V40 ThinQ, V50, V50 ThinQ, LG Lucid2(VS870), LG Optimus F5 (As870), LG Optimus Vu 3, Spectrum 2, Optimus G Pro, Optimus VuII, Optimus LTE 2, etc.
 - ④ MOTOROLA: Droid Turbo, Droid Turbo2, Droid 5, Moto Maxx, Ultra M, Moto X Force.
 - ⑤ Huawei: Mate 60, Mate 60 Pro, Mate 60 Pro+, P60, P60 Pro, P50, P50 Pro, Mate 40 Pro+, Mate 40 RS, Mate 30, Mate 30 RS, Mate 30 Pro, Mate 30E Pro, P40 Pro, P40 Pro+, P30 Pro, Mate 20 Pro, Mate RS
 - ⑥ Xiaomi: 11 Ultra, 11 Pro, 11, 10s, MIX 4, 10, 10 Pro, 9, 9 Pro, 9X, MIX 3, MIX 2S
- Including other devices with wireless charging receiver built-in; other some devices need to add a wireless charging receiver (Note: All devices must meet the Qi standard).

2. Smart Watch:

Apple: iWatch S1, S2, S3, S4, S5, S6, S7, S8, S9, SE.

3. TWS bluetooth earphone:

Apple AirPods 2, AirPods 3, AirPods 4, AirPods Pro; Samsung Galaxy Buds/Buds+/Buds Pro/Buds Live; Huawei Freebuds 2/3/4i/Pro; and more TWS(with wireless charging case).

Product Specification

Input: 9V/2A, 9V2.7A
Phone Output: 15W/10W/7.5W/5W
Watch Output: 2.5W
Earphone Output: 3W
Input interface: Type-C port
Transmission Distance(Phone): ≤ 8mm
Conversion Rate(Phone): ≥ 73%
Product Size: 98.3x24.7x95.8 mm

Accessories List

Wireless Charger * 1, Type-C quick charge cable * 1, User manual * 1

Attention

1. Please keep the charger away from water or other liquid;
2. If you need to clean the charger, please make sure it is not connected power supply;
3. Using Environment temperature remains 0-45°C.
4. Charging environment of smart phone will not be ≤ 55°C (≤ 131°F)

Answer questions

1. If you're experiencing interrupted or slow charging, check the following:

- (1) The back of your phone should not have any metal, pop sockets, or credit cards,
- (2) Put the phone in the center of the charging surface (this lets the charging coil in your phone line up with the one inside the wireless charger).
- (3) The wireless charging coil on Sony phones is located slightly below center.
- (4) Phone cases should be no thicker than 5 mm for effective charging.
- (5) Check whether the adapter is QC3.0 fast charger.

2. If you're failing to charge your device, please try out the following:

- (1) Please restart your cell phone and test with other USB cable.
- (2) Please check whether the indicator turns on or not.
- (3) Please check the Adapter is Quick Charger (Output:9V/2.7A) or not, iPhone original adapter does not match the wireless charger.
- (4) Please check your Phone case thickness(≤ 5mm). Metal ring or Magnetic Pad will not be available.

3. If you're using the recommended wireless charger with the 9V/2.7A adapter and have removed any potential charging obstructions, but are still experiencing issues, try:

- (1) Replacing the cable connecting your the wireless charger.
- (2) Rebooting your phone.
- (3) Unplug the adapter and reinsert.

FCC Warning

This device complies with part 15 of the FCC Rules. Operation is subject to the following two conditions:

(1) This device may not cause harmful interference, and (2) this device must accept any interference received, including interference that may cause undesired operation.

Any Changes or modifications not expressly approved by the party responsible for compliance could void the user's authority to operate the equipment.

Note: This equipment has been tested and found to comply with the limits for a Class B digital device, pursuant to part 15 of the FCC Rules. These limits are designed to provide reasonable protection against harmful interference in a residential installation. This equipment generates uses and can radiate radiofrequency energy and, if not installed and used in accordance with the instructions, may cause harmful interference to radio communications. However, there is no guarantee that interference will not occur in a particular installation. If this equipment does cause harmful interference to radio or television reception, which can be determined by turning the equipment off and on, the user is encouraged to try to correct the interference by one or more of the following measures:

- Reorient or relocate the receiving antenna.
- Increase the separation between the equipment and receiver.
- Connect the equipment into an outlet on a circuit different from that to which the receiver is connected.
- Consult the dealer or an experienced radio/TV technician for help.

The FCC certification of this device refers to RF exposure testing performed in typical operating conditions, where a person is no closer than 20 centimeters from the device surface at all times, except for non-repetitive patterns with transient time intervals in the order of a second. Only in the stated conditions, the device is shown to fully comply with the FCC RF Exposure requirements of KDB 447498.