

# 产品规格书

## **SPECIFICATION**

客户:

**CUSTOMER:**

制造商

深圳市扬程通电子有限公司

SUPPLIER:

Shenzhen Yangcheng Tong Electronics Co., LTD

地址

深圳市龙岗区横岗街道西坑社区梧岗路24号8楼

Add:

8 F, No. 24, Wugang Road, Xikeng Community, Henggang Street,  
Longgang District, Shenzhen

产品名称:

WIFI单极天线 (2.4G)

DESCRIPTION:

WIFI monopole antenna

产品编码:

**MATERIAL CODE:**

供应商产品名称: WiFi单极天线 (2.4G)

**SUPPLIER PRODUCT NAME:WIFI monopole antenna**

供应商物料编码:

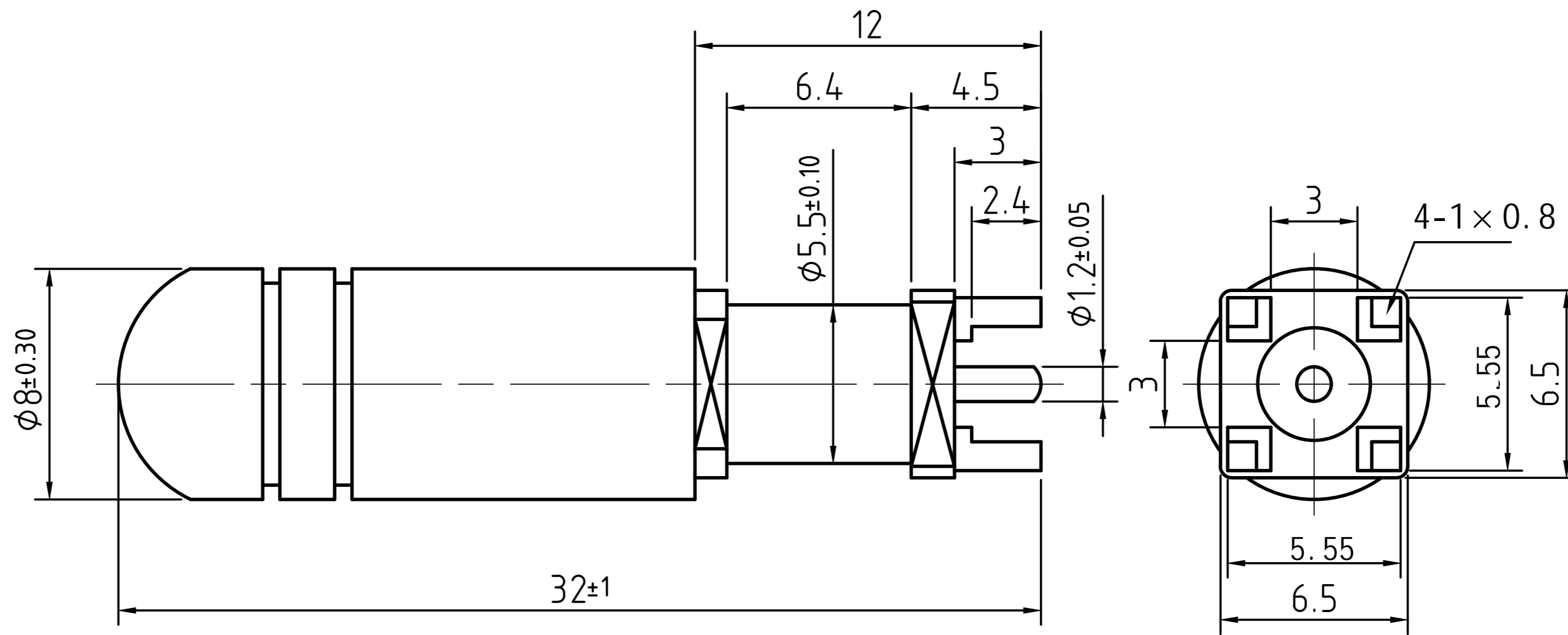
SUPPLIER MATERIAL CODE:

日期:

**2022.9.7**

**DATE:**





unit:mm

电气特性Electrical

特性阻抗Characteristic Impedance	50 ohm
频率范围Frequency Range	2400-2500Mhz
电压驻波比VSWR	$\leq 2.0$
储存温度Storage Temperature	-40°C~+85°C
极化方式polarization	垂直vertical
雷电保护Lightning Protection	直流接地DC Ground
工作温度Operation Temperature	-40°C~+85°C

材料及涂镀 Material and plating

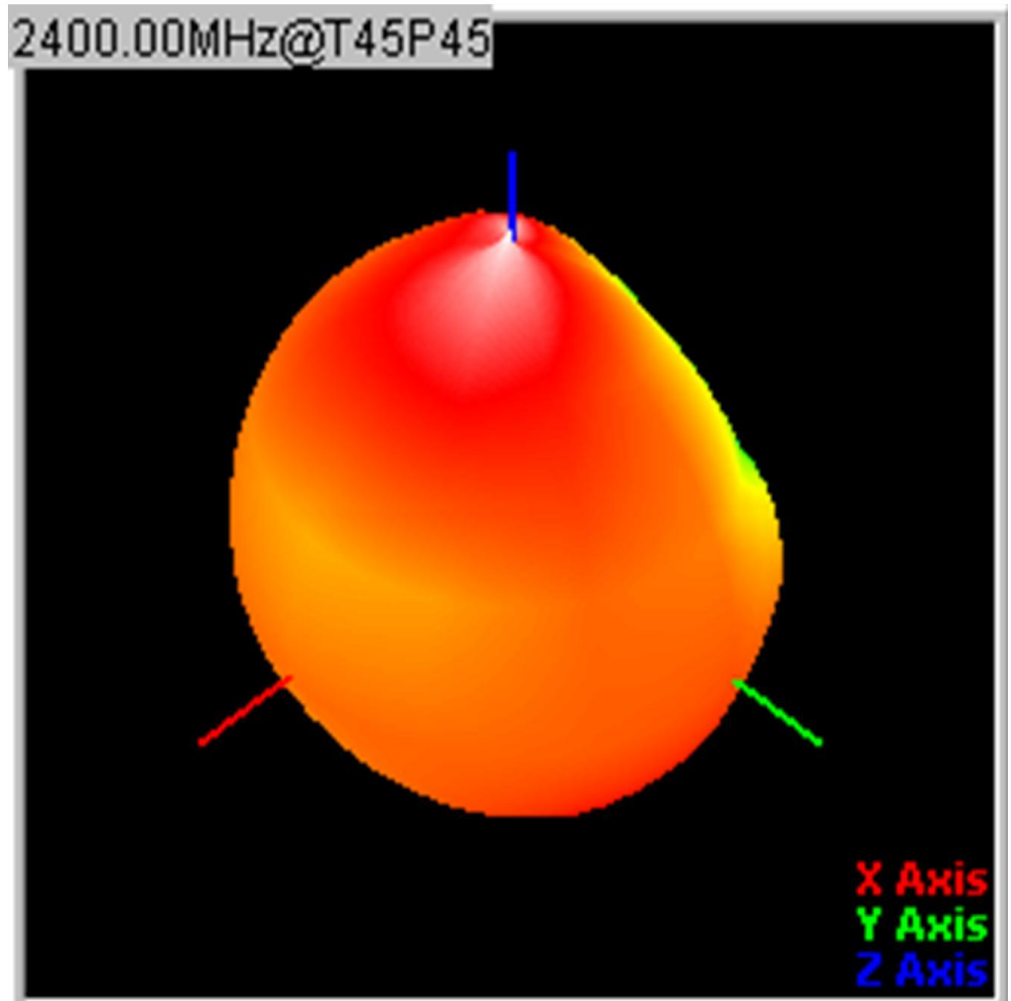
	Material	plating
外壳Body	黄铜Brass	金 Au/镍NI
绝缘子Insulator	聚四氟乙烯PTFE	-
内导体Center conductor	黄铜Brass	金 Au
护套 Sheath	胶棒Glue stick	-

## 六：暗室测试报告

Passive Test For 2400-2500									
Freq (MHz)	Effi (%)	Effi (dB)	Gain (dBi)	UHS (%)	DHIS (%)	Max (dB)	Min (dB)	Attenut Hor	Attenut Ver
2400	57.5	-2.4	1.29	35.8	21.768	1.29	-12.22	59.04	58.22
2410	61.2	-2.13	1.67	37.7	23.494	1.67	-11.29	58.69	58.07
2420	63	-2.01	1.75	37.7	25.293	1.75	-11.12	58.96	58.16
2430	52.7	-2.78	1.51	30.7	22.058	1.51	-17.05	59.02	58.59
2440	75.9	-1.2	2.95	42	33.867	2.95	-23.77	60.59	59.65
2450	64.2	-1.93	2.26	34.7	29.484	2.26	-19.56	60.82	59.59
2460	48.2	-3.17	1.17	25.7	22.509	1.17	-17.07	62.12	60.71
2470	76.9	-1.14	2.8	41.1	35.811	2.8	-12.97	62.52	61.91
2480	63.6	-1.96	1.55	33.3	30.287	1.55	-14.87	62.36	61.76
2490	59.8	-2.24	1.12	31.4	28.336	1.12	-12.43	62.8	62.24
2500	52.9	-2.77	0.73	28.2	24.658	0.73	-11.96	63.41	62.86



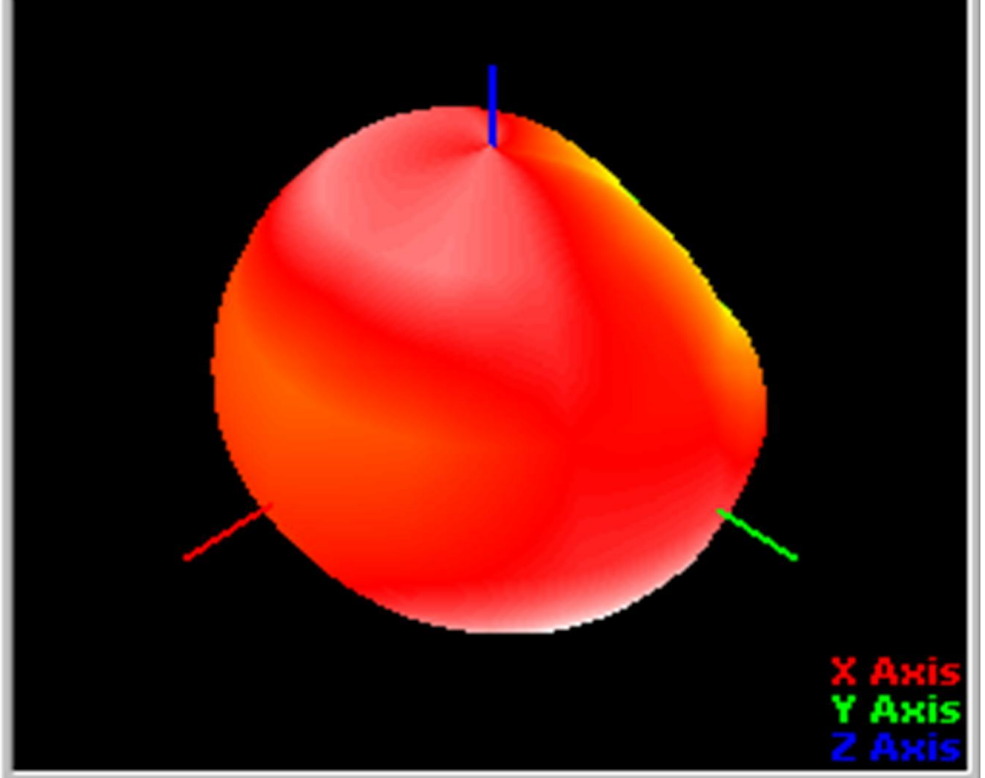
1.29  
1.04  
0.5  
-0.34  
-1.18  
-2.02  
-2.86  
-3.7  
-4.54  
-5.38  
-6.22  
-7.07  
-7.91  
-8.75  
-9.59  
-10.4  
-11.3  
-12.1





2.26  
1.05  
0.78  
-0.13  
-1.05  
-1.96  
-2.87  
-3.78  
-4.69  
-5.61  
-6.52  
-7.43  
-8.34  
-9.26  
-10.2  
-11.1  
-12  
-12.9

2450.00MHz@T45P45



0.73  
0.63  
0.36  
-0.37  
-1.09  
-1.82  
-2.54  
-3.27  
-4  
-4.72  
-5.45  
-6.18  
-6.9  
-7.63  
-8.35  
-9.08  
-9.81  
-10.5

2500.00MHz@T45P45

