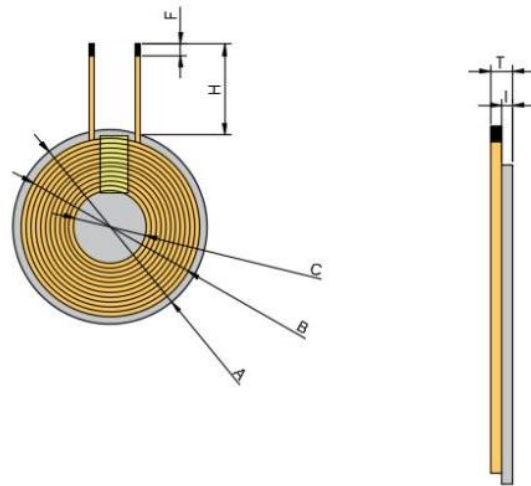


# ANT PHTOT



A	$43 \pm 0.5$
B	$38 \pm 0.1$
C	$21 \pm 0.5$
H	$40 \pm 2$
T	$1.7 \pm 0.2$
I	$0.8 \pm 0.1$
F	$3 \pm 1$

All measurements were performed radiated and therefore additional antenna gain documentation is not required.