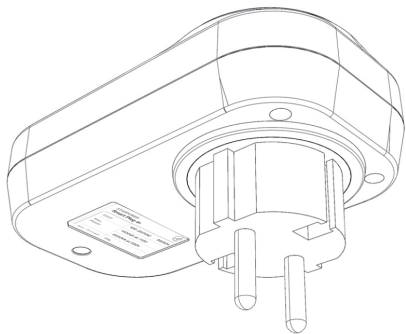


User Guide

Starplug Tips & Tricks

Discover more exciting features

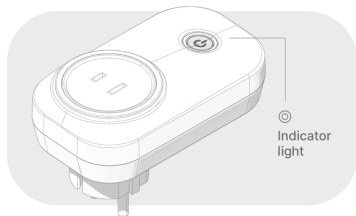


starpower.world



STARPOWER

Power On and Network Configuration



- ① When connected to power for the first time, the indicator lights up and automatically enters the working state.
- ② Press and hold for 2-3 seconds to initiate the network pairing process. At this point, it should be synchronized with the Starpower app, leading you into the wonderful Web3 energy journey.

⚠ Please ensure a stable network connection to prevent interruptions that could affect earnings.

Get More

Scan the QR code or visit <https://www.starpower.world/user-guide> for the latest user guides, information about Starpower products, and the rules.



Download the Starpower APP from the app store and follow the guide for operation.



IOS



Android



Aptoide

Safety Information

Before using and operating the device, please review and follow all safety information to ensure optimal performance and to avoid hazards or illegal situations.

- Refer to the nameplate information to ensure that the power source connected to the plug matches the voltage and current requirements specified on the product label.
- The plug is designed with moisture and dust resistance, but please avoid direct exposure to rain or humidity.
- Before first use, please ensure that the plug is connected to a power source. Activate the plug according to the instruction manual, and connect it using the APP.
- The mobile APP allows remote control of the plug, ensure a stable network connection.
- The front of the plug is equipped with a manual control button for immediate switching.

Legal Notices

This product complies with relevant safety and electromagnetic compatibility standards, but unauthorized modifications may lead to safety hazards.

This guide is for reference only and does not constitute any form of commitment. Please refer to the actual product.

If there is any inconsistency between this guide and the official website description, please refer to the official website description without prior notice.

Privacy Protection

To understand how we protect your personal information, please review the privacy policy in the mobile APP.

FCC Warning:

This equipment has been tested and found to comply with the limits for a Class B digital device, pursuant to part 15 of the FCC Rules. These limits are designed to provide reasonable protection against harmful interference in a residential installation. This equipment generates, uses and can radiate radio frequency energy and, if not installed and used in accordance with the instructions, may cause harmful interference to radio communications. However, there is no guarantee that interference will not occur in a particular installation. If this equipment does cause harmful interference to radio or television reception, which can be determined by turning the equipment off and on, the user is encouraged to try to correct the interference by one or more of the following measures:

- Reorient or relocate the receiving antenna.
- Increase the separation between the equipment and receiver.
- Connect the equipment into an outlet on a circuit different from that to which the receiver is connected.
- Consult the dealer or an experienced radio/TV technician for help.

Caution: Any changes or modifications to this device not explicitly approved by manufacturer could void your authority to operate this equipment.

This device complies with part 15 of the FCC Rules. Operation is subject to the following two conditions:

(1) This device may not cause harmful interference, and (2) this device must accept any interference received, including interference that may cause undesired operation.

This equipment complies with FCC radiation exposure limits set forth for an uncontrolled environment. This equipment should be installed and operated with minimum distance 20cm between the radiator and your body.