



Scan the QR code to download the APP

### 1. Switch machine instructions

- 1.1 Power on: Long press the button for 3 seconds in the shutdown state, and the red LED (or green LED for battery model ) blinks indicating the power on;
- 1.2 Power off: Long press the button for 3 seconds in the power on state. When the status LED is off, it indicates the power off. If low battery, it will be in shutdown automatic

### 2. Connection description

- 2.1 Turn on the device first, and the light blinks, indicating the state to be connected;
- 2.2 Turn on the Bluetooth of the mobile phone and open the APP. There is no need to manually pair the device. Wait for 3-6 seconds, the cradle head is successfully connected to the APP, and the green and blue LED (or red and blue for battery model) indicator is on after the success.

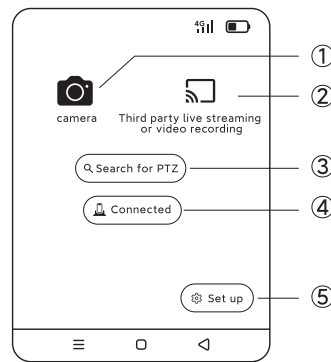
### 3. Key operation

- 3.1 Press the button briefly: turn off or on the tracking function. The blue light on means to turn on the tracking function, and the blue light off means to turn off the tracking function.
- 3.2 Double-click the button: start the cruise and adjust the position

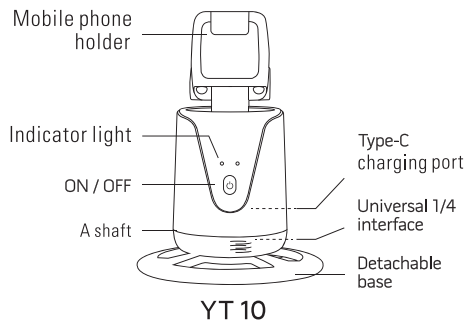
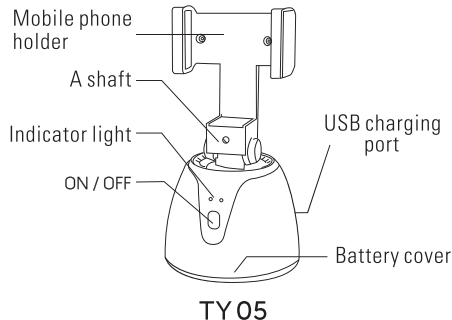
### 4. Intelligent shooting

- 4.1 Select camera function: pose to stop for 3 seconds, you can of the cradle head.automatically open the photo
- 4.2 Select Video recording function: stop for 3 seconds, you can automatically start the video
- 4.3 Double photo mode: two faces close to and stop for 3 seconds, you can automatically open the photo

### 5. Delete and reconnect the device



- ① Open the entrance of the mobile camera
- ② Open the entrance of the third-party live streaming platform
- ③ Turn on the red light flashing, click to search for PTZ
- ④ to display connected, indicating Bluetooth connection Success, click 'connected' to disconnect
- ⑤ Application guide, tracking settings



#### FCC Caution:

This device complies with part 15 of the FCC Rules. Operation is subject to the following two conditions: (1) this device may not cause harmful interference, and (2) this device must accept any interference received, including interference that may cause undesired operation.

Any changes or modifications not expressly approved by the party responsible for compliance could void the user's authority to operate the equipment.

NOTE: This equipment has been tested and found to comply with the limits for a Class B digital device, pursuant to Part 15 of the FCC Rules. These limits are designed to provide reasonable protection against harmful interference in a residential installation. This equipment generates, uses and can radiate radio frequency energy and, if not installed and used in accordance with the instructions, may cause harmful interference to radio communications. However, there is no guarantee that interference will not occur in a particular installation.

If this equipment does cause harmful interference to radio or television reception, which can be determined by turning the equipment off and on, the user is encouraged to try to correct the interference by one or more of the following measures:

- Reorient or relocate the receiving antenna.
- Increase the separation between the equipment and receiver.
- Connect the equipment into an outlet on a circuit different from that to which the receiver is connected.
- Consult the dealer or an experienced radio/TV technician for help.

The device has been evaluated to meet general RF exposure requirement. The device can be used in portable exposure condition without restriction.