

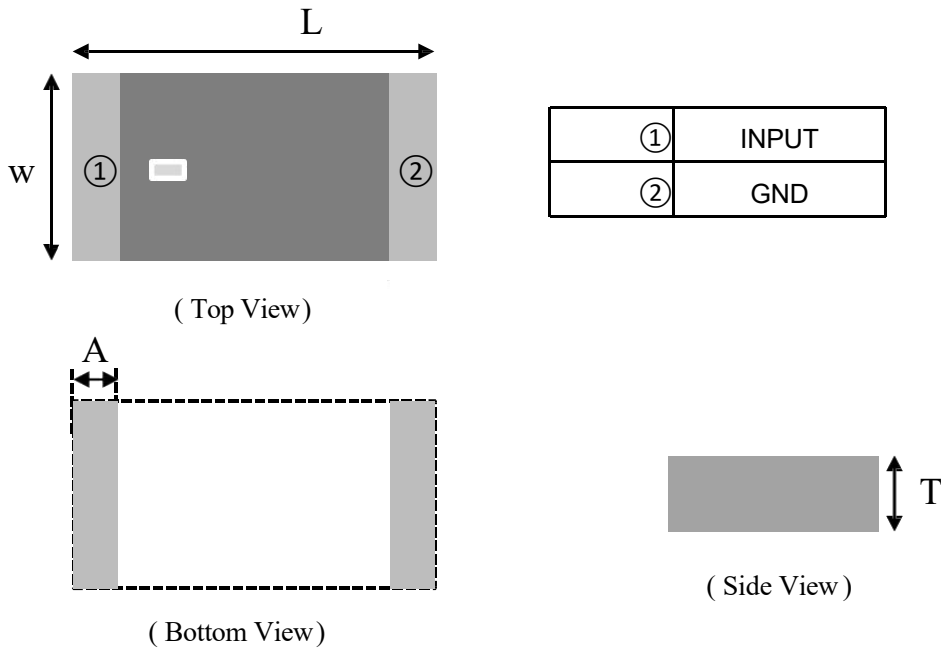
Features

1. Surface Mounted Devices with a small dimension of 2.0 x 1.25 x 0.6 mm³ meet future miniaturization trend.
2. Embedded and LTCC (Low Temperature Co-fired Ceramic) technology is able to future integrate with system design as well as beautifying the housing of final product.
3. High Stability in Temperature / Humidity Change

Applications

1. Bluetooth
2. Wireless LAN
3. ISM band 2.4GHz wireless applications

Dimensions (Unit: mm)

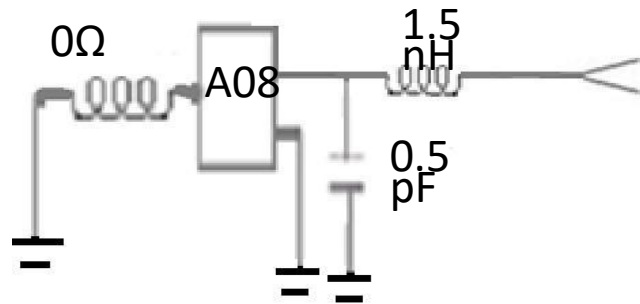
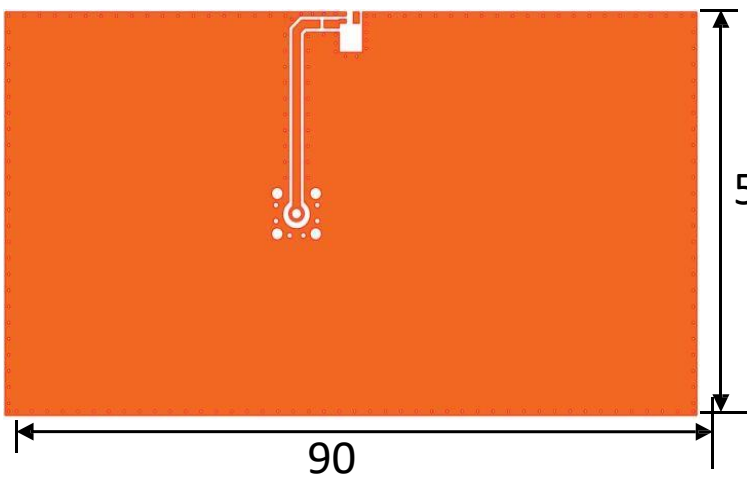
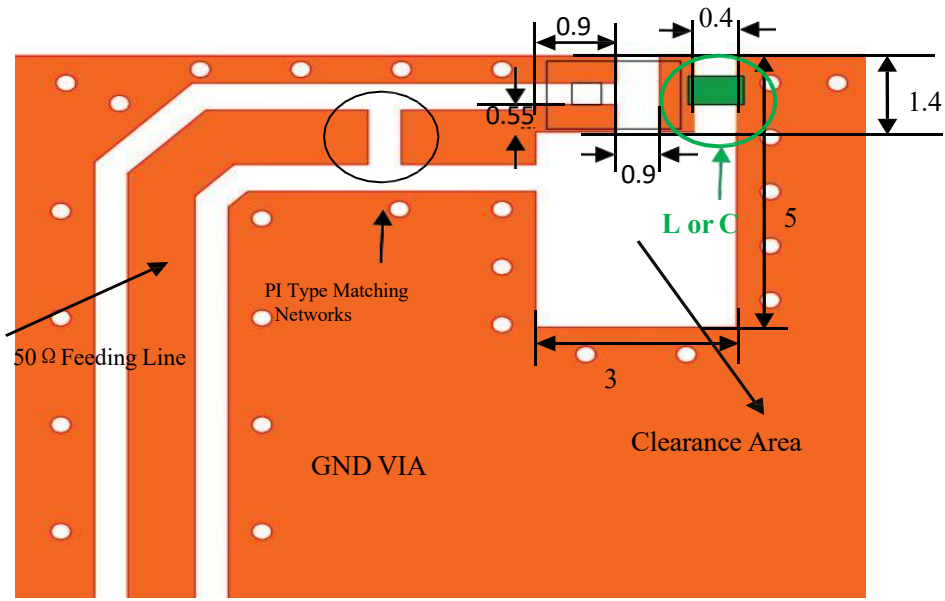


Symbols	L	W	T	A
Dimensions	2.0+/-0.2	1.25+/-0.2	0.6+/-0.1	0.6+/-0.1

Address: 1905, Building 2, Jiufang Plaza, Tiezai Road, Gongle Community, Xixiang Street, Bao'an District, Shenzhen, China

TEL: 0755-23591525, FAX: 0755-23591525

Evaluation Board and Matching Circuits



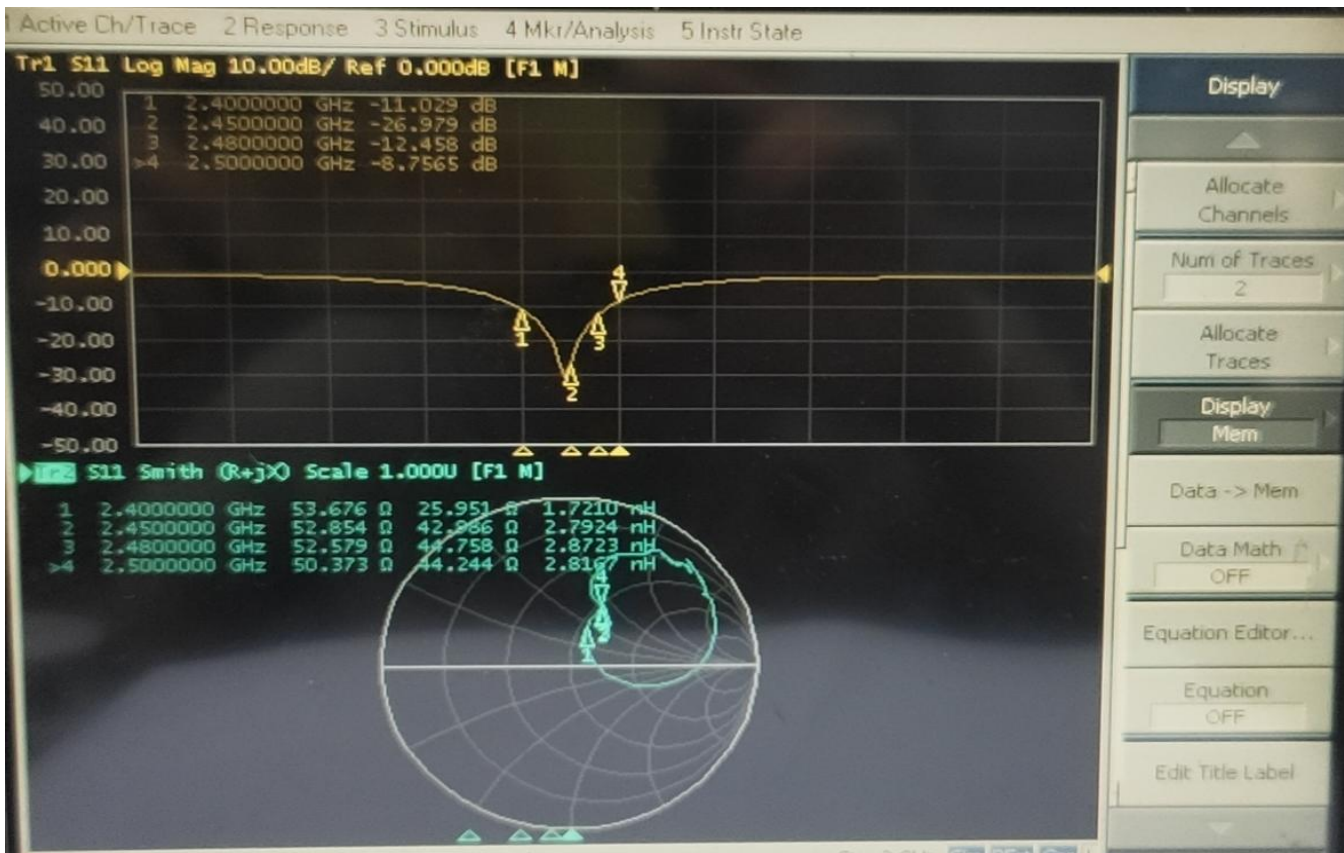
Address: 1905, Building 2, Jiufang Plaza, Tiezai Road, Gongle Community, Xixiang Street, Bao'an District, Shenzhen, China

TEL: 0755-23591525, FAX: 0755-23591525

Electrical Characteristics

No.	Item	Specifications
1	Central Frequency	2545MHz
2	Band Width	100MHz typ.
3	Peak Gain	2.7 dBi
4	Return Loss	≤ 2.0
5	Polarization	Linear
6	Azimuth Beam width	Omni-directional
7	Impedance	50 Ω

Characteristic curve

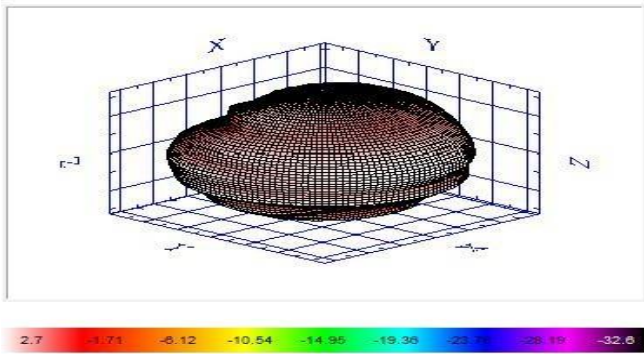
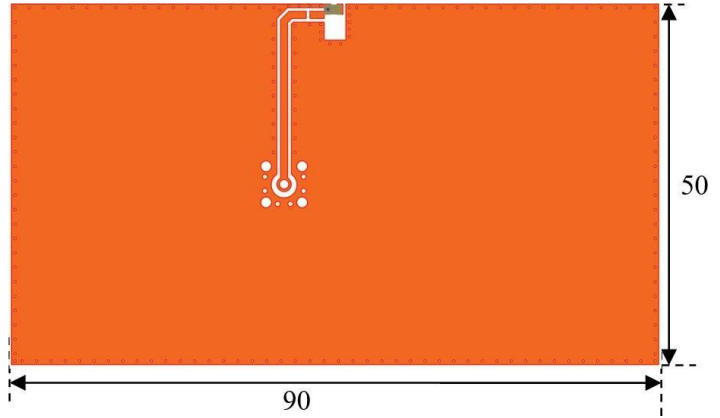
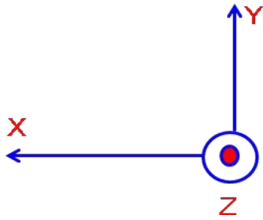


Address: 1905, Building 2, Jiufang Plaza, Tiezai Road, Gongle Community, Xixiang Street, Bao'an District, Shenzhen, China

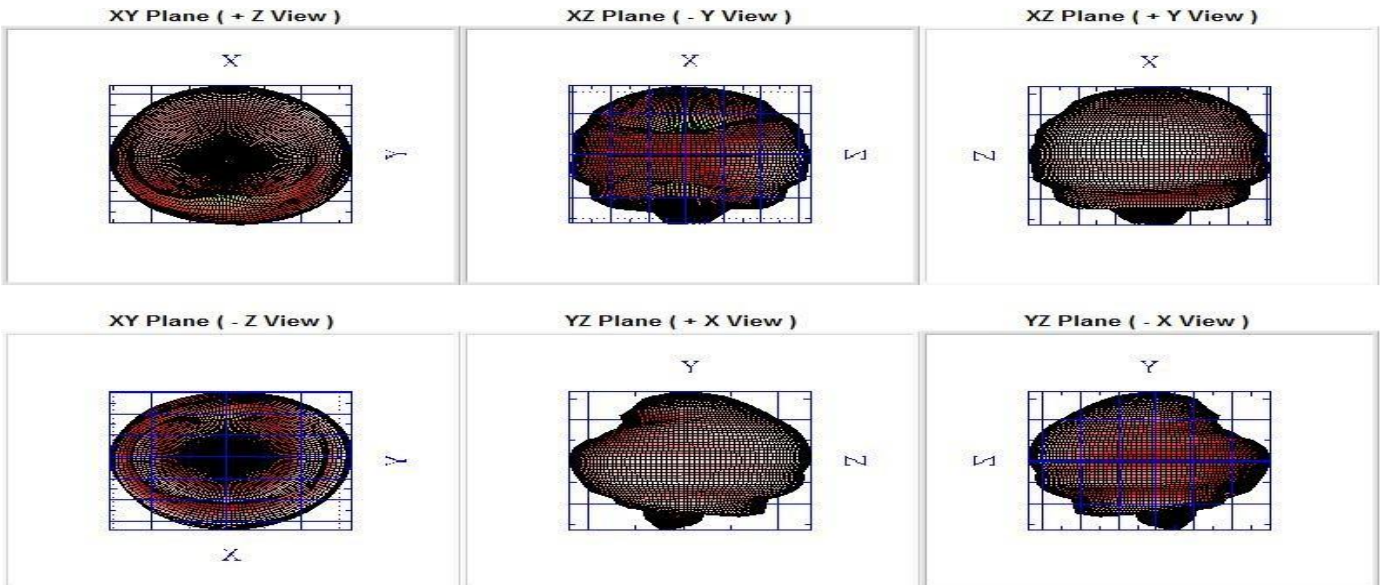
TEL: 0755-23591525, FAX: 0755-23591525

Radiation Pattern

coordinates:



Frequency (MHz)	TRP (dBm)	Efficiency (%)
2450.00	-1.38	72.7
Peak EIRP (dBm)	Max. Power (dBm)	Directivity (dBi)
2.7	2.7	4.09
NHPRP +/- 45 (dBm)	Min. Power (dBm)	Average Gain (dB)
-2.41	-32.6	-1.38
NHPRP +/- 30 (dBm)	Avg. Power (dBm)	Upper Hem. (dBm)
-3.45	-1.13	-3.84
E-Theta Peak Gain (dBi)	Max. / Min. Ratio (dB)	Lower Hem. (dBm)
1.85	35.3	-5.02
E-Phi Peak Gain (dBi)	Max. / Avg. Ratio (dB)	Upper Hem. (%)
2.23	3.83	41.26
E-Total Peak Gain (dBi)	Min. / Avg. Ratio (dB)	Lower Hem. (%)
2.7	-31.47	31.45



Address: 1905, Building 2, Jiufang Plaza, Tiezai Road, Gongle Community, Xixiang Street, Bao'an District, Shenzhen, China

TEL: 0755-23591525, FAX: 0755-23591525

Item	Post Dependability Tolerance
Central Frequency	±5 MHz
Band Width	±5 MHz
Gain	±0.1 dBi
V.S.W.R (in BW)	±0.1

Post Dependability Tolerance

Dependability Test

Temperature range	25±5°C
Relative Humidity range	55~75%RH
Operating Temperature range	-40°C~+85°C
Storage Temperature range	-40°C~+85°C

Vibration Resist

The device should satisfy the electrical characteristics specified in paragraph 8.1~8.4 after applied to the vibration of 10 to 55Hz with amplitude of 1.5mm for 2 hours each in X , Y and Z directions.

Drop Shock

The device should satisfy the electrical characteristics specified in paragraph 8.1~8.4 after dropping onto the hard wooden board from the height of 100cm for 3 times each facet of the 3 dimensions of the device.

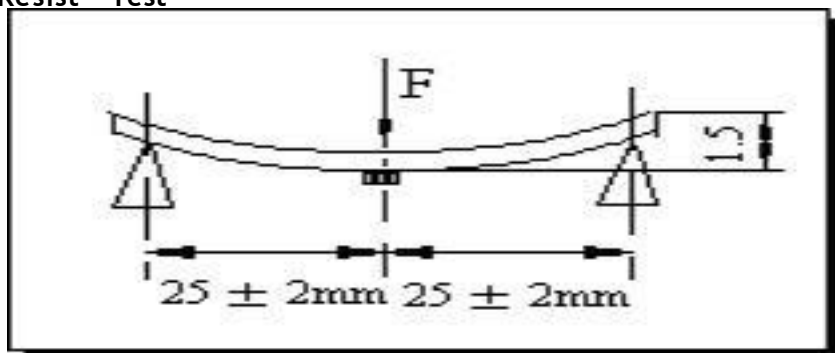
Solder Heat Proof

The device should be satisfied after preheating at 120°C~150°C for 120 seconds and dipping in soldering Sn at 255°C+10°C for 5±0.5 seconds, or electric iron 300°C-10°C for 3±0.5 seconds, without damage.

Adhesive Strength of Termination

The device have no remarkable damage or removal of the termination after horizontal force of 5N(≦0603); 10N(>0603)with 10±1 seconds.

Bending Resist Test



Weld the product to the center part of the PCB with the thickness 1.6±0.2mm as the illustration shows, and keep exerting force arrow-ward on it at speed of :1mm/S , and hold for 5±1S at the position of 1.5mm bending distance , so far , any peeling off of the product metal coating should not be detected .

Address: 1905, Building 2, Jiufang Plaza, Tiezai Road, Gongle Community, Xixiang Street, Bao'an District, Shenzhen, China

TEL: 0755-23591525, FAX: 0755-23591525

Moisture Proof

The device should satisfy the electrical characteristics specified in paragraph 8.1~8.4 after exposed to the temperature $60\pm 2^{\circ}\text{C}$ and the relative humidity 90~95% RH for 96 hours and 1~2 hours recovery time under normal condition.

High Temperature Endurance

The device should satisfy the electrical characteristics specified in paragraph 8.1~8.4 after exposed to temperature $85\pm 5^{\circ}\text{C}$ for 96 ± 2 hours and 1~2 hours recovery time under normal temperature.

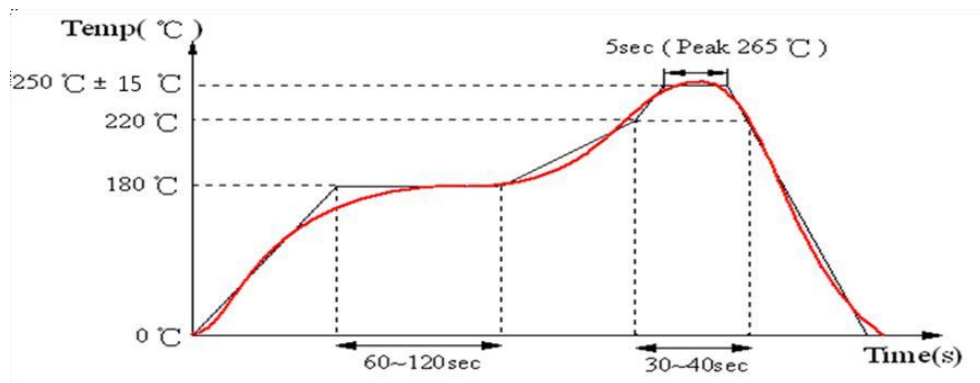
Low Temperature Endurance

The device should also satisfy the electrical characteristics specified in paragraph 8.1~8.4 after exposed to the temperature $-40^{\circ}\text{C}\pm 5^{\circ}\text{C}$ for 96 ± 2 hours and to 2 hours recovery time under normal temperature.

Temperature Cycle Test

The device should also satisfy the electrical characteristics specified in paragraph 8.1~8.4 after exposed to the low temperature -40°C and high temperature $+85^{\circ}\text{C}$ for 30 ± 2 min each by 5 cycles and 1 to 2 hours recovery time under normal temperature.

Reflow Soldering Standard Condition

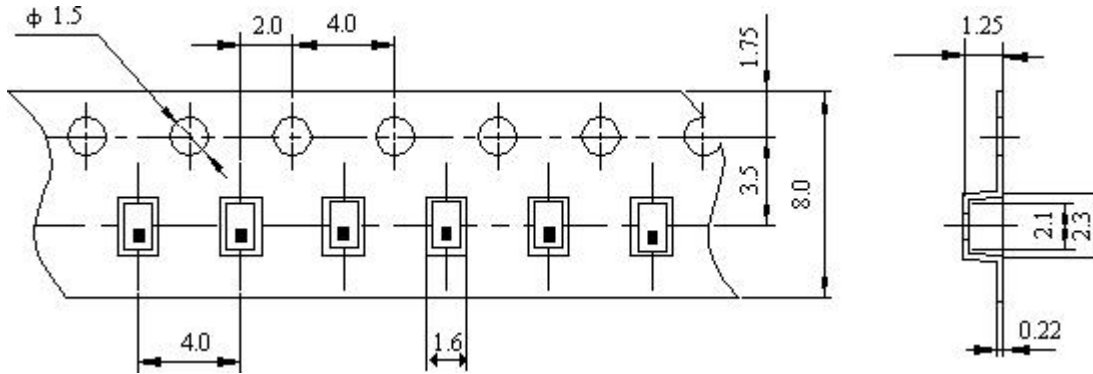


Address: 1905, Building 2, Jiufang Plaza, Tiezai Road, Gongle Community, Xixiang Street, Bao'an District, Shenzhen, China

TEL: 0755-23591525, FAX: 0755-23591525

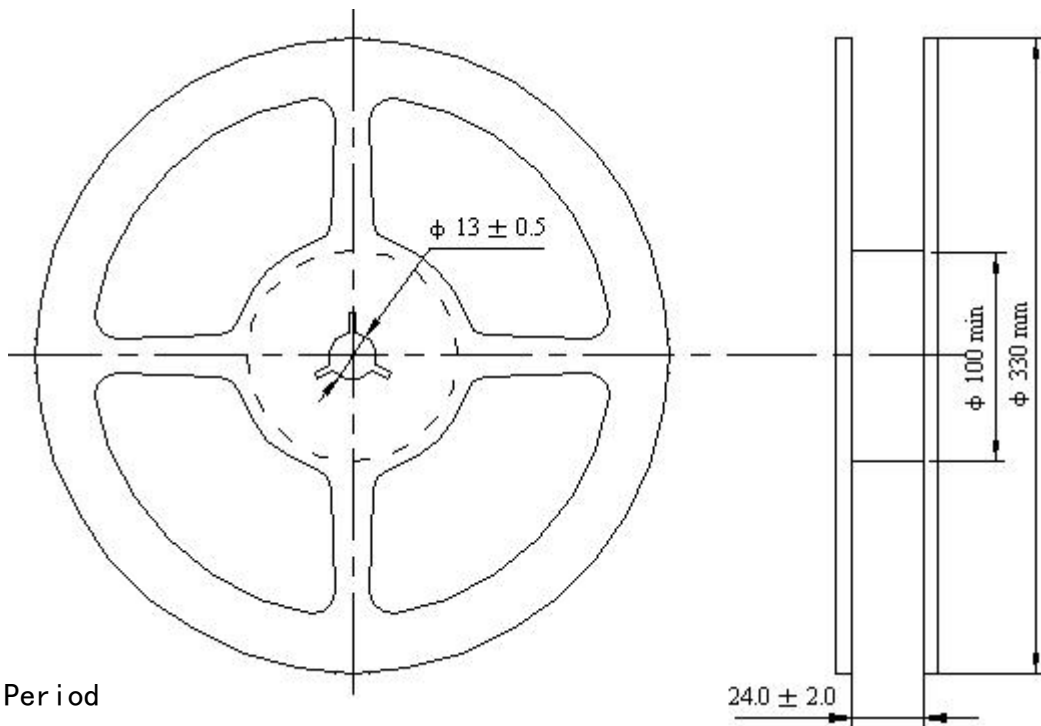
Packaging and Dimensions (2012)

Plastic Tape



Remarks for Package

Reserve a length of 150~200mm for the trailer of the carrier and 250~300 mm for the leader of the carrier and further 250mm of cover tape at the leading part of the carrier.
 Reel (4000 pcs/Reel)



Storage Period

Product should be used within twelve months of receipt.

MSL 1 / Storage Temperature Range : -40~85 degree C, Humidity : <60%RH

Address: 1905, Building 2, Jiufang Plaza, Tiezai Road, Gongle Community, Xixiang Street, Bao'an District, Shenzhen, China

TEL: 0755-23591525, FAX: 0755-23591525