

# SPIROK SK7

Ferrofluid Speaker

A Tech Art Speaker



[spirok.com](http://spirok.com)

**USER MANUAL**

## SAFETY WARNING

SPIROK SPEAKER IS A TECH ART SPEAKER THAT LETS YOU SEE THE MUSIC, FEATURING THE MAGIC FERROFLUID DISPLAY.

IT'S A REVOLUTIONARY BLUETOOTH SPEAKER THAT USES MAGNETIC FERROFLUID, A LIQUID THAT RESPONDS TO MAGNETIC.

THIS SPEAKER IS EQUIPPED WITH GLASS AND LIQUID INSIDE, AND THE GLASS IS FRAGILE. PLEASE PLACE IT PROPERLY TO AVOID FALLING.

FERROFLUID IS AN INTERESTING LIQUID THAT IS INFLUENCED BY TEMPERATURE. FOR THE BEST EXPERIENCE, PLEASE PLAY IT IN A 5~30°C ENVIRONMENT.

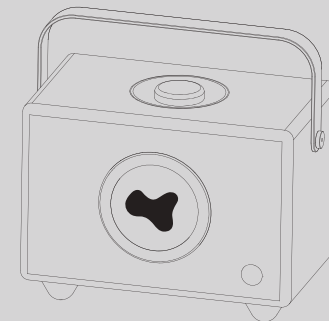
SPIROK SPEAKER WAS ORIGINALLY DESIGNED FOR INDOOR USE AT HOME. IF YOU NEED TO BRING IT OUTDOORS, PLEASE BE CAREFUL NOT TO BREAK THE GLASS.



1. PLEASE DO NOT USE IN COLD AND ICY ENVIRONMENTS.

2. PLEASE DO NOT USE IN HOT ENVIRONMENTS FOR LONG TIME.

3. IT IS NOT RECOMMENDED TO USE IT IN THE CAR, ESPECIALLY IN HOT AND SUNNY CONDITIONS.



## INDEX

### ENGLISH

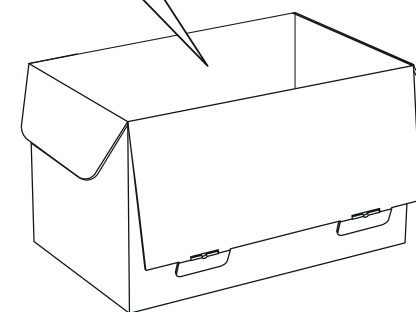
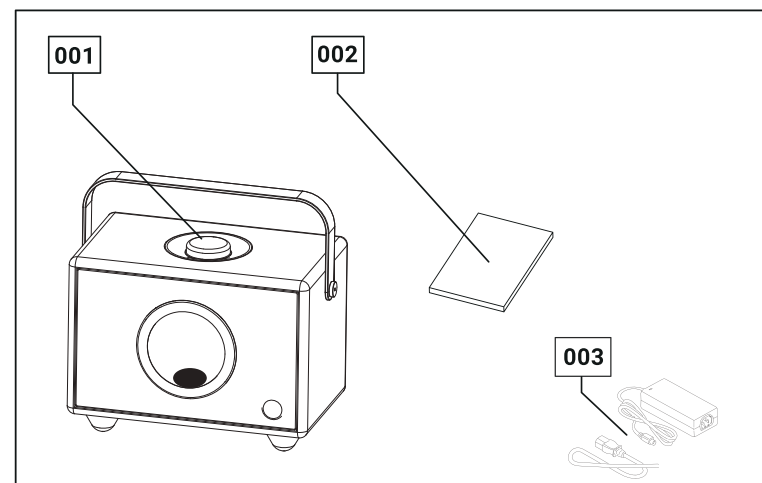
#### SECTIONS

#### PAGE

002.	SAFETY WARNING
003.	INDEX
004.	BOX CONTENTS
005.	GENERAL DESCRIPTION
006.	REAR PANEL DESCRIPTION
007.	TURNING THE SPEAKER ON/OFF
008.	SELECTING AUDIO SOURCE
009.	LED LIGHT
010.	HOW TO USE MICROPHONE
011.	CONNECTING VIA BLUETOOTH (PAIRING)
012.	CONNECTING VIA AUX/USB
013.	ADJUSTING THE VOLUME
014.	PLAY/PAUSE CONTROL
015.	STANDBY MODE
016.	TECHNICAL INFORMATION
017.	TROUBLESHOOTING
018.	TROUBLESHOOTING
019.	TROUBLESHOOTING

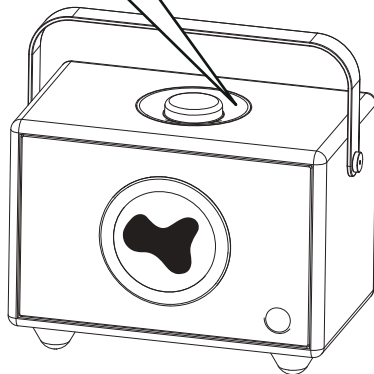
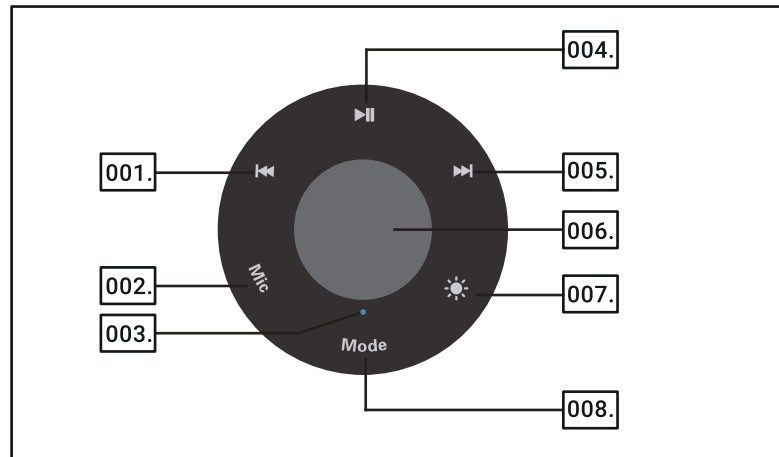
## BOX CONTENTS

- 001. SPIROK SPEAKER
- 002. USER MANUAL
- 003. MAINS LEAD



## GENERAL DESCRIPTION

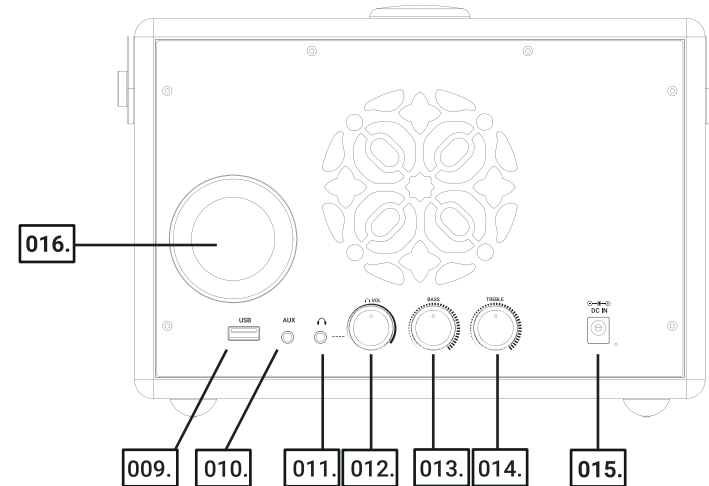
- 001. PREVIOUS SONG BUTTON
- 002. Mic BUTTON - FLUID REACTS TO YOUR VOICE OR AMBIENT SOUND
- 003. SOURCE INDICATOR LIGHT
- 004. PLAY/PAUSE BUTTON
- 005. NEXT SONG BUTTON
- 006. VOLUME KNOB / TURN ON/OFF
- 007. PRESS \* TO TOGGLE BETWEEN DIFFERENT LED LIGHT
- 008. AUDIO SOURCE BUTTON  
PRESS Mode TO TOGGLE BETWEEN BLUETOOTH/AUX/USB



005.

## REAR PANEL DESCRIPTION

- 009. USB INPUT PORT
- 010. AUX INPUT PORT FOR 3.5mm JACK
- 011. EARPHONE OUTPUT
- 012. EARPHONE VOLUME KNOB
- 013. BASS VOLUME KNOB
- 014. TREBLE VOLUME KNOB
- 015. POWER DC IN
- 016. BASS PORT



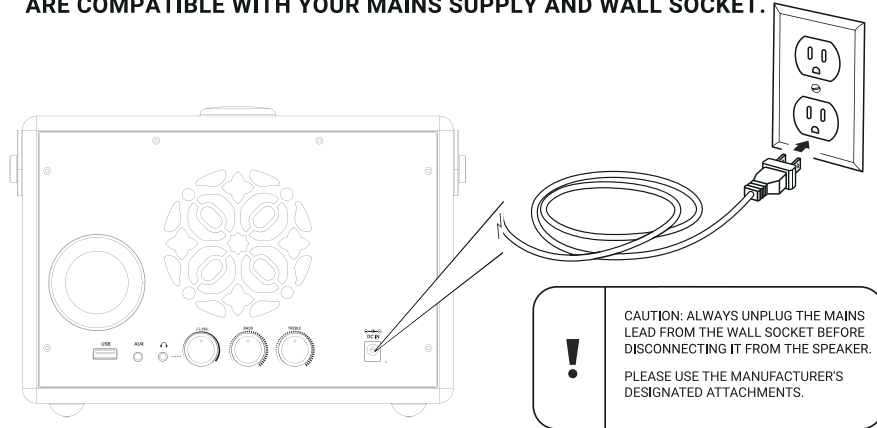
006.

## TURNING THE SPEAKER ON/OFF

### GETTING STARTED

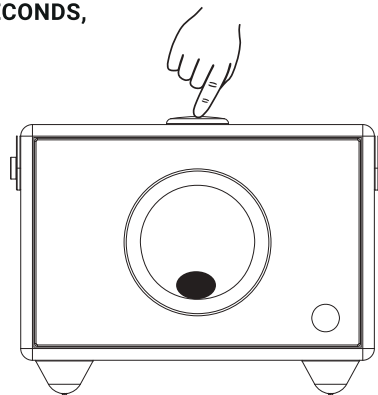
1. USE THE INCLUDED MAINS LEAD TO CONNECT SPROK SPEAKER TO THE WALL SOCKET.
2. PRESS THE ON/OFF TOP KNOB TO TURN ON THE SPEAKER.

**IMPORTANT: ALWAYS ENSURE THAT THE MAINS LEAD, PLUG AND SPEAKER ARE COMPATIBLE WITH YOUR MAINS SUPPLY AND WALL SOCKET.**



**TURN ON:**  
PRESS AND HOLD THE TOP KNOB FOR 3 SECONDS,  
THE POWER ON SOUND PLAYS AND  
THE INDICATORS LIGHT UP.

**TURN OFF:**  
PRESS AND HOLD THE TOP KNOB  
FOR 3 SECONDS,  
THE POWER OFF SOUND PLAYS  
AND ALL INDICATORS TURN OFF.



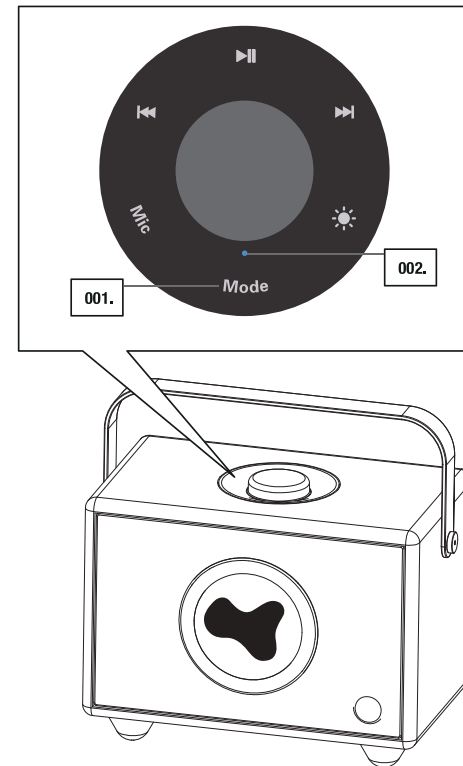
007.

## SELECTING AUDIO SOURCE

THERE ARE MANY WAYS TO CONNECT TO THE SPEAKER, EITHER WIRELESSLY OR BY CABLE

001. PUSH THE Mode BUTTON TO TOGGLE BETWEEN BLUETOOTH / AUX / USB AUDIO SOURCE.
002. A LIT INDICATOR SHOWS WHICH SOURCE IS SELECTED.

- **WIRELESS Bluetooth CONNECTION (DEFAULT MODE)**  
FLASHING BLUE WHEN WAITING FOR CONNECTION, STAY BLUE WHEN CONNECTED.
- **AUX 3.5 mm STEREO JACK** SLOW FLASHING BLUE+GREEN
- **USB** SLOW FLASHING GREEN WHEN READING, STAY GREEN WHEN PLAY

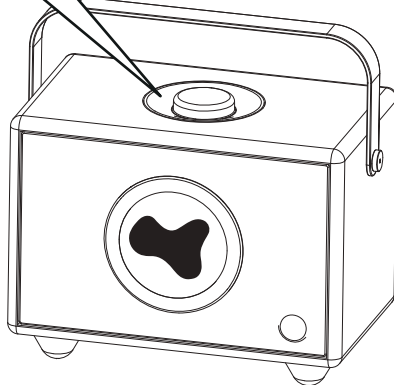
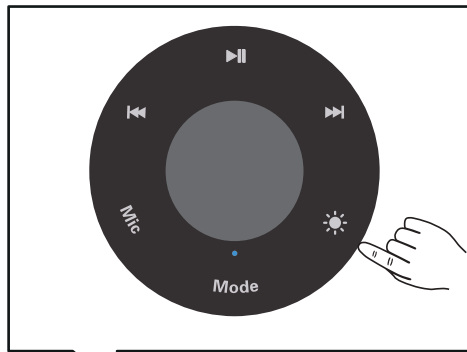


008.

## LED LIGHT

### ☀ LED BUTTON

PRESS ☀ LED BUTTON TO TOGGLE BETWEEN DIFFERENT BACKLIGHT COLORS



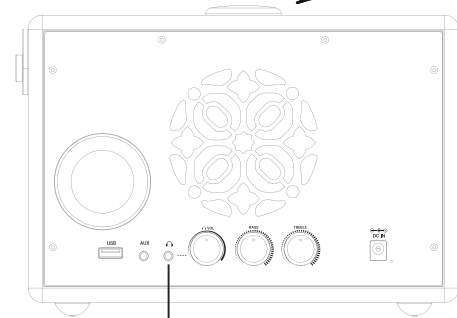
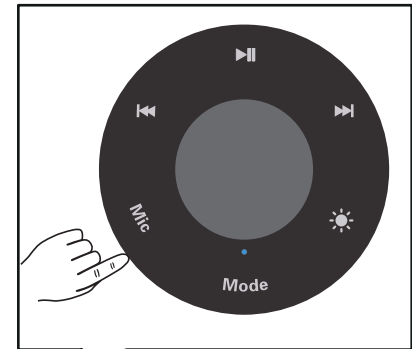
009.

## HOW TO USE MICROPHONE

### Mic BUTTON

PRESS Mic BUTTON, FERROFLUID WILL REACT TO YOUR VOICE OR AMBIENT SOUND, AS THE SPEAKER COMES WITH BUILT-IN MIC.

PRESS Mic BUTTON AGAIN, IT WILL RETURN TO MUSIC PLAYBACK MODE.



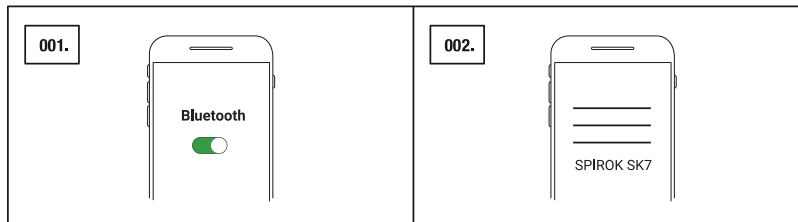
IF YOU DON'T WANT TO DISTURB OTHERS WHILE LISTENING TO MUSIC, YOU CAN USE HEADPHONE.

010.

## CONNECTING VIA Bluetooth (PAIRING)

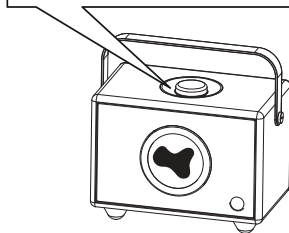
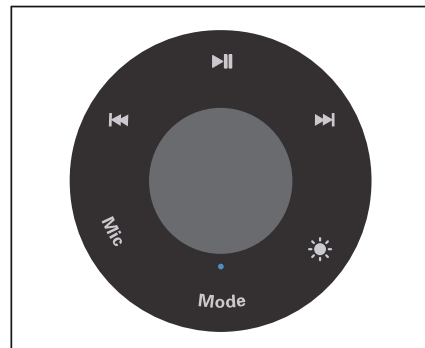
WHEN TURN ON SPIROK SPEAKER, THE DEFAULT MODE IS BLUETOOTH WAITING FOR PAIRING. THE BLUE INDICATOR STARTS TO BLINK.

001. ENABLE Bluetooth ON YOUR DEVICE (SMARTPHONE, TABLET, COMPUTER).
002. SELECT SPIROK SK7 FROM THE Bluetooth LIST AND ACCEPT PAIRING. THE Bluetooth INDICATOR ON THE SPEAKER STOPS BLINKING AND REMAINS LIT WHEN THE UNITS ARE CONNECTED.



IF THE SPEAKER IS NOT IN BLUETOOTH MODE, HOW TO RETURN BACK TO BLUETOOTH MODE?

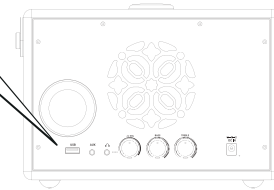
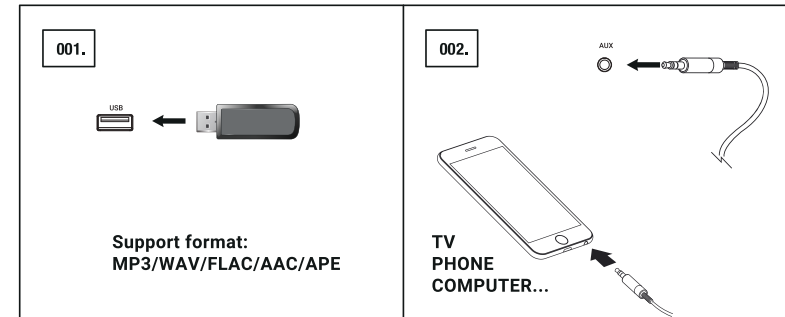
SHORT PRESS Mode BUTTON, THE BLUE INDICATOR STARTS TO BLINK. IT IS IN BLUETOOTH MODE AND WAITING FOR PAIRING.




011.

## CONNECTING VIA USB/AUX

001. STORE AUDIO FILES ON A USB DRIVE AND PLUG IT INTO THE USB PORT. PRESS Mode BUTTON TO SELECT USB AS THE INPUT. THE SPEAKER WILL PLAY THE MUSIC FROM THE USB DRIVE.
002. SELECT AUX AS THE INPUT. CONNECT THE OTHER END OF THE LEAD TO THE AUDIO OUTPUT ON YOUR AUDIO SOURCE.



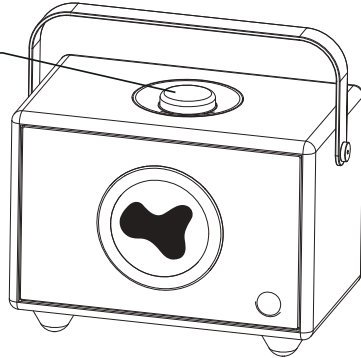
 NOTE: AUDIO LEADS ARE NOT INCLUDED IN THE SPEAKER.

012.

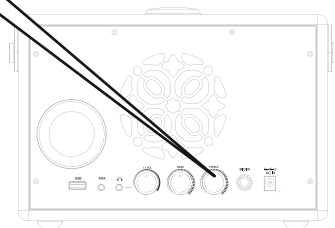
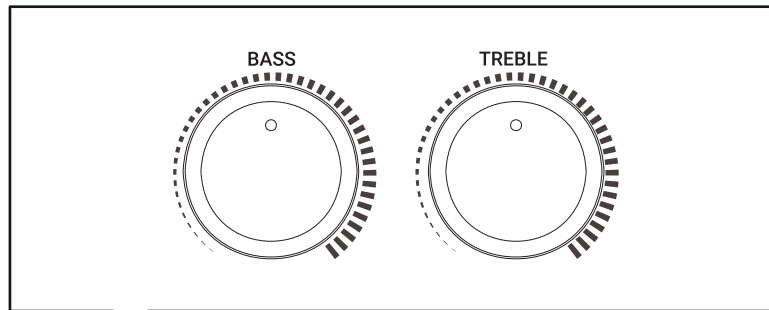
## ADJUSTING THE VOLUME

WHEN IN MUSIC PLAYING MODE, ROTATE THE KNOB ON THE TOP, TO ADJUST THE VOLUME.

1. VOLUME KNOB
2. CONTROL VIA Bluetooth DEVICE WIRELESSLY.



THERE ARE TWO KNOBS AT REAR PANEL, TO CONTROL THE VOLUME OF BASS OR TREBLE.

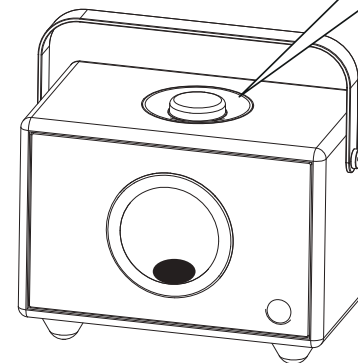
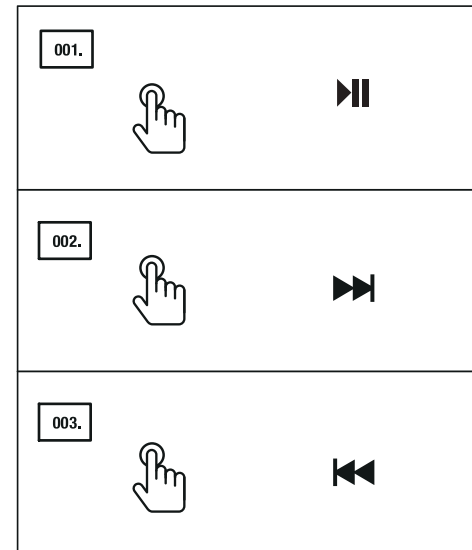


013.

## PLAY/PAUSE CONTROL

SPIROK SPEAKER HAS A PLAY/PAUSE BUTTON TO CONTROL THE MUSIC WHEN PLAYING VIA Bluetooth / USB.

001. SINGLE-CLICK  TO EITHER PLAY OR PAUSE.
002. SINGLE-CLICK  TO PLAY NEXT SONG.
003. SINGLE-CLICK  TO PLAY PREVIOUS SONG.



 NOTE: PLAYBACK CAN ALSO BE CONTROLLED FROM Bluetooth DEVICE.

014.



## STANDBY MODE

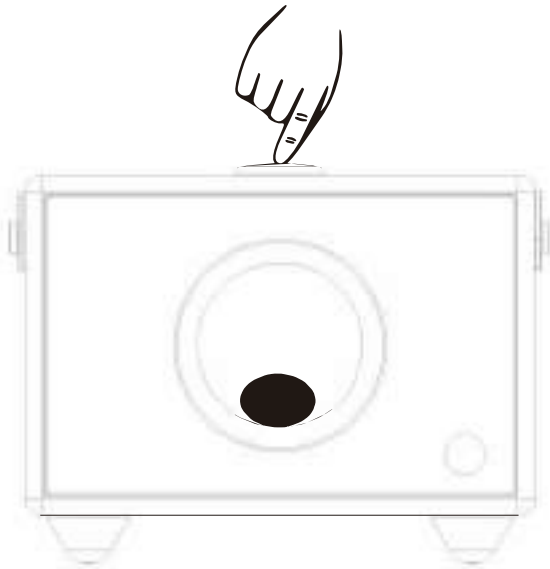
IF THE SPEAKER IS LEFT UNUSED FOR 20 MINUTES, IT GOES INTO STANDBY TO SAVE ENERGY. IN THIS MODE ALL INDICATORS ARE OFF.

PRESS AND HOLD THE TOP KNOB FOR 3 SECONDS TO WAKE THE SPEAKER UP FROM STANDBY MODE.

THE SPEAKER IS EQUIPPED WITH AN INTELLIGENT TEMPERATURE CONTROL SYSTEM. FOR SAFETY REASONS, ONCE THE TEMPERATURE IS TOO HIGH, THE FLUID WILL REST AND ONLY RETAIN THE FUNCTION OF PLAYING MUSIC.

WHEN THE TEMPERATURE OF THE FLUID BOTTLE RETURNS TO A SAFE STATE OF USE, IT WILL AUTOMATICALLY RESTART THE DANCE.

(WHEN THE FLUID IS IN A RESTING STATE AND YOU URGENTLY NEED TO USE IT, YOU CAN TRY BLOWING A FAN AT THE FLUID BOTTLE TO COOL IT DOWN, WHICH WILL ACCELERATE THE RECOVERY OF THE DANCING STATE)



015.

## TECHNICAL INFORMATION

### ACOUSTIC SPECIFICATION

- **STEREO LOUDSPEAKER WITH BASS REFLEX SYSTEM**
- **OUTPUT POWER:** 60W
- **TWEETER:** 2 x 2" 6Ω 15W dome tweeters
- **WOOFER:** 1 x 3.5" 4Ω 30W woofer
- **FREQUENCY RESPONSE:** 60–20,000 Hz
- **S/N. RATIO:** ≥80dB

### CONNECTIVITY

- **Bluetooth:** Bluetooth 5.3
- **AUX:** 3.5 mm stereo jack
- **USB**

### TECHNICAL INFORMATION

- **MAINS INPUT VOLTAGE:** DC 18V 3.0A
- **MAINS FREQUENCY:** 50–60 Hz
- **SIZE:** H247 x W165 x D121 mm
- **WEIGHT:** 3.2kg



NOTE: THE FRONT OF THE SPEAKER IS NOT REMOVABLE. THIS ILLUSTRATION INTENDS TO SHOW THE INTERNAL SPEAKER LAYOUT. DO NOT ATTEMPT TO REMOVE THE FRET FOR RISK OF DAMAGING YOUR SPEAKER.

016.

## TROUBLESHOOTING

PROBLEM	CAUSE	ACTION
<b>THE SPEAKER DOES NOT TURN ON</b>	The speaker is not connected to a mains electricity supply.	Connect the mains lead to the Speaker and a working wall socket. Pull and hold the power lever towards the front of the speaker until the indicators light up.
<b>THERE IS NO AUDIO OR AUDIO IS TOO LOW</b>	The wrong audio source is selected.	Ensure that the device is connected to the Speaker.
	Volume is set too low on either the audio source or the speaker.	Slightly increase the volume on your audio source or the speaker.
<b>CANNOT CONNECT OR PAIR WITH A Bluetooth DEVICE</b>	Bluetooth is not enabled on your device (smartphone, tablet, computer).	Activate Bluetooth on your device.
	There is already a device connected to the speaker	Disconnect the connected Bluetooth device before connecting to the speaker
	The speaker is not in pairing mode.	Press Mode button for 3~4 times. When the blue indicator starts to blink, it's in Bluetooth mode and waiting for pairing.

## TROUBLESHOOTING

PROBLEM	CAUSE	ACTION
<b>THE SPEAKER IS NOT RESPONDING</b>	A software problem has occurred.	Unplug the speaker mains plug from the wall socket, wait for 15 seconds, then plug it in again.
<b>THE SPEAKER IS NOT RESPONDING</b>	The Bluetooth device is too far apart or the connection is affected due to obstacles.	Move the device closer so that they are within 10 metres, and unobstructed by obstacles such as walls or doors.
	There is a strong electric field surrounding the speaker.	Items such as microwave ovens, wireless network adapters, fluorescent lights and gas cookers use the same frequency range as the Bluetooth device. This may lead to electrical disturbances.
<b>THERE IS A CRACKLING SOUND</b>	The amplifier is clipping as it has run out of output power.	Decrease the volume on your audio source.
		Lower the volume on the speaker.

## TROUBLESHOOTING

PROBLEM	CAUSE	ACTION
<b>THE AUDIO IS DISTORTED</b>	Volume is set too high on the audio source.	Turn down the playback volume on the audio source.
	The audio stream or audio file is of poor quality.	Try another audio file or music player.
	Volume is set too high on the speaker.	Lower the volume on the speaker.
<b>ERRATIC PERFORMANCE</b>	Interference from another electronic device.	Move the speaker to another spot.
		Turn off or move the interfering electronic device.



**NOTES:**

A BLUETOOTH DEVICE COULD CAUSE AUDIO-RELATED OR TECHNICAL FAULTS, DEPENDING ON USE, IN THE FOLLOWING CASES:

- WHEN SOME PART OF THE BODY IS IN CONTACT WITH THE RECEIVING/TRANSMITTING SYSTEM FOR THE BLUETOOTH DEVICE OR THE SPEAKER.
- ELECTRICAL VARIATIONS DUE TO OBSTACLES IN THE FORM OF WALLS, CORNERS, ETC.
- EXPOSURE TO ELECTRICAL DISRUPTIONS FROM DEVICES WITHIN THE SAME FREQUENCY BAND, FOR EXAMPLE MEDICAL EQUIPMENT, MICROWAVE OVENS AND WIRELESS NETWORKS.

THIS WIRELESS DEVICE MAY CAUSE ELECTRICAL DISRUPTIONS DURING USE.

This device complies with part 15 of the FCC Rules. Operation is subject to the following two conditions: (1) This device may not cause harmful interference, and (2) this device must accept any interference received, including interference that may cause undesired operation.

Any Changes or modifications not expressly approved by the party responsible for compliance could void the user's authority to operate the equipment.

**Note:** This equipment has been tested and found to comply with the limits for a Class B digital device, pursuant to part 15 of the FCC Rules. These limits are designed to provide reasonable protection against harmful interference in a residential installation. This equipment generates uses and can radiate radio frequency energy and, if not installed and used in accordance with the instructions, may cause harmful interference to radio communications. However, there is no guarantee that interference will not occur in a particular installation. If this equipment does cause harmful interference to radio or television reception, which can be determined by turning the equipment off and on, the user is encouraged to try to correct the interference by one or more of the following measures:

- Reorient or relocate the receiving antenna.
- Increase the separation between the equipment and receiver.
- Connect the equipment into an outlet on a circuit different from that to which the receiver is connected.
- Consult the dealer or an experienced radio/TV technician for help.

FCC Radiation Exposure statement

The device has been evaluatec to meel general RF exposure requirement. The device can be used in porlable exposure condition without restriction.

# **SPIROK SK7**

Copyright ©2024 All Rights Reserved.  
Manual Edition 1.0, April 2024  
Printed in China

Shenzhen Yixiu Technology Co.,LTD  
Made in China