

Product Specifications sheet



Specification No.	202404019001
Effective date	2024/4/19

Customer Name:	蓝钦思
Product Model	耳机无线充线圈 (Earphone wireless charging coil)
DZ Part No.	TX-DZ43.505.300.65-K6.5-L30 (double-slotting)
Customer item No	TC11

New issue, version revision

【 This specification includes contents and 7 pages in total 】 【 RoHS Compliant Parts 】

organize	Check	Approval
钟建立 Zhong jianli	/	马湘平 Ma xiangping

Guang Dong Top Wiser Electronic Technology Co., Ltd

Factory address:Address; 1F, 1231 Yingbin Avenue, Longmen County
, Huizhou City, Guangdong Province

Tel: 13147097490

【Within 30 days after the customer receives this acknowledgement, please return it with your signature and seal. If it is overdue, it will be deemed that the production will be carried out according to the standards of this acknowledgement】.

【customer approval】

Date:

Recognition status: full recognition conditional recognition refusal

Approval	Review	Recheck	Check

remark:

Product Specifications sheet

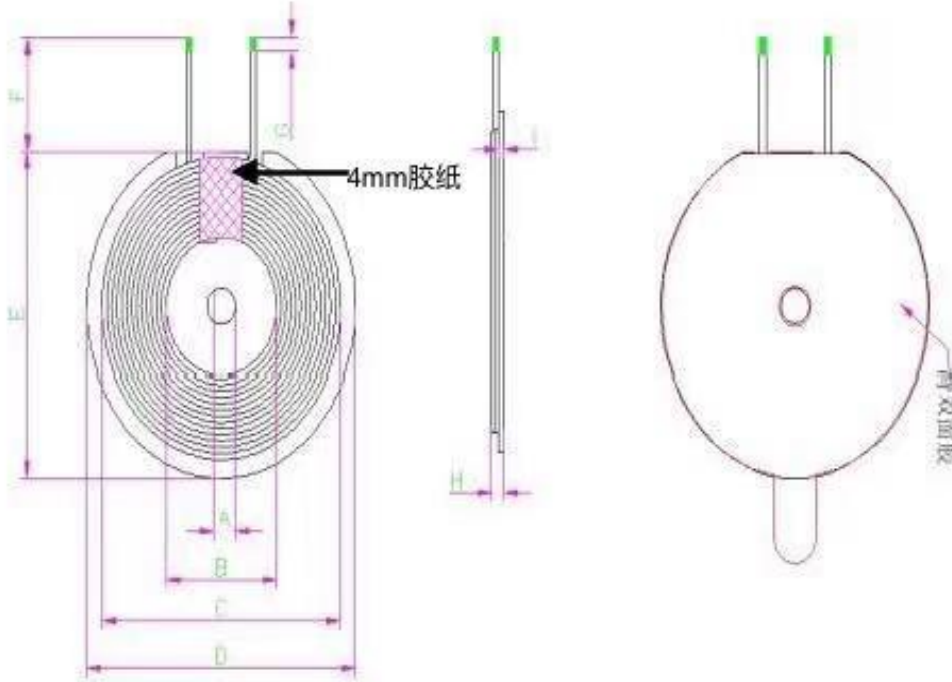
Customer Name:	蓝钦思	item	TC11
DZ Part No.	TX-DZ43.505.300.65-K6.5-L30 (double-slotting)	Specification No.	202404019001
Issue/Revision History			
Version	Effective date	Change content / reason	Approval
01	2024/4/19	New specification release	钟建立Zhong Jianli
organize		check	approval
钟建立Zhong Jianli		/	马湘平 Ma XiangPing

Product Specifications sheet

Customer Name:	蓝钛思	Customer item No	TC11		
DZ Part No	TX-DZ43.505.300.65-K6.5-L30 (double-slotting)	Specification No.	202404019001	Version	01

◆ Overall dimensions

(unit: mm)



A	5.2 ±0.5
B	20.0 ±1.0
C	38.5 ±1.5
D	43.5 ±1.0
E	43.0 ±1.0
F	30.0 ±2.0
G	3.0 ±2.0
I	±0.2 (Magnetic sheet) 0.65
H	1.70 ±0.4
(1)Wire diameter: 0.08 * 24P*2P enameled wire (2)Number of windings: 10TS (3)Whether the starting and ending lines cross: Yes (4)The coil and magnetic sheet shall be pasted in the center (5)Coil wrapped with 4mm high temperature adhesive tape (6) Disc back 42 rounds white glue	

◆ Electrical characteristics::

parameter	specification	Test conditions	Test instrument
L0	6.5 ±10% μH	100KHz/1V	■TH1816B
Q	>20 min	100KHz/1V	■TH1816B
DCR	<80 mΩ	@ 25°C	■CH-502BC

◆ Temperature class:

Operating temperature	-40°C~ 125°C
-----------------------	--------------

◆ list of materials:

Item	Product Name	Material specification	Supplier	Remark
1	Magnetic sheet	43.5*5.3*0.65T开双槽 (double-slotting)		PC40
2	Copper wire	0.08*24*2P		enameled wire
3	High temperature adhesive tape	棕色4MM		ROHS
4	tin	107H		ROHS
5	Double-sided tape	42 rounds white glue		ROHS
6	glue	Yellow gum		ROHS

organize	check	approval
钟建立 Zhong Jianli	/	马湘平 Ma Xiangping