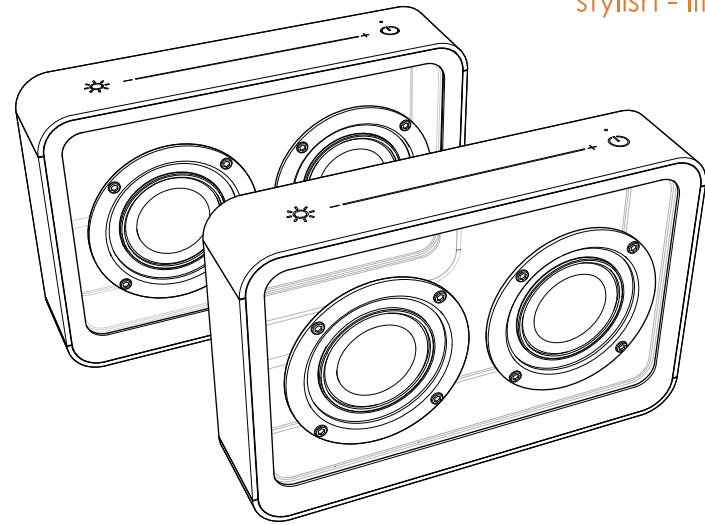


Mage See-through Bluetooth Speaker

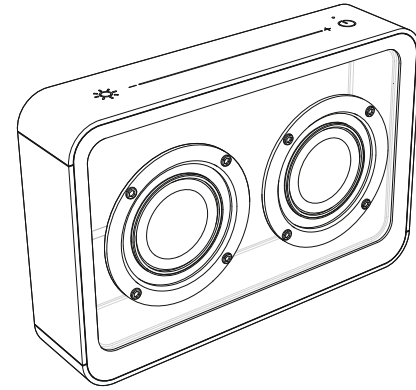
stylish - lifestyle - inspiring



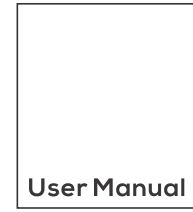
User Manual



ACCESSORIES



A



B



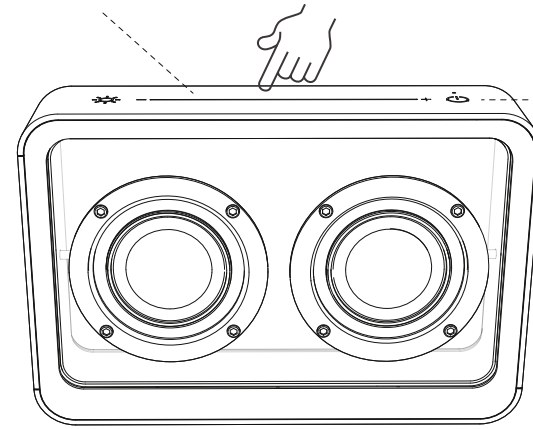
C



Product Introduction

Touch Control Bar

Swipe on the touch control bar from left to right or right to left to increase or decrease the volume;
Long touch on "-" or "+" to switch to the previous or next song.



Power / Pause/Play TWS Button

- Long press to turn on/off the power.
- Short press to pause or play.
- Quick double press to pair up another

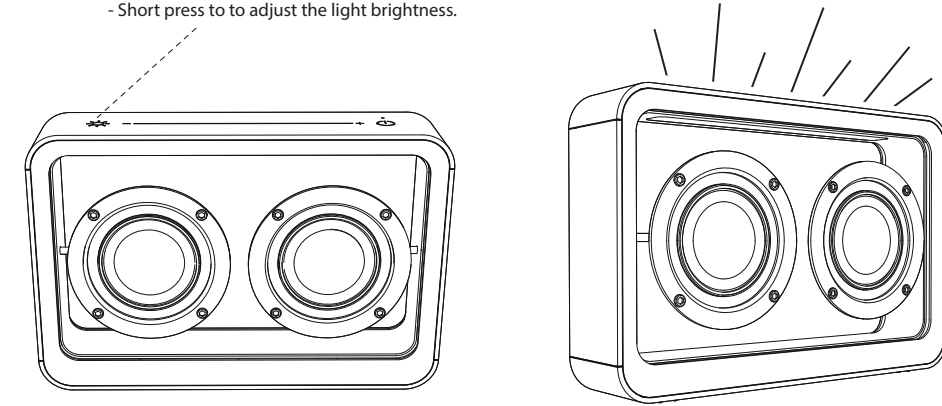
Gingko Mage Transparent Speaker to enjoy great wireless stereo sound.
* (TWS - true wireless stereo function is only available when you have two units HiFi Speaker)



Night Light Function

Night Light Mode

- Long press to turn on the speaker.
- Short press to turn on the lights
- Short press to adjust the light brightness.



Mage See-through Bluetooth Speaker | stylish - lifestyle - inspiring

TWS / Bluetooth Speaker



www.gingkodesign.com
Copyright ©Gingko Electronics Ltd
All rights registered

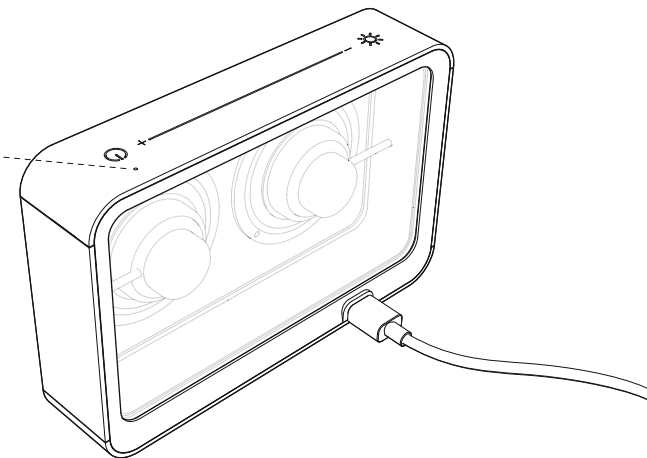
Designed in England by Gingko, Responsibly Made in China
Printed in China



Charge Introduction

Power Indication Light

- Indication light will be flashing in white before bluetooth is paired and stays on after paired.
- Indication light in red when it's charging and the light will turn off when it's fully charged.

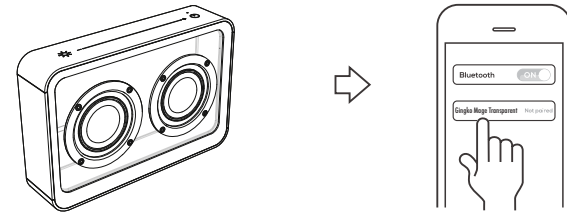


- Connect to any USB adapter with an output 5V-2A to charge the product.
(USB cable included, USB adapter is not included)

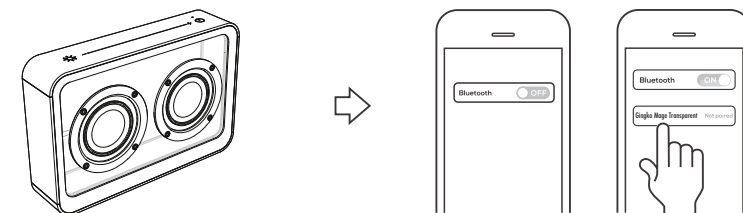


Bluetooth Connection

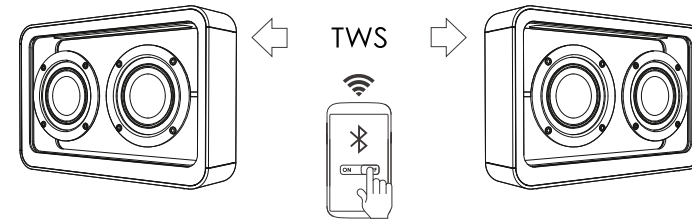
- When the speaker is turned on, you can find "Gingko Mage Transparent" in the bluetooth list on your bluetooth device and touch to connect it.



- If "Gingko Mage Transparent" is not found on your device, press turn off the power of the speaker to reset bluetooth, or turn off and turn back on the Bluetooth function on your device, then search on your device again and find "Gingko Mage Transparent" to pair it.



TWS Pairing Mode



TWS Mode

At TWS mode (true wireless stereo), you can pair up two speakers to have a greater stereo sound.

1. TWS mode is only available when you have two Gingko Mage Transparent Speakers.
2. Turn on both speakers.
3. Quickly double press the power button on one of the Gingko Mage Transparent until you hear a tone "Di" (Please make sure none of the speakers has been paired with any bluetooth device first before the TWS Pairing operation)
4. If successfully paired, a single tone "Dong" is played. Then A quick white flashing light indicates the main speaker. The other speaker is vice speaker (the white light will stay on without any flashing).
5. Connect audio device to main speaker and play.
6. When turning off the main speaker, the vice speaker will be automatically turned off too.
7. If powered turned off and back on again, the two speakers should reconnect automatically. If they do not, repeat steps above to set up again.



Product Warranty

This product is covered under one year manufacturer warranty starting from the date of purchase.
Within the warranty period, any repair service or components replacement will be provided for free.

Warranty does not apply to the following circumstances:

1. Product failure due to improper use, misuse, drops, abuse, alteration, faulty installation, power line surge or modification
2. Product failure due to acts of nature such as natural disaster, fire, flood, or casualty.



Safety Instructions

1. Avoid this device from accidental drops, physical shocks, and any long exposure to the sun or rain.
2. Keep this device in a clean/dry environment of 0°C - 40°C in temperature. The ambient humidity of the device should not exceed 75% so as to avoid corrosion damage.
Do not approach the device to a heat source such as fire.
3. Never dispose of any electrical or electronic waste in general circulation.
Collect and dispose of such waste safely and separately.

Failure to follow these safety instructions may result in unexpected damage of this device.
The company is not responsible to any result caused by violation of safety instructions above.

Mage See-through Bluetooth Speaker | stylish - lifestyle - inspiring

TWS / Bluetooth Speaker

FCC Statement

Changes or modifications not expressly approved by the party responsible for compliance could void the user's authority to operate the equipment.
This equipment has been tested and found to comply with the limits for a Class B digital device, pursuant to Part 15 of the FCC Rules. These limits are designed to provide reasonable protection against harmful interference in a residential installation. This equipment generates uses and can radiate radio frequency energy and, if not installed and used in accordance with the instructions, may cause harmful interference to radio communications. However, there is no guarantee that interference will not occur in a particular installation. If this equipment does cause harmful interference to radio or television reception, which can be determined by turning the equipment off and on, the user is encouraged to try to correct the interference by one or more of the following measures:
-- Reorient or relocate the receiving antenna.
-- Increase the separation between the equipment and receiver.
-- Connect the equipment into an outlet on a circuit different from that to which the receiver is connected.
-- Consult the dealer or an experienced radio/TV technician for help
This device complies with part 15 of the FCC rules. Operation is subject to the following two conditions (1) this device may not cause harmful interference, and (2) this device must accept any interference received, including interference that may cause undesired operation.

