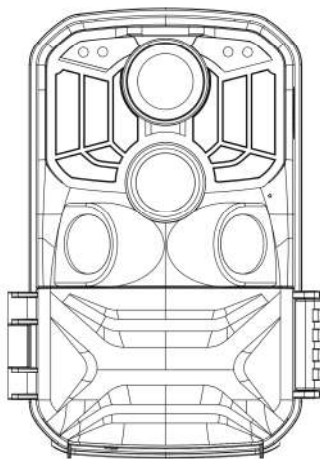


# User Manual

Model No.: D61T1A



V1.0

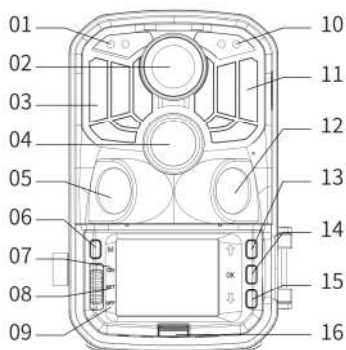


## Contents

1. Introduction	01-02
2. Precautions	02-05
3. Usage of Camera	05-11
4. Playback	11-12
5. WiFi Connection	12-17
6. Installation and positioning	18
7. On Mode	19
8. Night Working Mode	19
9. Videos/photos/dates output	20
10. Specification	20-21
11. FAQ	22-23
12. Packing List	24
13. Disclaimer	25

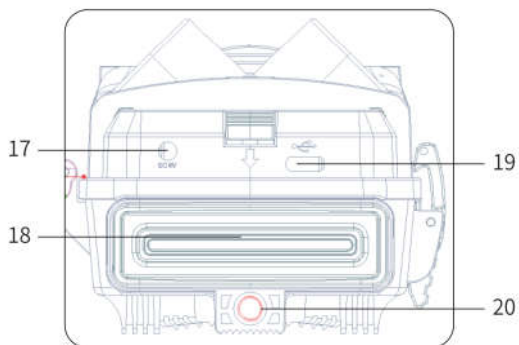
## 1. Introduction

### Appearance and buttons



01	Side PIR LED	02	Lens
03	Night vision LED	04	Main PIR
05	Side PIR	06	Menu button
07	On mode	08	SET mode
09	OFF mode	10	Main PIR LED

11	IR lights	12	Side PIR
13	UP button	14	OK button
15	DOWN button	16	Battery box



17	DC Power 6V	18	Battery box
19	USB port	20	Mount hole

## 2. Precautions

### 2.1 Memory card

- This hunting camera must use a brand high-speed SD card above class 10 or higher. Please format the memory card before us.
- Multiple or improper using the memory card will reduce its performance or damage recorded data, please replace the memory card if the memory card is destroyed.

### 2.2 Battery

- 4pcs or 8pcs 1.5V AA dry batteries are required for the maximum battery life. Used and new batteries cannot be mixed.
- When the camera does not use for a long time, please remove the battery to avoid leakage damage to the camera.

Noted: Do not use the chargeable battery. The low voltage of the battery can affect the use time of the camera.

### 2.3 Hunting camera introduction

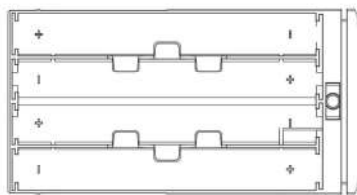
- This hunting camera is equipped with an efficient infrared led, lens, PIR sensors.

- Clean the PIR lens if it is dirty during use.
- Cleaning steps: Try to blow it off or gently pick out the dirt, do not try to wipe it, otherwise it may cause more scratches. PIR lens scratches reduce PIR detection performance. Please remove the protected film on the PIR sensor. It will affect the monitor distance.
- Avoid error triggering, the device cannot be placed near heat sources.

## 2.4 Getting started

### 2.4.1. Install batteries

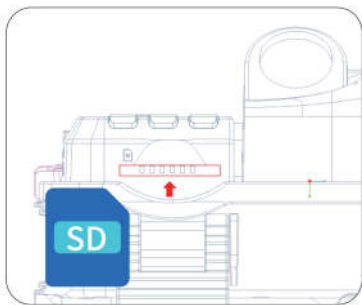
- Find the battery compartment button of the camera, press down and the battery compartment will be pop out. Install 4 or 8 pieces 1.5v AA battery as positive and negative marks in the battery box.



## 2.4.2. Inserting memory card

- Before operating camera, please insert SD card, please do not insert or pull out the SD card when the camera is working.

Note: if the SD card is not installed properly, the SD card icon on the down left corner of screen will show red icon and “no memory card” on screen.



## 3. Usage of Camera

### 3.1. Power on and off

- Off mode: the switch button locate “OFF” means Power off.



- **SETUP mode:** the switch button located " SETUP" means setting mode.
- **ON mode:** the switch button locate " ON" means it will be monitored status after count down.

### 3.2. Shortcut

- When the camera is on setup mode, press "UP" button to switch to video mode and press "Down" button to photo mode.

### 3.3. System settings

- Pull the switch to "setup" mode, press "MODE" button twice to enter the setting interface. Then set system parameters according to the menu display on the screen. Press the "Up-/Down" button to move, press "OK" button to confirm and save the change (if do not press "OK" button to save the change, you will lose the new settings), press "MODE" button again to return to previous menu or exit.

#### 3.3.1 Mode

- Motion detection, time-lapse Normal and time-lapse video can be chose here.

- Detection delay can be set from 0.5 second to 1 hour.
- Time-lapse normal: time-lapse interval Hour/min (minute) / Sec (Second) can be set up
- Time-Lapse video: time-lapse interval Hour/min (minute) / Sec (Second) can be set up

### 3.3.2 Work Time

- Select “ON” to set the starting working and ending working time. After finishing setting, the camera only works during the setting time every day. Beyond the period, the camera is in standby. Select “off”, then it will work all day.

### 3.3.3 Photo or Video

- There are three working modes in the camera: Photo mode, Video mode, Photo+Video mode.

**Note: when the machine is working in "setup" mode, and has not operated the machine for more than a certain period of time, in order to save electricity, the machine automatically shuts down, the user can click any button to open the screen, restore the display.**

### **3.3.4 Photo Quality**

- Select a photo resolution: 2MP, 4MP, 8MP, 8MP, 16MP, 20M, 24MP, 32MP. The larger the file size is, more detailed the photos are. However, the larger size files take more memory space to store.

### **3.2.5. Video Resolution**

- Select the video resolution: 720P, 1080P, 2.7K. The higher the resolution is, more detailed the videos are. However, the larger size files take more memory room to store.

### **3.3.6. Photo Burst**

- Select 1 photo, 2 photo, 3 photos, 4 photos, 5 photos.

### **3.3.7. Video length**

- The video length is optional between 5-59seconds or 1-10 minutes. The longer the recording time selected, the shorter the operating time is. The default video length is 10 seconds.

### **3.3.8. Audio recording**

- The audio can be on or off when recording videos.

### **3.3.9. Detection Delay**

- The detection delay is optional between 5seconds to 1 hour.

#### **3.3.10. PIR Sensitivity**

- The sensitivity of the main motion sensor is set here. For interior areas and environments with little interference, select “High” . Select “Middle” for exterior areas and environment with a normal amount of interference, and select “Low” for an environment with a high level of interference.

#### **3.3.11. Side Motion Sensor**

- The side motion sensor can be on or off.

#### **3.3.12. Motion Filter**

- The motion sensor can be on or off. This is to help to filter mistake shot.

#### **3.3.13. Motion Test**

- Here you can test how the camera work.

#### **3.3.14. Fill light Distance**

- There are three optional: far (around, middle and near.)

#### **3.3.15. Date & Time**

- Set the time and date format: adjust the corresponding time date according to local time, press UP / Down buttons to modify the size of the value, press the "OK" button to switch to the next location to be modified, and press the "menu" button to exit.

- Time format: 24H/12H

- Date format: D/M/Y, M/D/Y, Y/M/D

### **3.3.16. Loop Record**

- On and off can be chose. If it is on, once the memory card is full, it will delete the previous files and continue recording. If it is off, once the memory card is full, it will stop recording.

### **3.3.17. Beep Sound**

- On and off can be chose.

### **3.3.18. Memory Card Format**

- Select "Yes" and press "OK" to format the memory card. Select "No" to cancel.

### **3.3.19. Language**

- There are many languages can be chose. Press "OK" to con-

firm the choose.

### **3.3.20. Password Protection**

- Press the "OK" button. Then set a 4-digit combination password between digit 0-9. If you forget the boot password, when the camera is off, press and hold "UP button"& "OK button " together, then set the mode button to "test" mode, the camera will be unlocked.

### **3.3.21 Factory Reset**

- Press "Yes" to restore factory and press "No" to cancel.

### **3.3.22. Version Info**

- Firmware version number will be showed.

## **4. Playback**

- Press the "MODE" once to the playback mode. Press "PLAY" button and Up/Down Button to review the photos/videos. While reviewing photos, press Up/Down button to page up/down. While reviewing videos, press "OK "Button to start playing, press "OK" one more time to stop. Press "MODE"

button to return.

#### **4.1 Delete current file**

- In playback mode, long press the "MODE" button, select "delete current file", press "OK" to confirm, press right button to select "Delete" again, press the "OK" button to confirm the deletion of the file.

#### **4.2 Delete all files**

- In playback mode, press the "MODE" button, select "Delete all documents", press "OK" to confirm, and right-click "Delete" to confirm the deletion of the file again by pressing the "OK" button.

## **5. WiFi function**

5.1. The app name is "TrailCam Go" . IOS can be downloaded from app store which Android can be downloaded from Google play. You can also scan below and download:



5.2. Make sure the camera is on ON mode or SET mode and close to you ( no more than 50 meters).

- Please always choose agree when enter the app first time.
- Please make sure your mobile phone Bluetooth, WiFi and GPS have been turned on to connect with the camera. If you did not turn on this function, there will be note with “!”.



5.3. Click “+” to add the device. Choose “WiFi Camera” and click to next step.

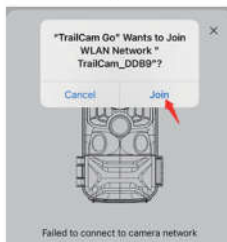




5.4. It will pop out a connection dialogue. Click “connect camera” and follow the prompts to connect with camera. Click “click with other camera” to connect with more device.



5.5. During the connection, it will pop out a dialog to connect with your WLAN. Click “connect” and wait for a few seconds. Click “finish” when successfully connected.



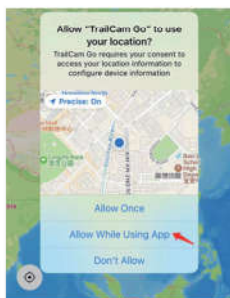
5.6. When camera is connected, you need to put in words to describe the location of the camera. Click connect again to the enter below interface. Now you can preview/ record / shot /replay on the app.



5.7. Click the mag on the app, you can find the location of the camera. Please make sure you have described it. If you use several models at the same camera, you can click the “camera list” and edit the location for each device.

**Note: Please confirm whether your location is turned on. "TrailCam Go" needs permission to use location information, please click "Allow While Using App".**

- Click “Allow While Using APP”



- Click Camera list and then you can Edit the location description.



- Click below to edit.



5.8 Click home to main page and click the name camera to enter the main interface to take video / Photo, and check Gallery and Statue as well as setting.

- Click “Home” at the left bottom to home page



- Click the named camera to enter the main page



Take video / Photo , and check Gallery and Statue as well as setting in the main page



## 6. Installation and positioning

Calibrate the camera installing position

- To verify that the camera effectively monitors the selected area, pull the switch to “SETUP” and fix the camera.
- Within the monitoring area you want, try different distances and angles to move repeatedly around the camera, the led lights flash to prove with the monitoring range. The led light does not flash to proves outside the monitoring range.
- The results verified by the test will help you find the best place to install your camera.
- The height of the camera places from the ground should be depending on the size of the animal, generally, 3~6 feet are better.
- Make sure the camera is working without any interference, and that direct sunlight or near the branches should be avoided.
- The detecting range of the sensors is  $120^{\circ}$  . And the recording angle of the camera is about  $90^{\circ}$ .

## **7. On mode**

- The camera is switch to the “ON” mode. After 10 seconds, the display will turn off and go into monitoring mode. The camera will start to operate independently and will go into standby mode. As soon as any animals or similar enter the detecting range of the motion sensors, the camera will be activated and detect the motion. If the wild animal keeps moving to the detecting range of the sensor zone, the camera will start capturing photos and/or videos. If the animal moves out of the detecting range of motion, the camera will switch off and return to monitoring mode.

## **8. Night working mode**

- When the camera works at night, the infrared light will turn on anatomically to illuminate about 3-20 meters, it can cause overexposure if the animal is too close to the camera.

## 9. Videos/photos/dates output

Connect with computer to view video or photos

- Connect the camera with the computer through the USB-C cable.
- After successful connection, there would appear a new driver named mass storage on the computer. Photos and videos can be found in “DCIM/100MEDIA” in the mass storage and can be copied to the computer.

**Note: Do not disconnect the data cable during downloading files to avoid data loss, and do not plug memory card when connecting.**

## 10. Specifications

Image sensor	4MP CMOS sensor
Function modes	Video recording/Photo/Playback
Lens	FOV = 90°
LCD	2.0 inch
Photo Resolution	2MP, 4MP, 6MP, 8MP, 16MP, 20M, 24MP, 32MP

Video Resolution	720P, 1080P, 2.7K
Memory Type	SD Card Up to C10
Photo Format	JPEG
Video Format	MP4
USB Connection	TYPE-C
Power Supply	External DC power supply 6V/2A or 4*1.5AA battery or 8*1.5AA battery
Language	English/French/Spanish/German/ Portuguese/Italy/Chinese
Mic	Built-in Microphone
Speaker	Built-in speaker
Working temperature	-20°C to +60°C
Storage temperature	-30°C to +70°C
Camera Weight	About 390g
Dimension	138X83X62mm



## 11. FAQ

**FAQ:Camera cannot take photo properly**

Analysis:1. PIR protected film is not removed;

2. Whether the installation is in a valid range or not.

Solution:1. Please check if remove the PIR protected film or not;

2. Please check the installation position is better

**FAQ:Camera cannot take photo properly**

Analysis:1. PIR protected film is not removed;

2. Whether the installation is in a valid range or not.

Solution:1. Please check if remove the PIR protected film or not;

2. Please check the installation position is better

**FAQ:Do not turn on**

Analysis:The battery is inverted, or the battery have no power

Solution:Please check and invert the battery or replace with the new battery

**FAQ:No pictures inside the SD card**

Analysis:1. Bad SD card

2. Whether the card is locked or not format the SD card

Solution:1. Change and format the SD card, and check if the card can take photo and record properly.

#### **FAQ:WiFi Not connection**

Analysis:1.He camera is ON or not

2.Camera is far from your mobile phone

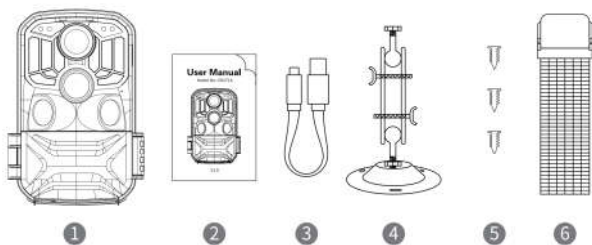
3.The power is low

Solution:1.Make sure the camera is ON

2.Make sure the camera is close to your mobile phone

3.Change battery if the power is low. WiFi cannot be connected if power is low

## 12. Packing List



01 Hunting camera \*1

02 User manual\*1

03 USB Cable\*1

04 Wall mount\*1

05 Screws\*3

06 Mounting Belt\*1

### 13. Disclaimer

- The product design specifications are formulated according to the latest information at the time of writing this manual. If there is any change without prior notice, please refer to the actual camera.
- Don't use the rechargeable battery. The low voltage of the rechargeable battery will affect the camera life. When the camera is not used for a long time, please remove the battery to avoid leakage and damage to the camera. Factory will not bear any responsibility because of these issues.
- The factory is not responsible for any damage caused by improper use.
- Disassembling without permission is strictly prohibited. If disassembling without permission, the factory will not bear any responsibility.



FC RoHS CE  

Made in China

### FCC Statement

This device complies with part 15 of the FCC Rules. Operation is subject to the following two conditions:

- (1) This device may not cause harmful interference, and
- (2) this device must accept any interference received, including interference that may cause undesired operation.

This equipment has been tested and found to comply with the limits for a Class B digital device, pursuant to part 15 of the FCC Rules. These limits are designed to provide reasonable protection against harmful interference in a residential installation. This equipment generates, uses and can radiate radio frequency energy and, if not installed and used in accordance with the instructions, may cause harmful interference to radio communications. However, there is no guarantee that interference will not occur in a particular installation. If this equipment does cause harmful interference to radio or television reception, which can be determined by turning the equipment off and on, the user is encouraged to try to correct the interference by one or more of the following measures:

- Reorient or relocate the receiving antenna.
- Increase the separation between the equipment and receiver.
- Connect the equipment into an outlet on a circuit different from that to which the receiver is connected.
- Consult the dealer or an experienced radio/TV technician for help.

**FCC Caution:** Any changes or modifications not expressly approved by the party responsible for compliance could void the user's authority to operate the equipment. This transmitter must not be co-located or operating in conjunction with any other antenna or transmitter.

### RF Exposure

This device complies with FCC radiation exposure limits set forth for an uncontrolled environment. This equipment should be installed and operated with minimum distance 20cm between the radiator & your body.