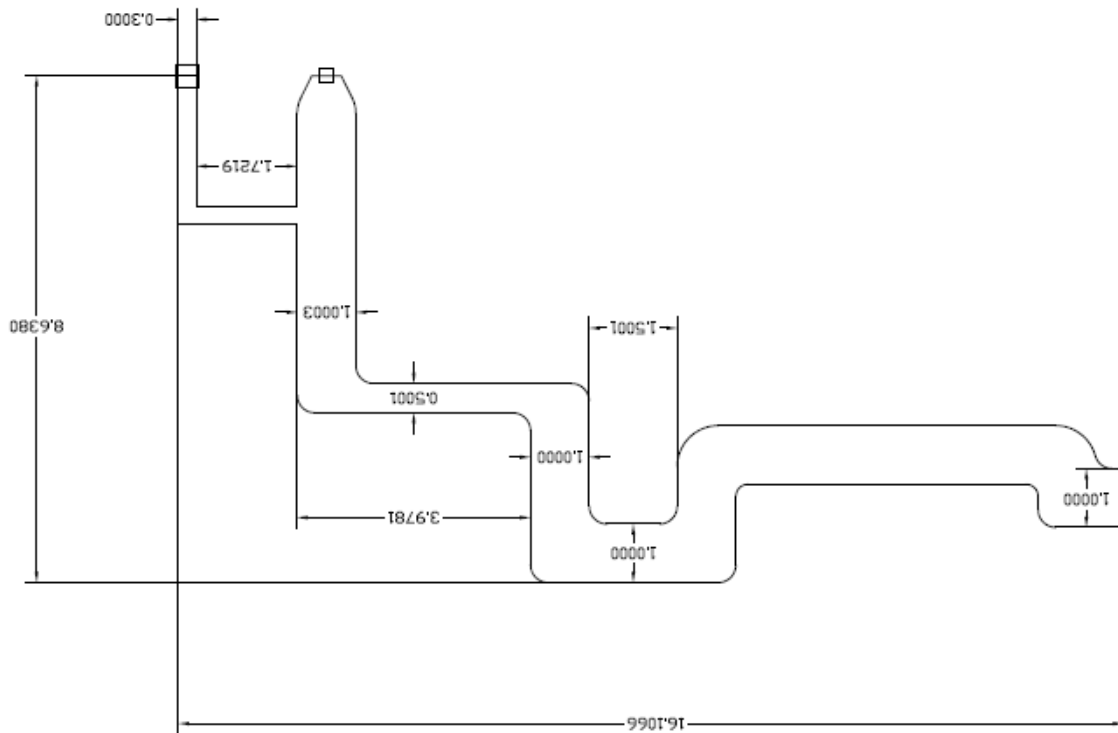


Antenna Specification

Summary

ITEM	ANT SPEC
Model Name	2.4G ANT
MAX. Gain	0dBi
Polarization	Horizontal and Vertical
Azimuth Beam Pattern	Omni-directional
Impedance	50 Ohm
Antenna Length	26.5mm
Manufacture	Shenzhen Renmo Electronic Technology Co., Ltd

(mm)



Frequency	Gain(dBi)
2400MHz	-0.49
2410MHz	-0.34
2420MHz	-1.06
2430MHz	-0.68
2440MHz	0
2450MHz	-1.01
2460MHz	-1.03
2470MHz	-1.00
2480MHz	-0.28
2490MHz	-0.86
2500MHz	-0.37