



Holiday Express

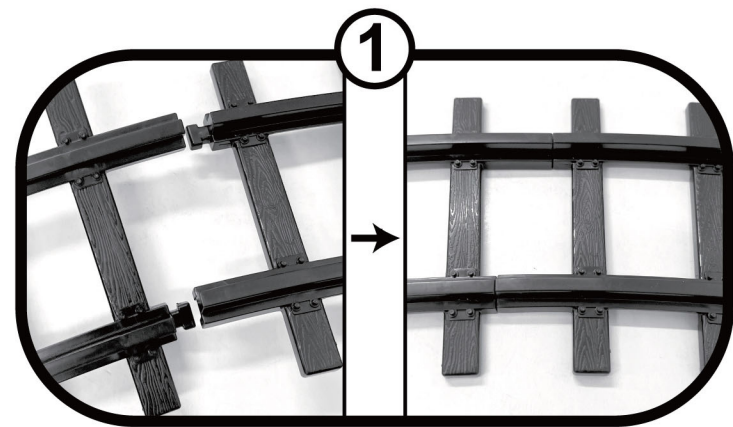
INTRODUCTION:

Congratulations on your purchase of the Holiday Express Train. Please read all instructions and warnings in this sheet prior to using your train. Keep this instruction sheet as it contains important information for future reference.

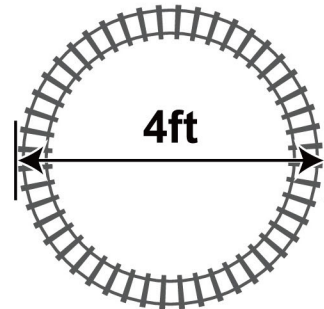
CONTENTS:



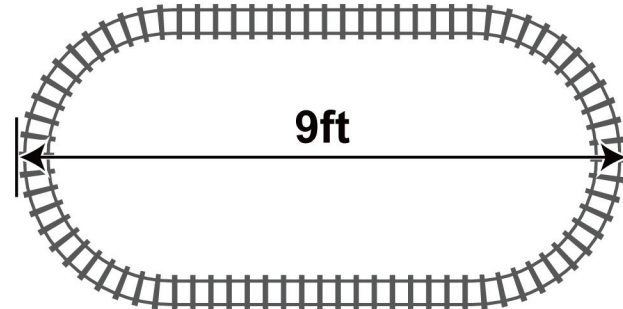
ASSEMBLY: Adult assembly and supervision required at all times.



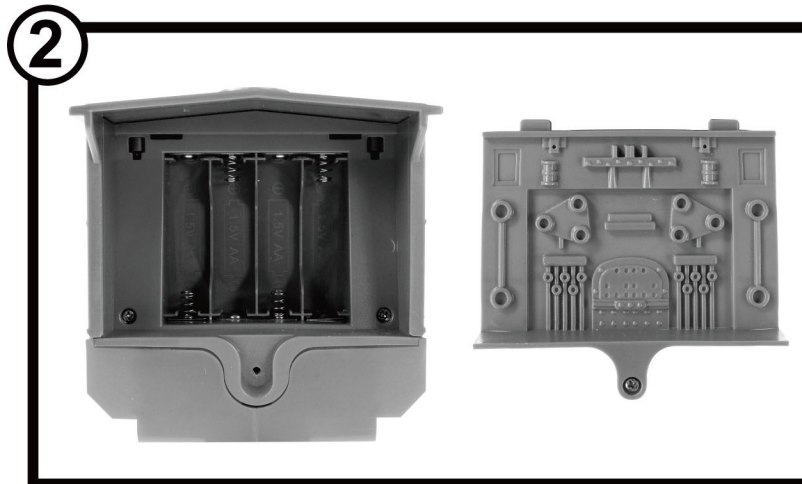
• For easiest assembly, connect track pieces together on the ground.



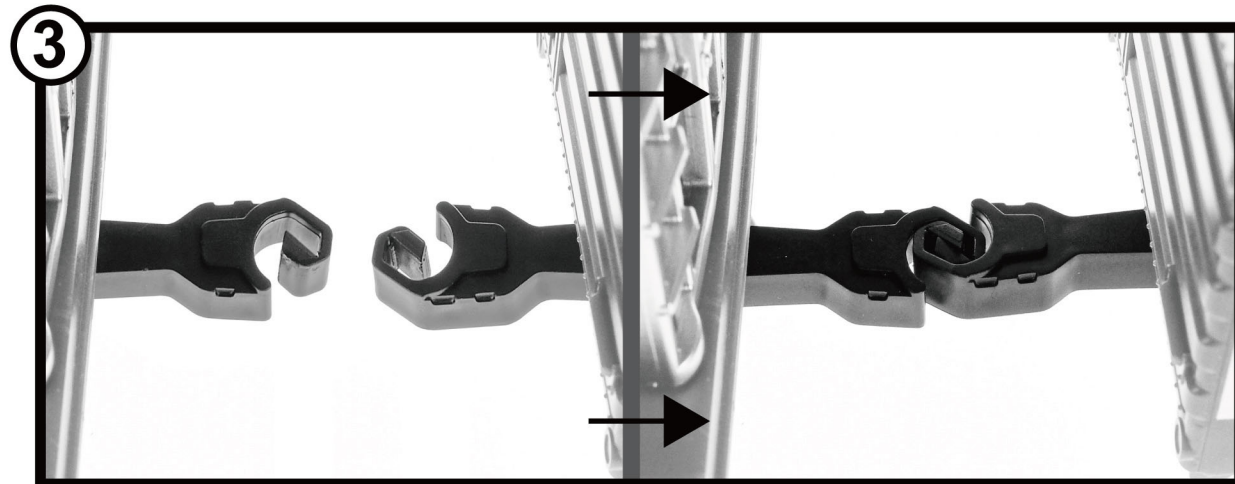
• Use 24 curved tracks to assemble a 4-ft circle.



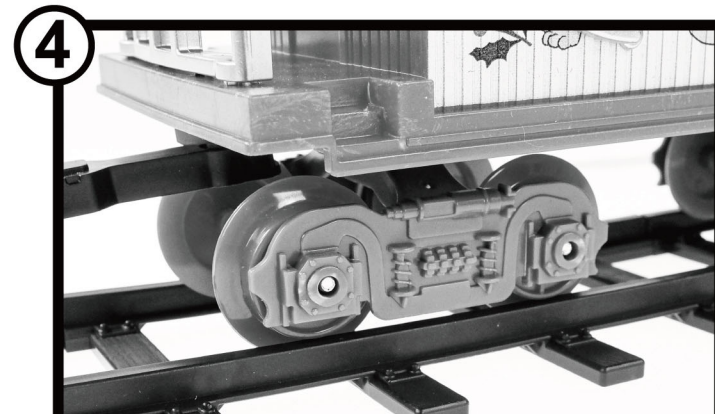
• Use 24 curved & 20 straight tracks to form a 9-ft oval track.



• Remove demo batteries and install new batteries.
• Use a screwdriver to remove the battery cover on the back of locomotive. (Screwdriver not included)
• Insert 4 "AA" batteries in the polarity shown.
• Put battery cover back in place.



• Place cars and locomotive on top of tracks.
• Connect them as shown above.

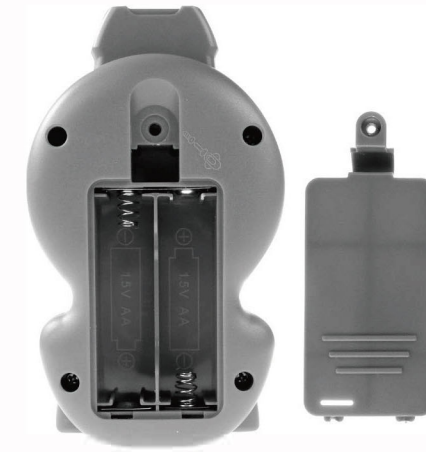


• Make sure the lip of all of the rail wheels is on the inside of the corresponding track.

BATTERY WARNING:

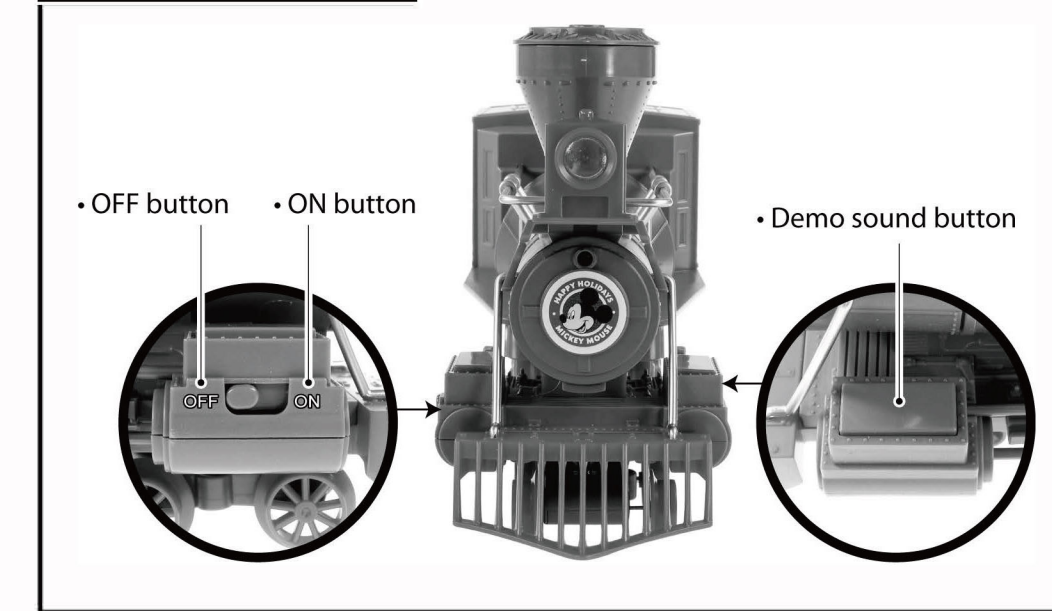
- Do not mix old and new batteries.
- Do not mix alkaline, standard (carbon-zinc), or rechargeable batteries.
- Insert batteries using the correct polarity. Do not short-circuit the supply terminal.
- Remove batteries when not in use. Recycle or dispose of exhausted batteries according to federal, state, and local laws. Do not dispose of batteries in a fire, as they may leak or explode.
- Only use manufacturer specified battery(ies), charger(s) and/or adapter, if applicable, specified by the manufacturer.
- Always use, replace, and recharge (if applicable) batteries under adult supervision.

KEEP THIS PACKAGE FOR REFERENCE AS IT CONTAINS IMPORTANT INFORMATION.



- Use a screwdriver to remove the battery cover. (Screwdriver not included)
- Insert 2 "AA" batteries in the polarity shown.
- Put battery cover back in place.

Locomotive:



OPERATION INSTRUCTIONS:

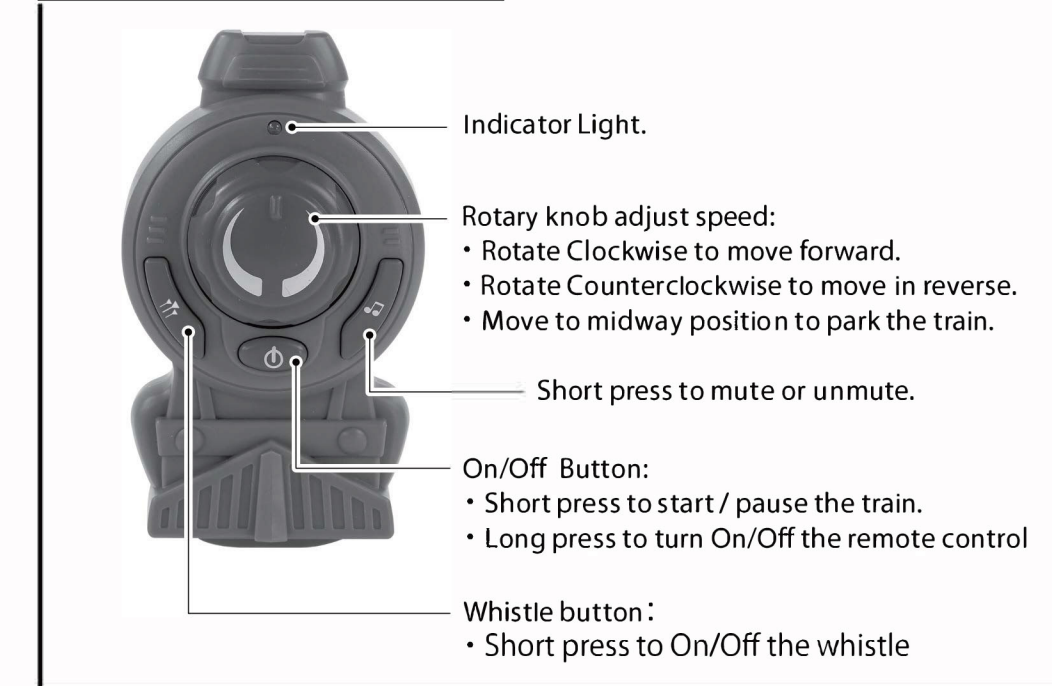
Pairing:

- Switch ON the power on the Locomotive. The locomotive will "beep" twice and the light on the front of the locomotive will flash at the same time.
- Press and hold the ON/OFF button on the remote control for 3 seconds (the red indicator light on the remoter will illuminate). If pairing is successful, the locomotive will "beep" once and the front light will change to steady on.
- If pairing fails, the light on the front of the locomotive will switch to flashing. Turn off both the locomotive and the remote control. Begin pairing process again.

Operation:

- Turn the indicator on the rotary knob to the 12 o'clock position. Short press the ON/OFF button on the remote control. The locomotive will start.
- Slowly rotate the knob clockwise and the train will begin to move forward. As you continue to rotate the knob, the train will increase its speed. To slow the speed of the train, slowly rotate the knob counter clockwise. Rotating all the way back to the 12 o'clock position will stop the train.
- Continue rotating the knob in the counter clockwise direction to make the train run backwards.
- Press the left button for train whistle.
- Press the right button to mute or unmute.
- Short press the ON/OFF button at any time to pause the train or resume movement. Press and hold the ON/OFF button on the remote control for 3 seconds to turn off the remote control.

Remote Control:



⚠ WARNINGS - PLEASE READ CAREFULLY BEFORE USE ⚠

- NEVER LEAVE THIS PRODUCT UNATTENDED DURING USE.
- TO AVOID DERAILMENTS BE SURE MOVING PARTS ARE CLEAR OF ALL OBSTRUCTIONS AND ALWAYS PLACE TRACKS ON A HARD FLAT SURFACE.
- INSPECT THE TRAIN AND THE TRACKS BEFORE EVERY USE. IF THERE ARE ANY CRACKS OR BROKEN PARTS, DISCONTINUE USE AND DISCARD IMMEDIATELY.
- USE TRAIN ONLY IN CONJUNCTION WITH PROVIDED TRACK.
- ADULT ASSEMBLY AND SUPERVISION REQUIRED AT ALL TIMES.
- BEWARE OF SHARP EDGES AND OTHER FUNCTIONAL SHARP POINTS.

WARNING: Changes or modifications not expressly approved by the party responsible for compliance could void the user's authority to operate the equipment

remote control FCC ID: 2BFRYA27872 product: FCC ID: 2BFRYA2024

This device complies with Part 15 of the FCC Rules. Operation is subject to the following two conditions:

(1) This device may not cause harmful interference, and (2) this device must accept any interference received, including interference that may cause undesired operation.

NOTE: This equipment has been tested and found to comply with the limits for a Class B digital device, pursuant to Part 15 of the FCC Rules. These limits are designed to provide reasonable protection against harmful interference in a residential installation. This equipment generates, uses and can radiate radio frequency energy and, if not installed and used in accordance with these instructions, may cause harmful interference with radio communications.

However, there is no guarantee that interference will not occur in a particular installation. If this equipment does cause harmful interference to radio and television reception, which can be determined by turning the equipment off and on, the user is encouraged to try to correct the interference by one or more of the following measures.

- ☑ Reorient or relocate the receiving antenna.
- ☑ Increase the separation between the equipment and the receiver.
- ☑ Connect the equipment into an outlet on a circuit different from that to which the receiver is connected.
- ☑ Consult the dealer or an experienced radio/TV technician for help.

This equipment complies with FCC radiation exposure limits set forth for an uncontrolled environment. This transmitter must not be co-located or operating in conjunction with any other antenna or transmitter.



GRUPO RUZ, S.A. DE C.V.
126 MAIN ST, SAG HARBOR,
NEW YORK, NY 11963-3007, USA
www.gruporuz.com.mx

SKU#563529 / MODEL# A27872

Follow us on Social Media!

RUZUSAOFFICIAL wondapop

