



广州市高科中实通信技术有限公司
Gaoke Ant Co., Ltd.

产品规格承认书

Specification For Approval

客户名称:

Customer

供应商:

Supplier

客户料号:

Customer P/N

产品名称:

Production Name

产品型号:

Production Number

GKZS-5.8G-195A-RG178DMM-600

供应商确认盖章 (Supplier Signature)

工程师 Engineer	审核 Checked by	核准 Approved by
Nanju Liu	Xiaoxin Chao	Jingsong Yang
September 26, 2022	September 26, 2022	September 26, 2022

客户确认盖章 (Customer Signature)

工程师 Engineer	审核 Checked by	批准 Approved by
Mark Ma	William Chen	Felix Zhou
September 26, 2022	September 26, 2022	September 26, 2022

Gaoke Ant Co., Ltd.

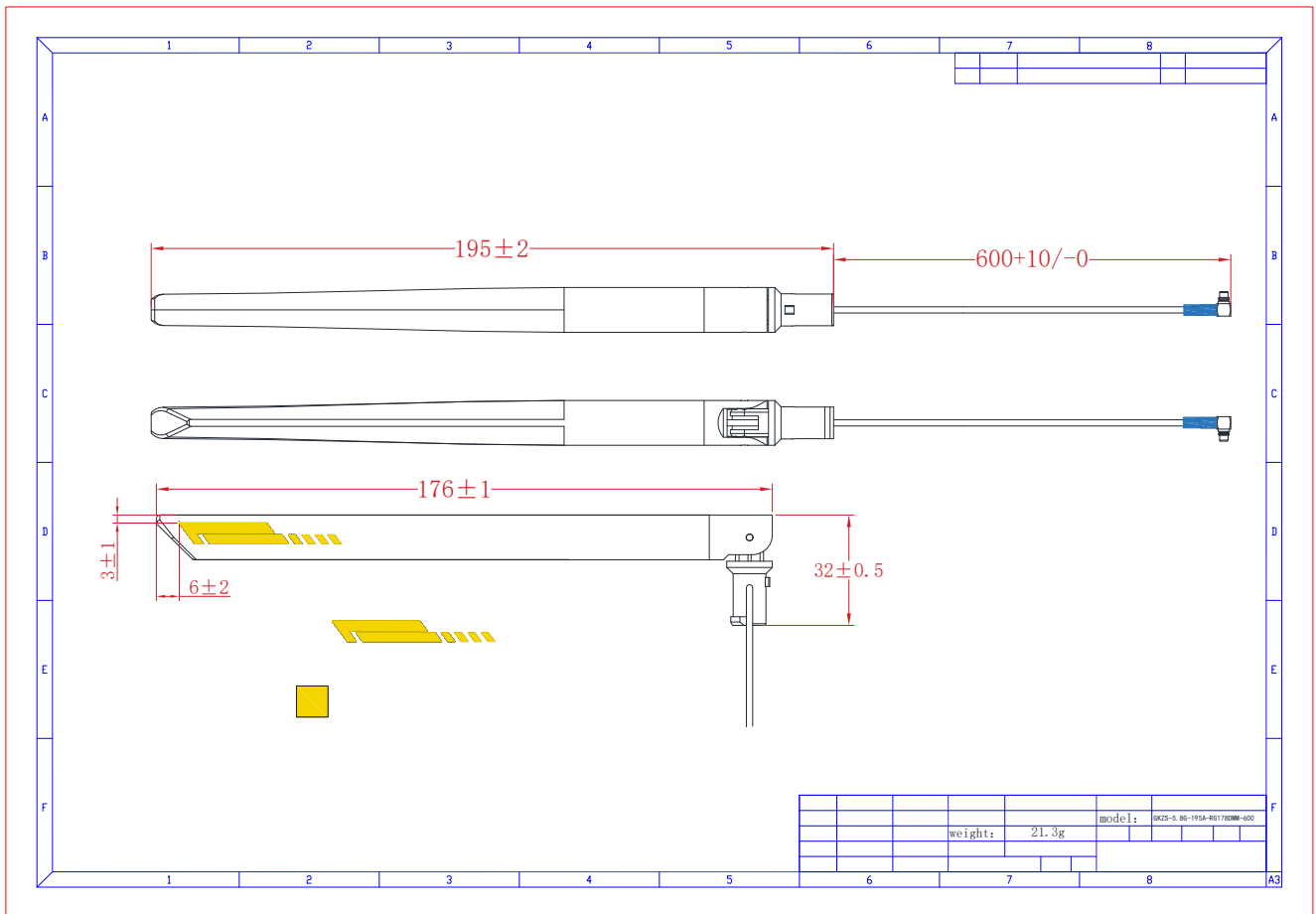
address: 22 Guangcong South Road, Shengang, Conghua District, Guangzhou City,
Guangdong Province, China

Tel: 020-87080630/87080639/87080632

Fax: 020-87080731

<http://www.gkzs.com.cn>

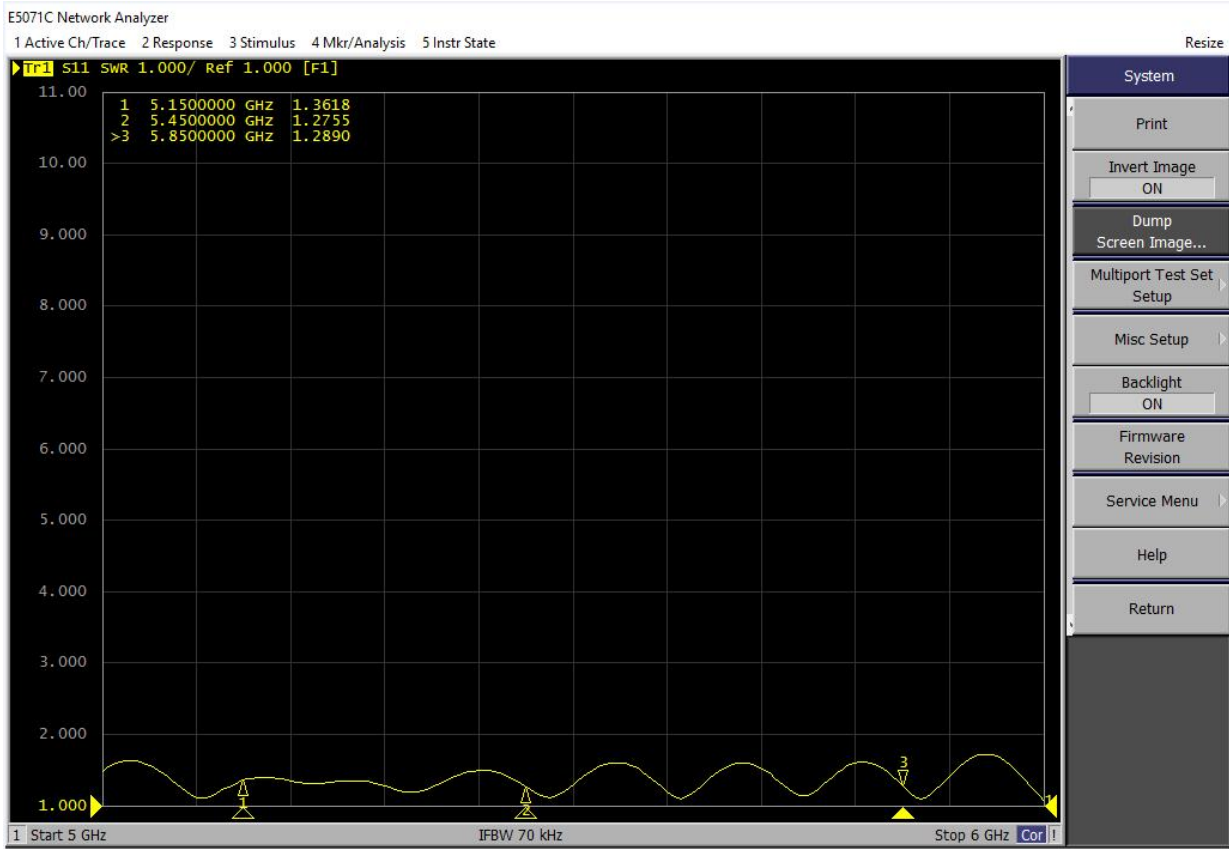
Antenna structure size diagram (unit: mm)



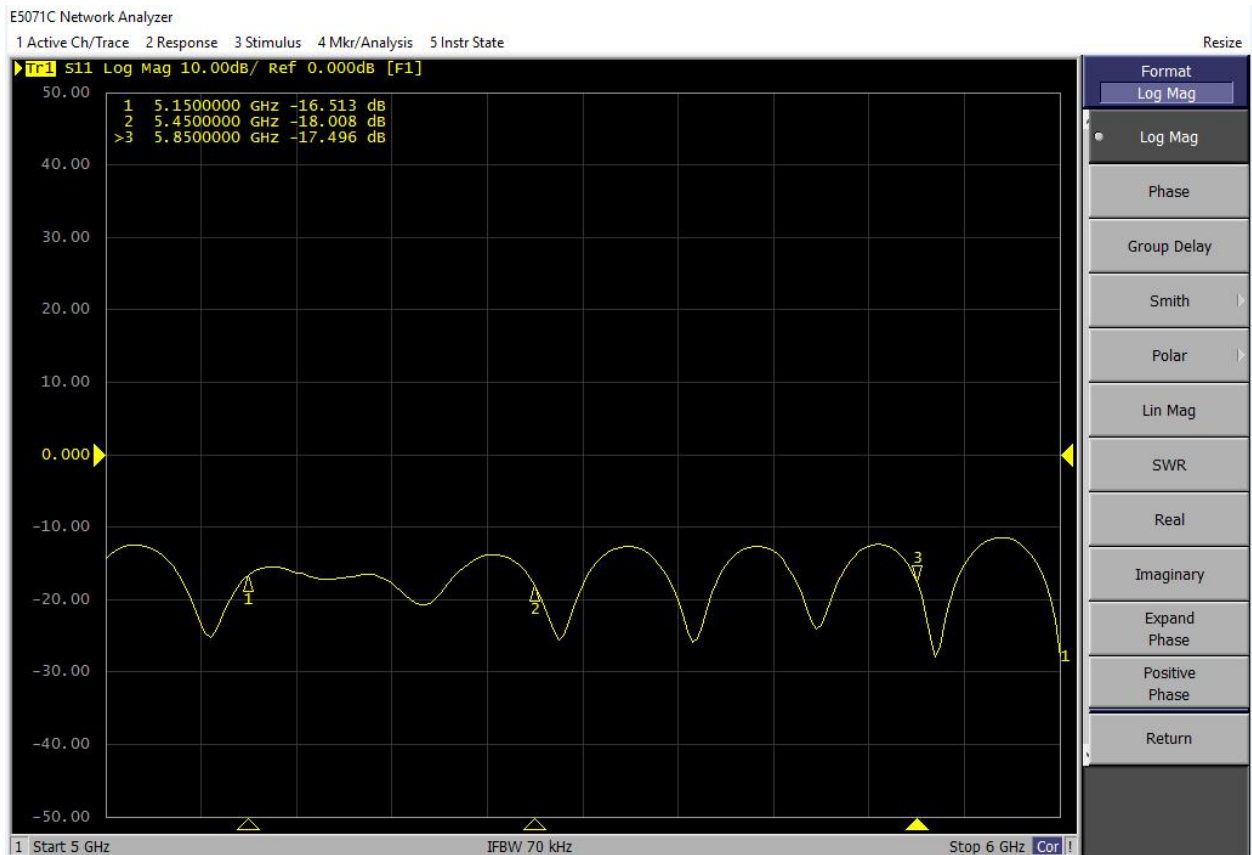


天线类型 (Antenna Type)	Integral Antenna
工作频率 (working Frequency)	5150-5850MHz
增益 (Peak Gain)	2.48dBi
天线效率 (Antenna efficiency)	30.39%
电压驻波比 (VSWR)	≤ 2.0
极化方式 (Polarization)	horizontal polarization
轴比 (Axial Ratio)	≤ 3.0
辐射方向 (Radiation pattern)	omnibearing
馈电阻抗 (impedance)	50 Ω
天线接口 (Interface)	MMCX
天线尺寸 (Overall dimensions)	$\Phi 13 \times 195 \text{mm}$
重量 (Weight)	21.3g
工作温度 (Operatin Temp)	-40°C ~ 80°C

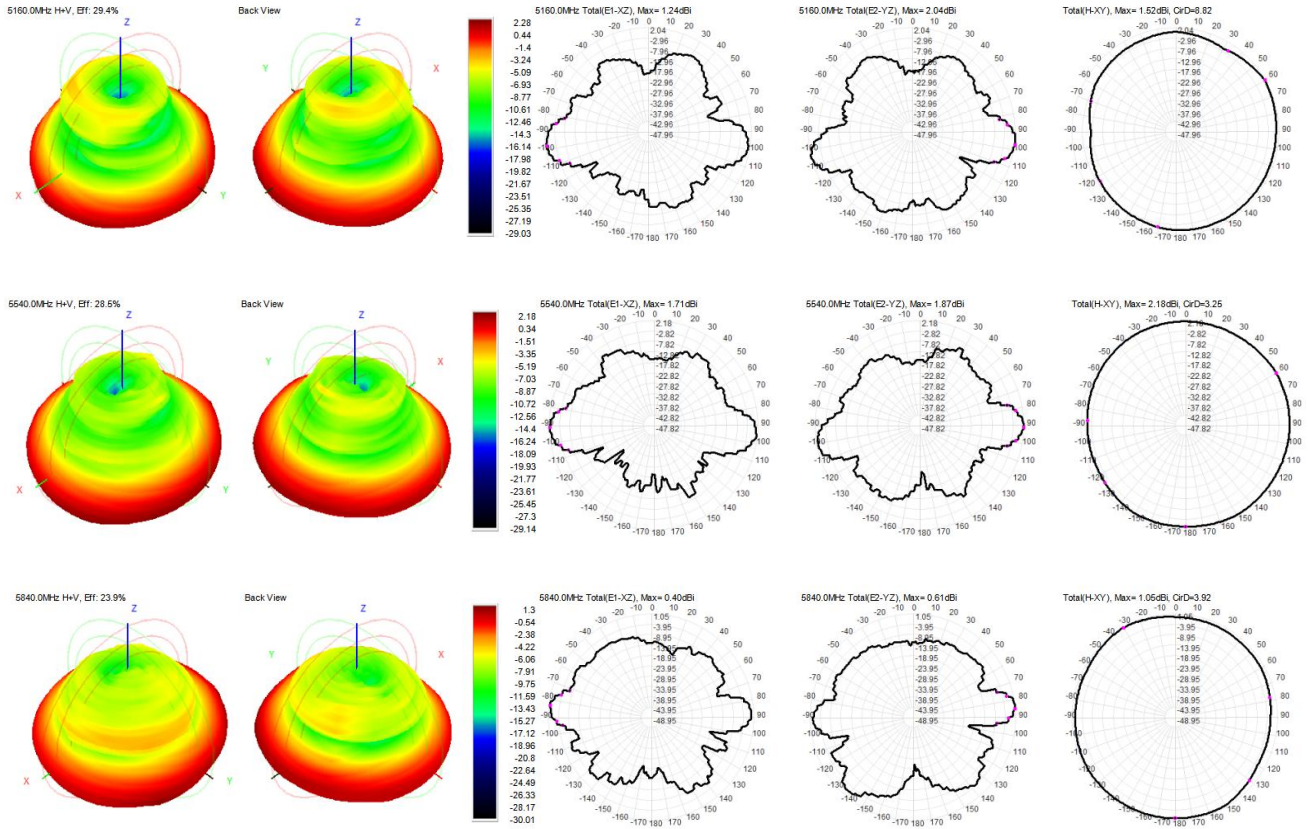
VSWR



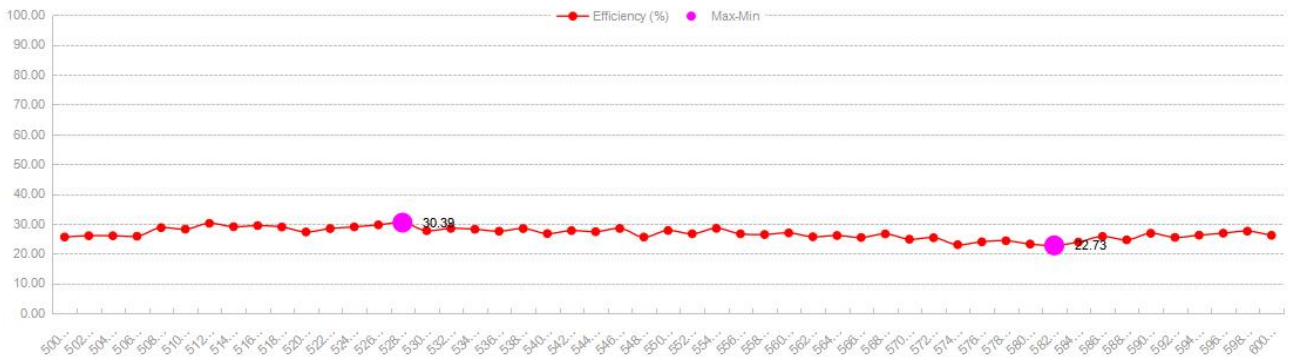
return loss



directional diagram



Efficiency



Gain

