

Bluetooth Speaker

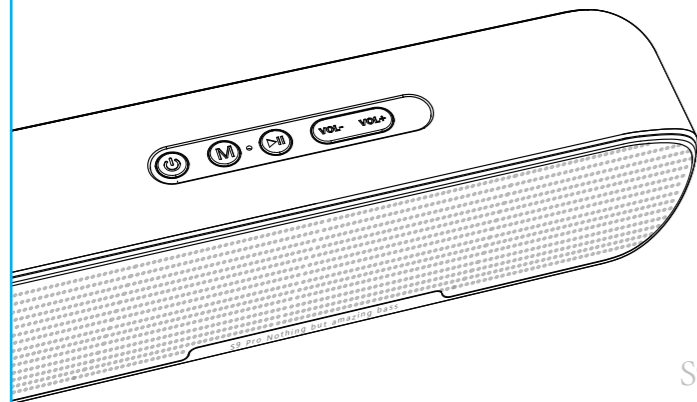
S9 Pro

Nothing but amazing bass.

Quick Start Guide 快速开始指南

S9 Pro

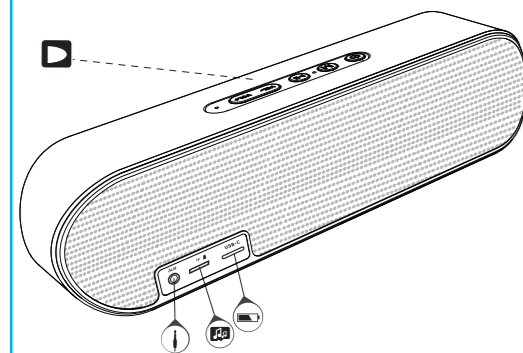
TOUCH KEY / 面板说明



S9 Pro

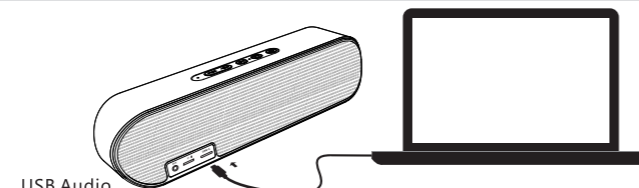
- Short press to switch sound effects
Long press on/off
短按切换音效
长按开/关机
- Short press to switch audio source
Long press TWS pairing
短按切换音源
长按TWS配对
- Devpat Audio Indicator Light
音效指示灯
Red : Treble Audio
Green : Bass Audio
Blue : 3D Audio
红色灯 : 人声音效
绿色灯 : 低音音效
蓝色灯 : 环绕音效
- Short press play/pause answer
Long press to reject, double click to disconnect
短按播放/暂停接听
长按拒接、双击断开
- Short press to adjust volume
Long press to switch up and down tracks
短按调节音量
长按切换上下曲

BUTTON / 按钮



- 外置音频输入
AUX
- USB Type-C 充电口
USB Type-C Charge Port
- 集成MP3/WMA/WAV/FLAC/APE播放器
Play MP3/WMA/WAV/FLAC/APE music files from Micro SD card
- 三种Devpat Audio 音效切换指示灯
Devpat Audio Indicator Light

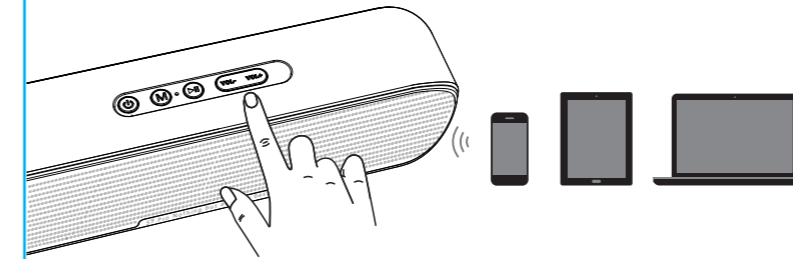
CHARGING / 充电



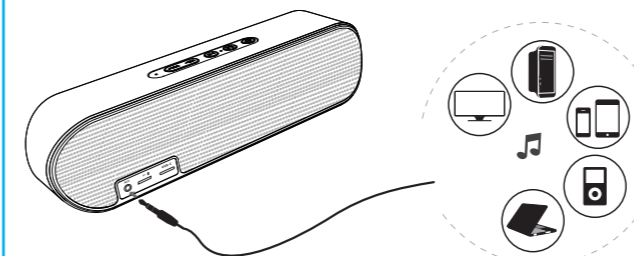
USB Audio
Turn on the S9 Pro , and connect the Type-C cable attached to the USB interface of the PC. And then there will be "USB speaker" prompt tone. Make sure connect the cable after turn on the S9 Pro , or it will prompt " USB mass storage" .
Charge: The red LED will be on when charging and once fully charged the red LED turns off. It takes about 3-4 hours to fully charge.
支持USB音频功能
音箱开机后, 通过Type-C线连接电脑和音箱, 发出USB Speaker 提示音, 表示连接成功。注: 音箱开机前插入Type-C线, 会有USB mass storage提示音, 重新插入Type-C线即可。
充电: 充电时红灯长亮, 充满电红灯熄灭。充满电需约3-4小时。

BT Connection / 蓝牙连接

Activate the BT settings on your smart phone or other devices, then search and connect the speaker S9 Pro . Enter "0000" if a password is needed. The speaker will automatically turn off if no audio input for 30 minutes.
请打开智能手机等设备上的蓝牙设置, 连接至音箱。要求输入密码时, 请输入"0000"。
注: 30分钟无音源输入,S9 Pro 会自动关机。



WIRED CONNECTION / 有线连接



手机, 电脑或者电视均有AUX 音频输出接口, 请把随机附赠的3.5mm音频线两端分别插入音频输出设备和音箱。
Connect the 3.5mm audio cable attached to the aux interface of devices, such as mobile phone, PC or TV.

Warranty / 质保条款

The Warranty Information:
1. If a malfunction or a damage occurs due to quality issues, please take the product to sales agency. Since the date of purchase, the warranty is valid for 1 year.
2. Damages due to unauthorized disassembly or inappropriate usage of the users not under warranty.
3. For your interest, keep this card without altering.

质保条款
本设备提供自购买之日起1年的有限产品硬件维修服务。
质保限制
本有限质保不涵盖由于以下原因导致的问题或损坏:
(1)意外事件、误用、操作不当或任何未授权的维修、改装或者拆卸;
(2)操作或维护不当, 适用过程中违反产品说明或连接到不适当的电压源;



True Wireless Stereo/ 真实无线立体声

真实无线立体声模式连接步骤

1. 关闭手机蓝牙, 开启两台S9 Pro ;
2. 快速双击其中一台的M切换键, 听到提示音后音效灯由闪烁变成常亮, 说明已进入TWS配对模式;
3. 打开手机蓝牙并连接S9 Pro ,播放音乐即可体验左右声道无线分离的家庭影院效果。
注:二次开启两台S9 Pro 时, 会自动进入TWS模式。配对成功后, 再次双击一台M切换键,即可取消TWS模式。

Operation steps of True Wireless Stereo

1. Turn off the BT function of phone, and then turn on the two sets of S9 Pro .
2. Double click the M switch button of any one set quickly, prompt tone will be emitted and the audio indicator light flashes and then will be normally on when the two sets of S9 Pro enter the TWS mode.
3. Initiate BT function of phone, and connect the S9 Pro . Enjoy the true stereo effect which the left & right channels are independently.
Mark: The speakers will automatically enter the TWS mode when they are turned on again. And it will be out of the TWS mode when double press the M switch button again.

技术规格与注意事项

技术规格:

- 5.3版本蓝牙音频传输播放
- AUX音频输入
- MicroSD卡播放支持APE/FLAC格式
- USB AUDIO 数字音频输入
- TP-C 5V2A 充电 (支持9V12V快充)
- 支持TWS联机播放立体声
- 喇叭单元 5单元
- 中低频20Wx2+高频10Wx2+ 低频被动震幅器2.0分频
- 音效模式: 人声、重低音、3D环绕
- 尺寸: 270x55x75mm
- 净重: 889g

1. 请将本产品放置于干燥通风处, 避免雨淋、进水、高温或置于强磁场环境, 严禁强力摔打。
2. 请勿放置在任何热源附近, 例如散热器、暖气、火炉或其他发热设备。
3. 请使用干布擦拭表面, 请勿使用挥发性液体或其他有机溶液。
4. 切勿将本产品暴露在温度过高或过低的地方。
5. 切勿让本产品长时间受阳光直射照射。
6. 切勿将本产品靠近明火, 如煮食炉。
7. 切勿将本产品接触任何尖锐的物体, 因为这会造成划痕和损毁。
8. 切勿尝试拆开本产品, 因为它并不包含任何维修组件。

保修期	一年	日期	维护状态
购买日期			
购买地址			
产品型号			
购买渠道	电商		

Important Notice:
In order to safeguard your legal rights and interests, please fill out clearly, avoid alternation and keep the warranty card safely. Please contact local supplier or manufacturer for any inquiries.

FCC Warning:

This equipment has been tested and found to comply with the limits for a Class B digital device, pursuant to part 15 of the FCC Rules. These limits are designed to provide reasonable protection against harmful interference in a residential installation. This equipment generates, uses and can radiate radio frequency energy and, if not installed and used in accordance with the instructions, may cause harmful interference to radio communications. However, there is no guarantee that interference will not occur in a particular installation. If this equipment does cause harmful interference to radio or television reception, which can be determined by turning the equipment off and on, the user is encouraged to try to correct the interference by one or more of the following measures:

- Reorient or relocate the receiving antenna.
- Increase the separation between the equipment and receiver.
- Connect the equipment into an outlet on a circuit different from that to which the receiver is connected.
- Consult the dealer or an experienced radio/TV technician for help.

Caution: Any changes or modifications to this device not explicitly approved by manufacturer could void your authority to operate this equipment.

This device complies with part 15 of the FCC Rules. Operation is subject to the following two conditions:

(1) This device may not cause harmful interference, and (2) this device must accept any interference received, including interference that may cause undesired operation.

This equipment complies with FCC radiation exposure limits set forth for an uncontrolled environment. This equipment should be installed and operated with minimum distance 0cm between the radiator and your body.

ISED Statement

- English: This device complies with Industry Canada license-exempt RSS standard(s). Operation is subject to the following two conditions: (1) This device may not cause interference, and (2) This device must accept any interference, including interference that may cause undesired operation of the device.

The digital apparatus complies with Canadian CAN ICES-3 (B)/NMB-3(B).

- French: Le présent appareil est conforme aux CNR d'Industrie Canada applicables aux appareils radio exempts de licence. L'exploitation est autorisée aux deux conditions suivantes: (1) l'appareil ne doit pas produire de brouillage, et (2) l'utilisateur de l'appareil doit accepter tout brouillage radioélectrique subi, même si le brouillage est susceptible d'en compromettre le fonctionnement.

L'appareil numérique du CIEM conforme canadien peut - 3 (b) / nmb - 3 (b).

This device meets the exemption from the routine evaluation limits in section 2.5 of RSS 102 and compliance with RSS 102 RF exposure, users can obtain Canadian information on RF exposure and compliance.

Cet appareil est conforme à l'exemption des limites d'évaluation courante dans la section 2.5 du CNR - 102 et conformité avec RSS 102 de l'exposition aux RF, les utilisateurs peuvent obtenir des données canadiennes sur l'exposition aux champs RF et la conformité.

This equipment complies with Canada radiation exposure limits set forth for an uncontrolled environment.

This equipment should be installed and operated with minimum distance 0cm between the radiator & your body.

Cet équipement est conforme Canada limites d'exposition aux radiations dans un environnement non contrôlé.

Cet équipement doit être installé et utilisé avec une distance minimale de 0 cm entre le radiateur et votre corps.