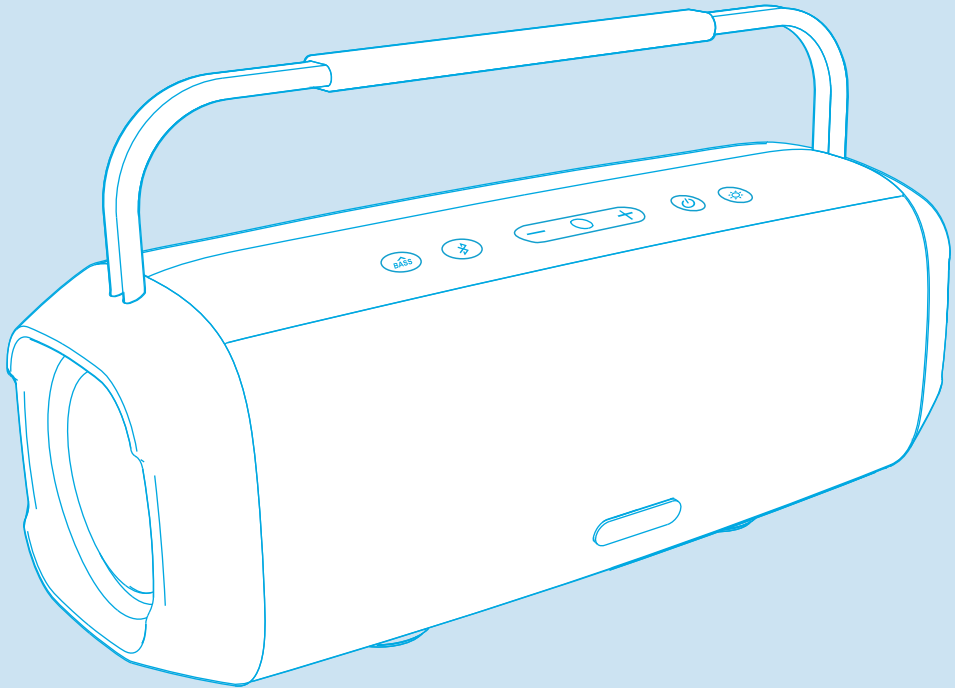


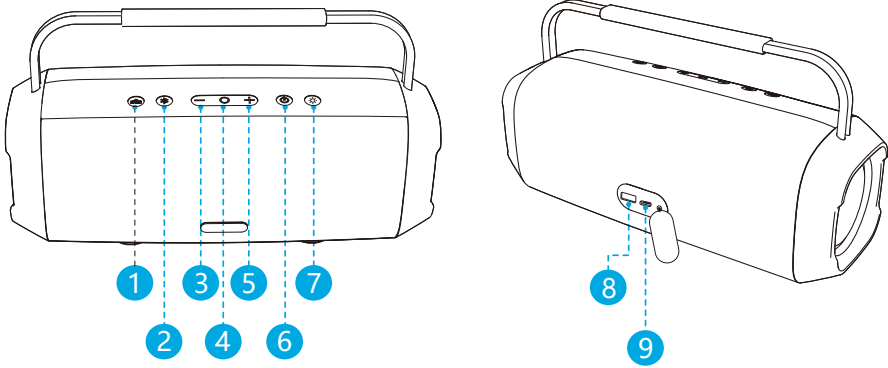
CZHOON®



CZH B010

USER MANUAL

At a Glance

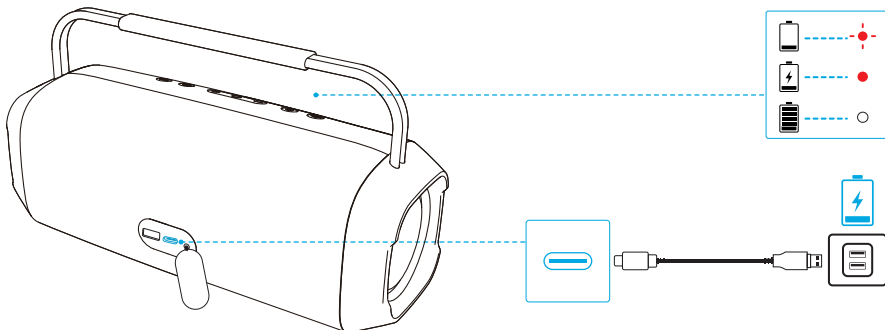





- ① Bass button
- ② Bluetooth button
- ③ Volume down button
- ④ Multi-function button
- ⑤ Volume up button
- ⑥ Power button
- ⑦ Led
- ⑧ USB-A port for charging out
- ⑨ USB-C port for charging in

Charge your Speakerv



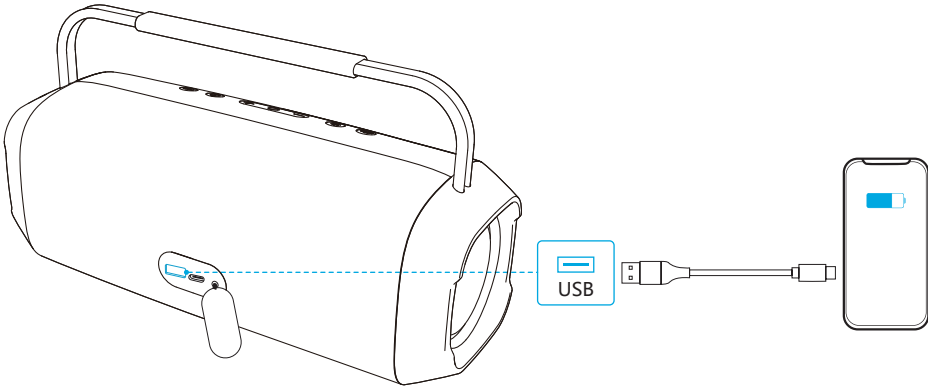
- Use a certified USB-C cable and charger to prevent any damage.
- Fully charge this speaker before the first use to prolong the lifespan of the built-in battery.
- Disconnect this speaker from the charger when fully charged. Do not charge for extended periods.



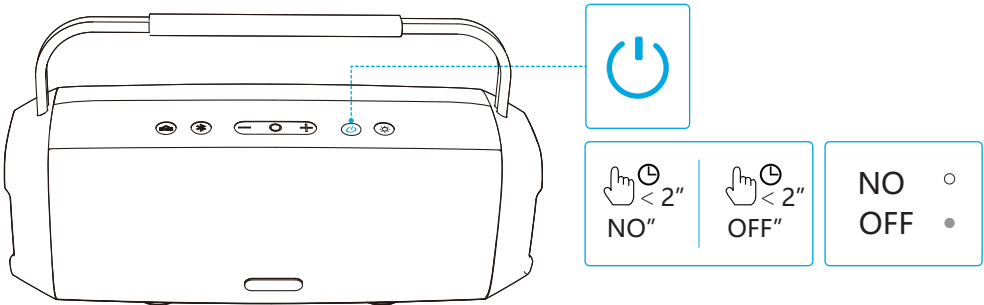
	Flashing red	Low battery
	Steady red	Being charged
	Steady white	Fully charged





Charge your USB Devices

Charge your USB devices through the USB-A charging port.



Powering On/Off



	Press and hold for 2 seconds		Steady white	Power on
	Press and hold for 2 seconds		Light off	Power off

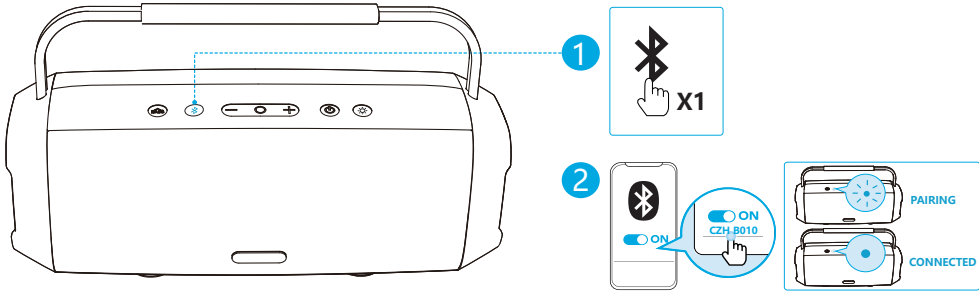


- This speaker will power off automatically after 30 minutes if no device is connected.

Using Your Speaker

Bluetooth Mode

With this speaker, you can enjoy music through your Bluetooth-enabled devices.



Press

Enter Bluetooth pairing mode



Flashing blue

Bluetooth pairing




Steady blue


Bluetooth connected






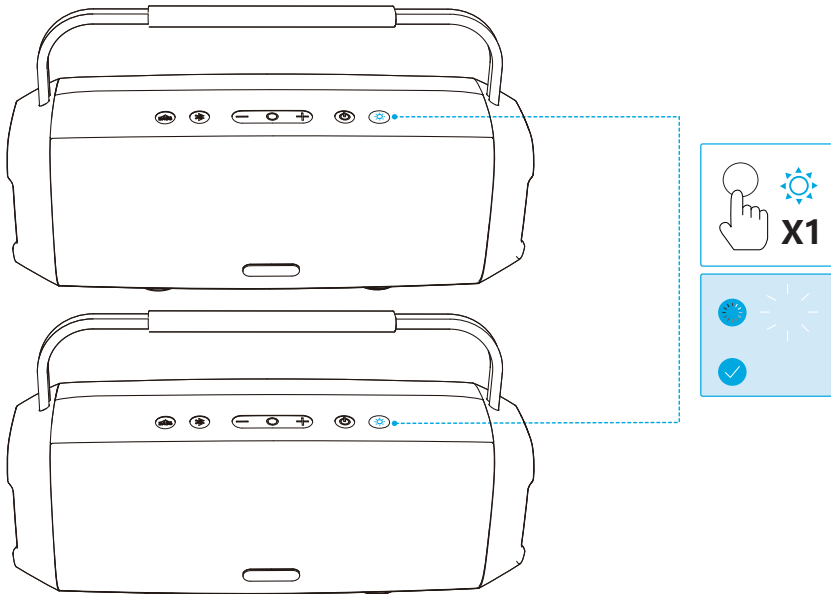
- Each time you power on your Soundcore speaker, it will automatically connect to your last connected device if available within the Bluetooth range. If not, press the Bluetooth button to enter Bluetooth pairing mode.

(True Wireless Stereo) Mode

Two identical Soundcore speakers can pair up with each other for true wireless stereo sound. In  mode, connect either one of the two speakers with your mobile device so that both speakers play the same audio (one as L channel and the other as R channel).

On both Soundcore speakers, press the  button to enter pairing mode.

- The speakers start searching for each other to establish the  connection. The  LED indicator on both speakers will flash white.
- Once successfully connected, the  LED indicator on both speakers will become steady white.



- | | | |
|--|----------------|--------------------|
| | Press | Enter pairing mode |
| | Flashing white | pairing |
| | Steady white | connected |



- To exit the mode, press and hold the button for 2 seconds.

Button Controls



- | | | |
|--|-------------------------|--------------------|
| | Press | Play/Pause |
| | Press twice | Next track |
| | Press three times | Previous track |
| | Press or press and hold | Adjust volume |
| | Press | Turn BassUp on/off |

Specifications

Specifications are subject to change without notice.

DC power input	5 V $\overline{=}$ 2.1 A
Battery capacity	6800 mAh
USB output	5 V $\overline{=}$ 1 A
Audio output power	60-80W
Charging time	4 hours
Playtime (varies by volume level and music content)	Up to 15 hours
Waterproof level	IPX7
Bluetooth version	5.3
Bluetooth range	15 m / 66 ft

FCC Warning:

This equipment has been tested and found to comply with the limits for a Class B digital device, pursuant to part 15 of the FCC Rules. These limits are designed to provide reasonable protection against harmful interference in a residential installation. This equipment generates, uses and can radiate radio frequency energy and, if not installed and used in accordance with the instructions, may cause harmful interference to radio communications. However, there is no guarantee that interference will not occur in a particular installation. If this equipment does cause harmful interference to radio or television reception, which can be determined by turning the equipment off and on, the user is encouraged to try to correct the interference by one or more of the following measures:

- Reorient or relocate the receiving antenna.
- Increase the separation between the equipment and receiver.
- Connect the equipment into an outlet on a circuit different from that to which the receiver is connected.
- Consult the dealer or an experienced radio/TV technician for help.

Caution: Any changes or modifications to this device not explicitly approved by manufacturer could void your authority to operate this equipment.

This device complies with part 15 of the FCC Rules. Operation is subject to the following two conditions:

(1) This device may not cause harmful interference, and (2) this device must accept any interference received, including interference that may cause undesired operation.

This equipment complies with FCC radiation exposure limits set forth for an uncontrolled environment. This equipment should be installed and operated with minimum distance 0cm between the radiator and your body.