

Wireless Microphone

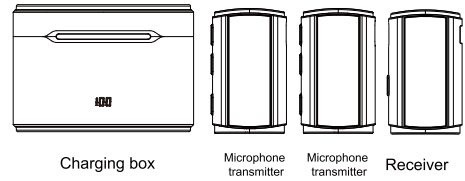
User Manual



Introduction

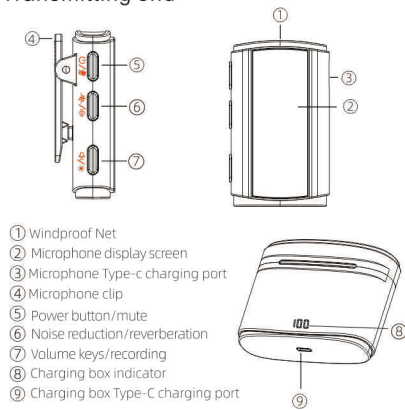
Thanks for choosing our product. This product is a smart wireless microphone that provides professional-grade recording output. Plug and play, no app required. Multiple uses: It can be used in online live broadcast, video Vlog shooting, program interview, recording, video teaching and other occasions.

This product consists of three parts: charging box, microphone transmitting end and receiving end. (as shown in the figure below, some models have no charging box, subject to the real object)

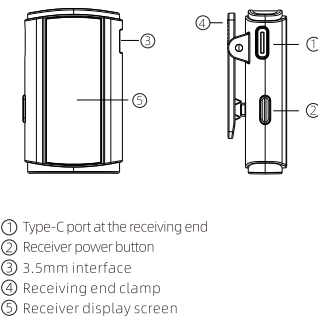


ID Diagram

Transmitting end

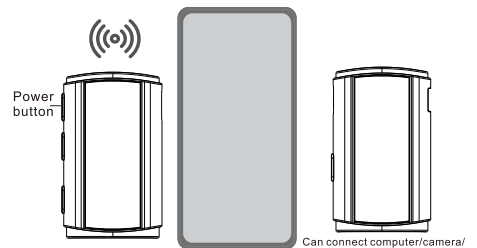


Receiving end



How to use

Step 1: Connect the receiver to phone with port.
Step 2: Press switch key of microphone, light on, and then power is turned on.
Step 3: The indicator green light of receiver keeps always on, then open the phone camera, live App or other Apps, and then to use the microphone to receive sound.



Note: oppo / vivo / iqoo / realm brand mobile phones can be used normally only when they go to the settings (search "DTG" - turn on DTG power supply)

About UI

Microphone Transmitter

Function	Button	LED
Power on	Long press the power button for 2 seconds	/
Power off	Long press the power button for 3 seconds	/
Unconnected		Connection indicator light flashing
Connected		Connection indicator light always on
Noise reduction	Short press the noise reduction/reverb button to turn on and off noise reduction	Noise reduction indicator light always on/off
Reverberation	Long press the noise reduction/reverb button to turn on and off noise reduction	The noise reduction indicator light flashes twice
Volume	Short press the volume button to cycle up and down	/
Sound recording	Long press the recording button	/
Charging		The battery indicator red light is constantly on
Fully charged		The battery indicator red light is off
Low electricity		The battery indicator flashes slowly in red

Note: TF cards support insertion and removal detection.
TYPE-C port: supports charging/OTG/monitoring

Receiver

Function	Button	LED
Power on	Long press the power button for 2 seconds	/
Power off	Long press the power button for 3 seconds	/
Unconnected		Connection indicator light flashing
Connected		Connection indicator light always on
Charging		The battery indicator green light is constantly on
Fully charged		The battery indicator green light is off
Low electricity		The battery indicator flashes slowly in green

TYPE-C port: supports charging/OTG/monitoring

Packing List

Content of packing

- (1) Microphone transmitter (2) Lightning receiver
- (3) Charging box (4) Charging cable (5) User manual
- (6) 3.5mm audio cable (7) Type-C to Type-C line
- (8) Type-C to Lightning Line

FCC Warning:

This equipment has been tested and found to comply with the limits for a Class B digital device, pursuant to part 15 of the FCC Rules. These limits are designed to provide reasonable protection against harmful interference in a residential installation. This equipment generates, uses and can radiate radio frequency energy and, if not installed and used in accordance with the instructions, may cause harmful interference to radio communications. However, there is no guarantee that interference will not occur in a particular installation. If this equipment does cause harmful interference to radio or television reception, which can be determined by turning the equipment off and on, the user is encouraged to try to correct the interference by one or more of the following measures:

- Reorient or relocate the receiving antenna.
- Increase the separation between the equipment and receiver.
- Connect the equipment into an outlet on a circuit different from that to which the receiver is connected.
- Consult the dealer or an experienced radio/TV technician for help.

Caution: Any changes or modifications to this device not explicitly approved by manufacturer could void your authority to operate this equipment.

This device complies with part 15 of the FCC Rules. Operation is subject to the following two conditions:

(1) This device may not cause harmful interference, and (2) this device must accept any interference received, including interference that may cause undesired operation.

This equipment complies with FCC radiation exposure limits set forth for an uncontrolled environment. This equipment should be installed and operated with minimum distance 0cm between the radiator and your body.