

# INSTRUCTION

---

SYITREN

PARON II



## EXPLAIN

Thank you for purchasing this record player. This manual contains important information about safety, use, and disposal. Use the described product and keep this manual for future reference. If you sell or transfer it, also hand over this manual to the new owner.

## SAFETY TIPS

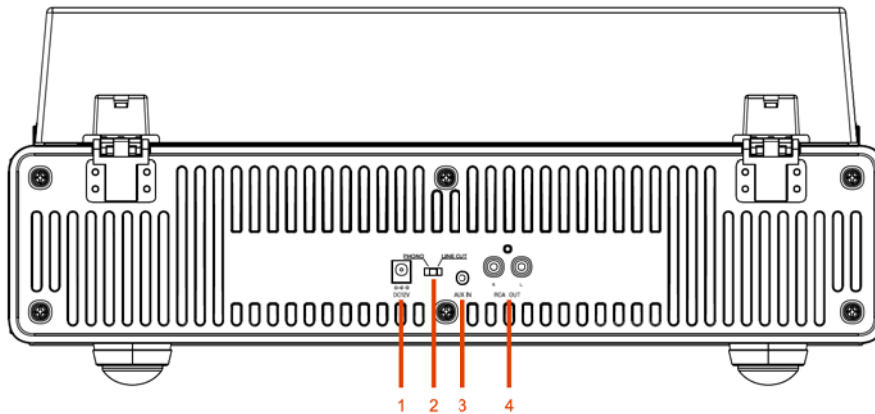
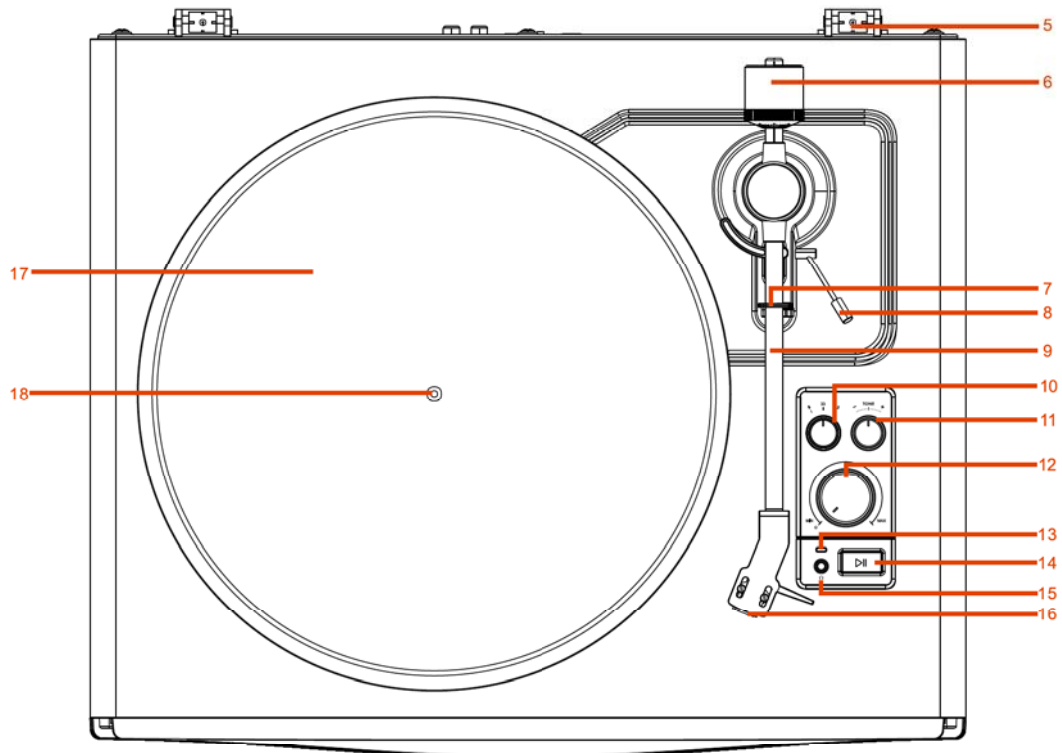
Before using this product, please read and understand this manual.

Keep these instructions for future reference.

1. Do not use near water.
2. Use original factory power supply.
3. If the plug cannot be fully inserted into the socket, please replace the socket.  
If it is still not suitable, please contact a qualified electrician or official after-sales service.  
Do not attempt to modify the plug in any way.
4. Protect the power cord from being moved or clamped, especially at the connection points between the power plug, plug and socket, and between the cable and the speaker.
5. Do not overload wall exits or extension lines, as this can pose a fire hazard and may cause electric shock.
6. Do not push any type of object into the turntable through the opening, as they may touch dangerous voltage points, causing component short circuits and causing fires.  
Do not use any type of liquid liquor on the product.
7. Do not attempt to repair the record player on your own, as opening or removing parts may expose you to dangerous voltage or other hazards.  
Transfer all services to qualified service personnel,
8. Unauthorized modification or repair of a record player may result in no after-sales service,
9. Do not use accessories that are not recommended by the manufacturer as they may cause danger
10. Please place it on a flat and sturdy table or on a shelf for use.
11. The openings on the box are for ventilation, do not block these openings to avoid overheating and equipment damage.
12. During thunderstorms or when not in use for a long time, unplug the power supply of the product.



# CENTRE SHAFT



- |                                     |                      |
|-------------------------------------|----------------------|
| 1. Power socket                     | 13. Power socket     |
| 2. Output mode adjustment           | 14. Pause/Start      |
| 3. AUX input socket                 | 15. Headphone output |
| 4. RCA output socket                | 16. Pickup           |
| 5. Lid buckle                       | 17. Turntable        |
| 6. Counterweight                    | 18. Centre shaft     |
| 7. Singing arm lock buckle          |                      |
| 8. Singing arm lifting rod          |                      |
| 9. Singing arm                      |                      |
| 10. Bluetooth mode/speed adjustment |                      |
| 11. Tone control                    |                      |
| 12. Switch/volume adjustment        |                      |

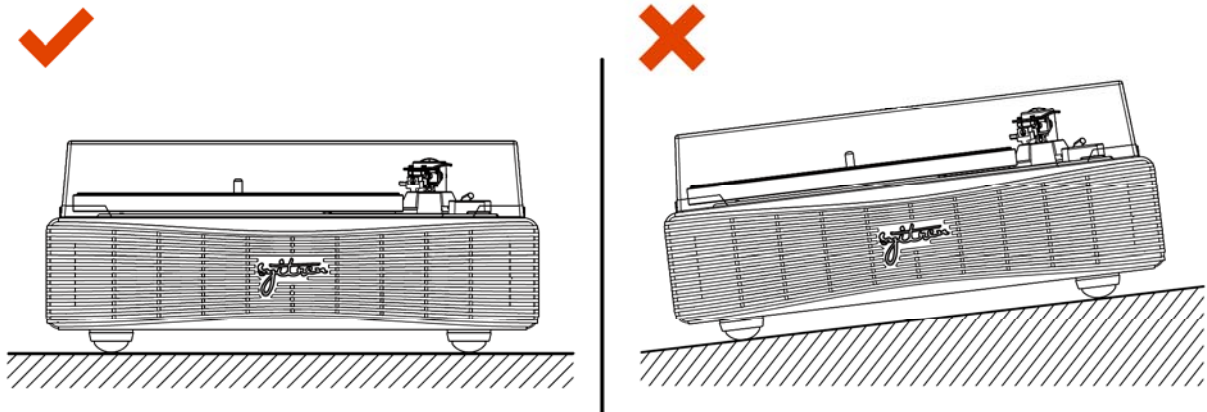
## ITEMS INCLUDED

Before installing the turntable, check the packaging content to ensure that all of the following components are free from visible damage. Please keep the original packaging materials for exchange or return purposes.

1. Record player body
2. AC adapter
3. Dust cover
4. Anti slip pad
5. Counterweight
6. Instructions
7. Turntable
8. RPM converter

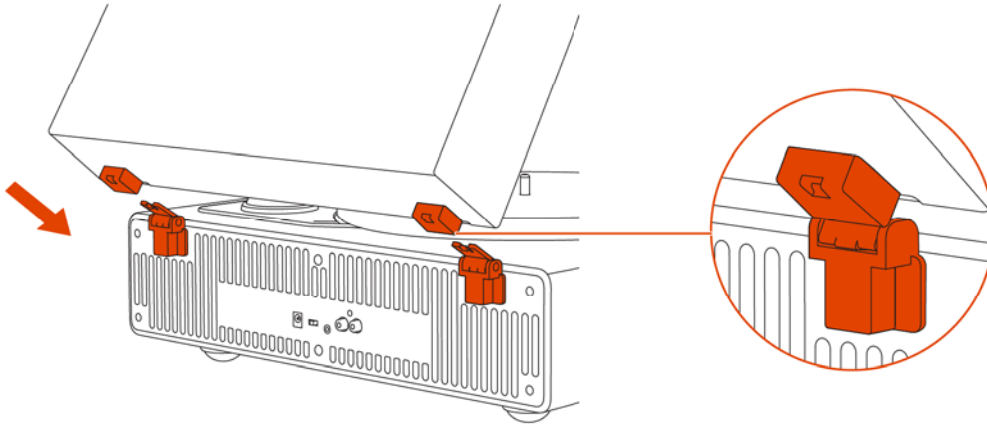
## INSTALLING A RECORD PLAYER

1. Install the turntable on a horizontal surface.
2. To avoid the influence of vibration and sound pressure, do not install the turntable on objects such as speakers.
3. If placed next to the radio, the record player can receive signals from the radio. Therefore, try to keep the record player away from the radio as much as possible.
4. If the record player is close to devices such as mobile phones and emits strong radio waves, it may produce noise.

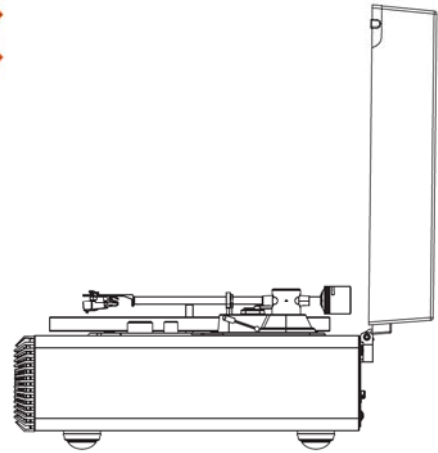
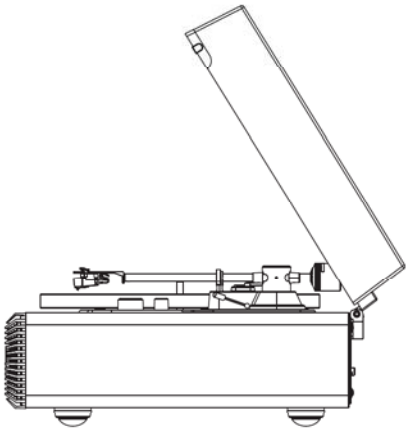


## INSTALLING DUST COVER

Insert the socket of the lid into the buckle of the record player.

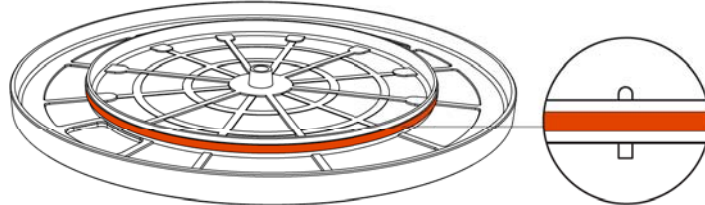


Attention: Forcibly increasing the angle will damage the cover.

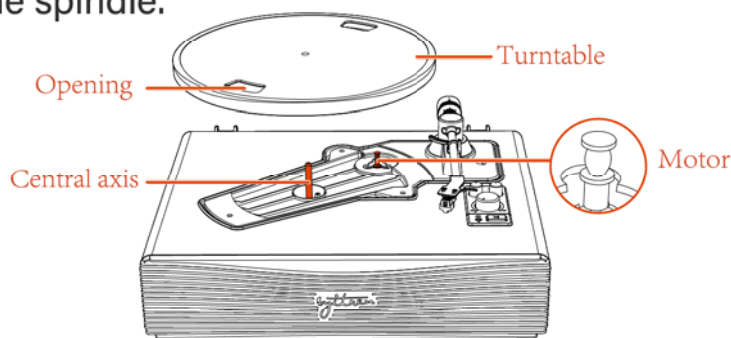


# INSTALL TURNTABLE

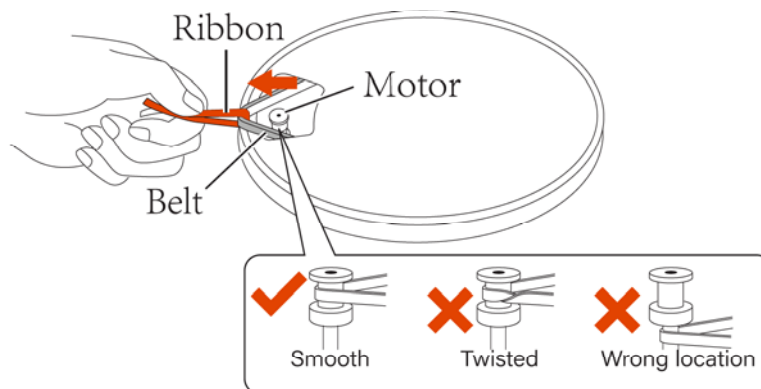
1. Turn the turntable over and check the position of the belt. Ensure that the drive belt is in the middle of the ring. If the drive belt is too high or too low within this ring, it may cause the drive belt to fall off or the speed to be unstable.



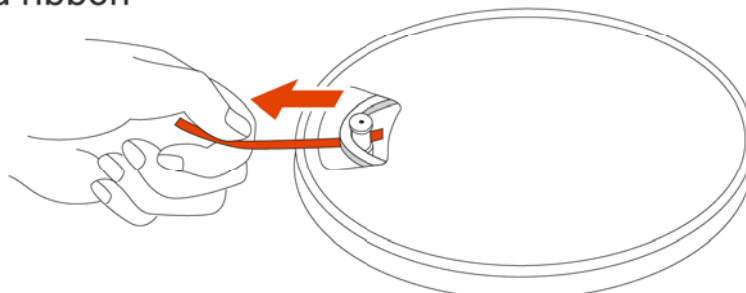
2. Place the disc on the spindle, ensuring that the turntable is completely installed on the spindle.



3. Place the belt on the motor. Align the opening of the turntable with the motor, and simultaneously pull the two ends of the red ribbon connected to the belt, placing the belt on the pulley as shown in the figure. Be careful not to twist the belt when doing so.



4. Remove the red ribbon





## INSTALL TURNTABLE

1. Slowly rotate clockwise by hand

Rotate the turntable 10 times (Figure 1).

2. This step is used to ensure that the belt runs smoothly along the lower edge of the turntable.

3. Place the anti-skid pad on the turntable, ensuring that the anti-skid pad's logo is facing upwards (Figure 2)

Figure 1

**10x**

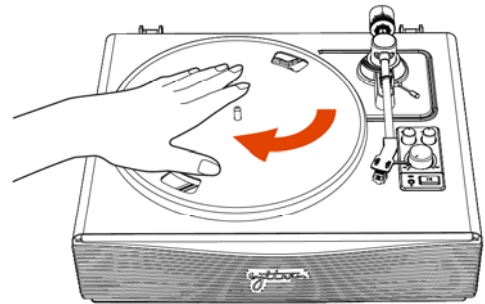
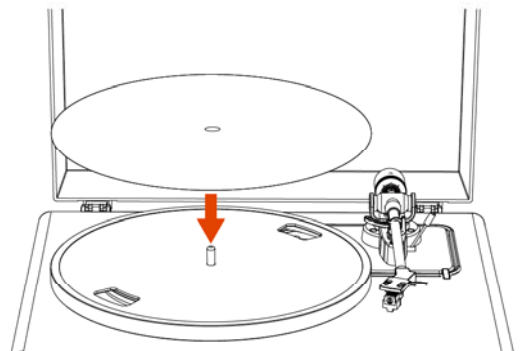


Figure 2



## INSTALLING COUNTERWEIGHTS

1. Connect the counterweight to the rear end of the singing arm (Figure 1),

2. Rotate and screw in until you hear a "click" sound (Figure 2).

Figure 1

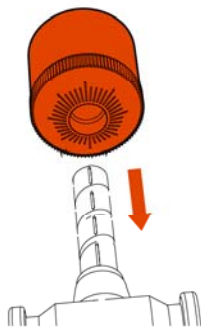
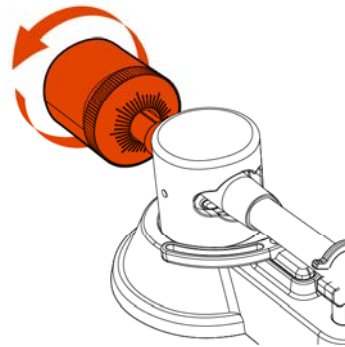


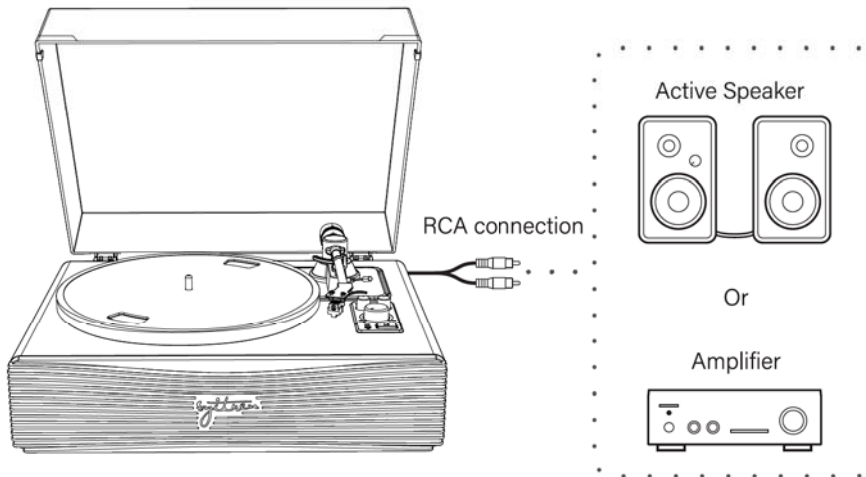
Figure 2



## USING RCA INTERFACE

This record player has 4 built-in speakers and an equalizer.

If you want to use your own amplifier or speakers, please follow the instructions below



Note: For optimal sound, it is recommended to lower the volume of the record player to the lowest level, and then the audio from the record player will be played through your own amplifier, speaker, etc.

### 1. Set the preamplifier selection switch

This product has a built-in equalizer function, which allows you to use it even if you don't have a sound amplifier or connected device. Use the preamplifier selection switch to set the output, as shown below

About to connect device	Switch position	Connection position of RCA audio cable
Devices with turntable input	PHONO	PHONO input interface
Devices without turntable input	LINE	Line input interface

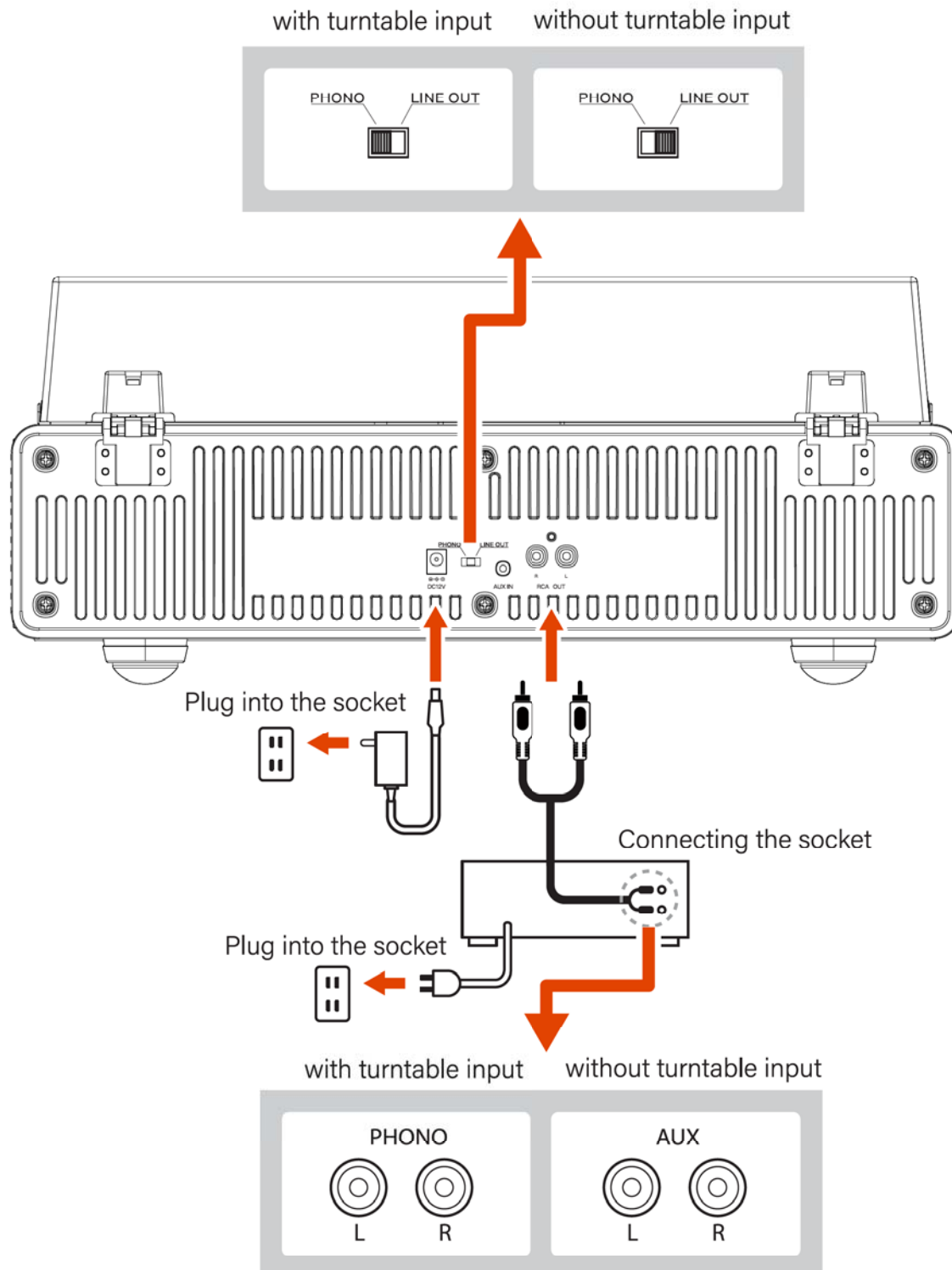
Note: The RCA jack is not designed to be directly connected to a power free speaker in line mode. If connected to a passive speaker, there will be no sound.



## 2. Connecting devices

Compare the settings of the preamplifier selector switch and connect the RCA audio cable to an input jack compatible with the connected device you are using (amplifier, active speaker, etc.)

· The red jack of the RCA audio cable is used for the right (R) channel, and the white jack is used for the left (L) channel.



## CONNECTING THE POWER SUPPLY

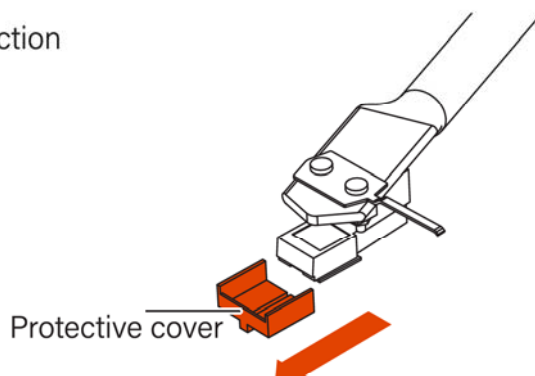
1. Insert the plug of the power adapter into the power interface on the back of the record player.

Attention: Before turning on the record player, please check all connections to ensure they are correct and safe. Before connecting or disconnecting the power, always turn off the record player.

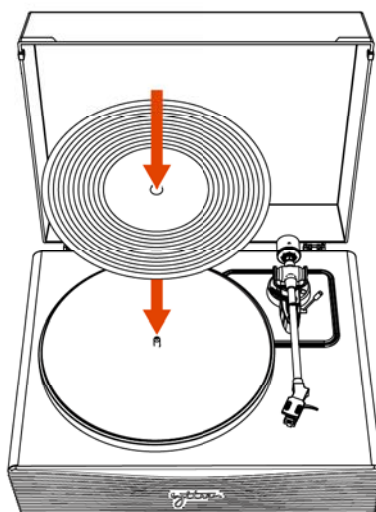
## PLAY A RECORD

1. Before playing the album
  - 1.1 Remove the stylus protective cover in a parallel direction

Attention: Applying downward force may cause the needle to fall off the cartridge. If the stylus has fallen off or is about to fall off, please refer to "Replacing the Stylus" to reinstall the stylus



- 1.2 Place the record on a non slip pad with the center hole aligned with the spindle.



## 2. Operating the record player

2.1 Connect the included power adapter to the record player, rotate the volume knob, the record player will turn on, and the indicator light will turn red.

2.2 Remove the protective cover of the stylus.

2.3 Place the record on a non slip pad.

2.4 According to the type of record, rotate the control knob to adjust the speed to 33 or 45

2.5 Press the "Start/Stop" button to start the turntable turning.

2.6 Open the locking buckle of the singing arm and lift the lifting rod of the singing arm.

2.7 Place the singing arm in the desired position on the record.

2.8 Lower the singing arm lifting rod.

## BLUETOOTH MODE

1. Connect the power adapter to the record player, and the indicator light will turn red.
2. Rotate the mode knob and adjust to Bluetooth mode. The indicator light will turn blue and flash quickly. You will hear the Bluetooth activation sound from the record player.
3. Turn on the Bluetooth function of the media device, search and select "SYITREN PARON II" connection. After a successful connection, the machine will emit a prompt sound.
5. When playing music on media devices, the indicator light will remain on.

Note: The Bluetooth version is 5.2

## AUXIN MODE

This record player comes with an AUX input jack for connecting external audio devices such as MP3 players, CD players, and iPods so that you can listen to external signal sources through the speaker of the record player.

1. Use an audio cable with a 3.5mm stereo connection at both ends of the cable (not included).
2. Insert one end into the AUX input jack of the record player, and the other end into the line output jack of the audio device.
3. Power on the record player and audio equipment. The indicator light on the record player is red.
4. The volume can be controlled by the record player, and all functions of the playback device can be operated as usual.
5. Please note that the AUX-IN function is a first priority function. Even if the indicator light of PHONO/BT is on.

These functions also do not work when using the AUX-IN function. Please unplug the AUX audio cable before using the PHONO/BT function.

Attention:

1. Ensure that the singing arm is securely locked to avoid any damage.
2. After playing, don't forget to turn off the power of the record player and your playback device.

## MAINTENANCE

### Player body

· When the record player becomes dirty or dusty, first disconnect the power and then wipe off the dust with a soft dry cloth.

- Do not use benzene, diluents, etc.

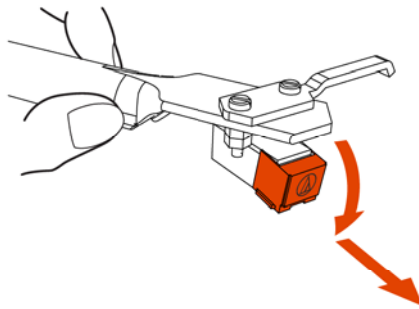
When storing this product for a long time, please unplug the power and package it with plastic;

- Do not let it get damp: the drive belt should be removed to prevent uneven stretching.

## REPLACING THE STYLUS

It is recommended to replace the stylus after 300 hours of use.

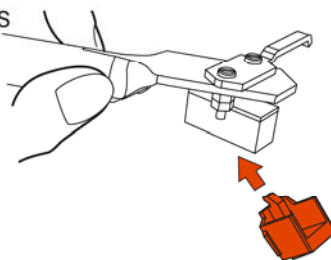
- Remove the stylus
- In addition to the deterioration of sound quality, records may also be damaged due to worn needle tips.
- Please make sure to disconnect the power supply of the product.
- When replacing the stylus, please hold the cartridge and the stylus box tightly.
- Press down on the front end of the stylus and remove it forward



Press down on the front end  
of the stylus and remove it forward

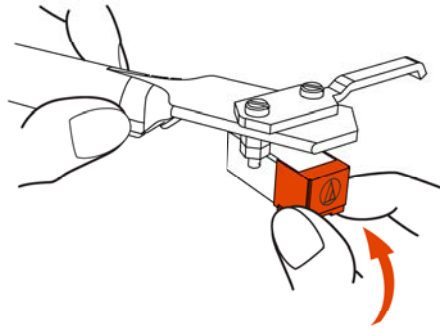
### Install a new stylus

1. Install the new replacement stylus  
onto the cartridge.

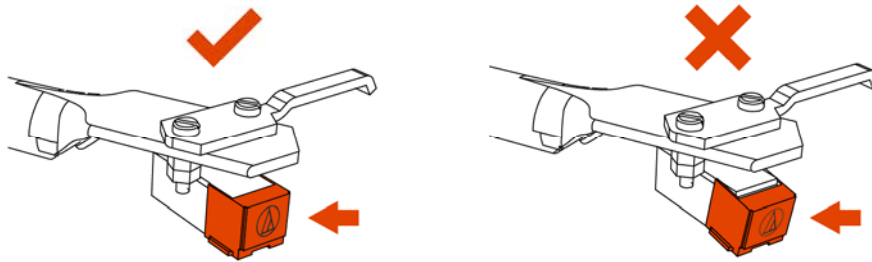


Insert the plug first

2. Lift the stylus upwards and hear a "click" sound.



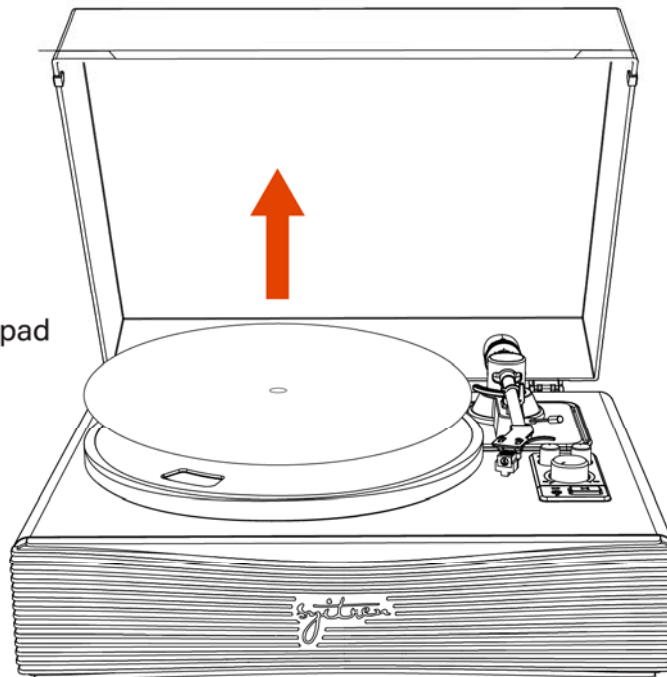
3. Ensure that there is no gap between the top cover and the pickup.



## REPLACING THE BELT

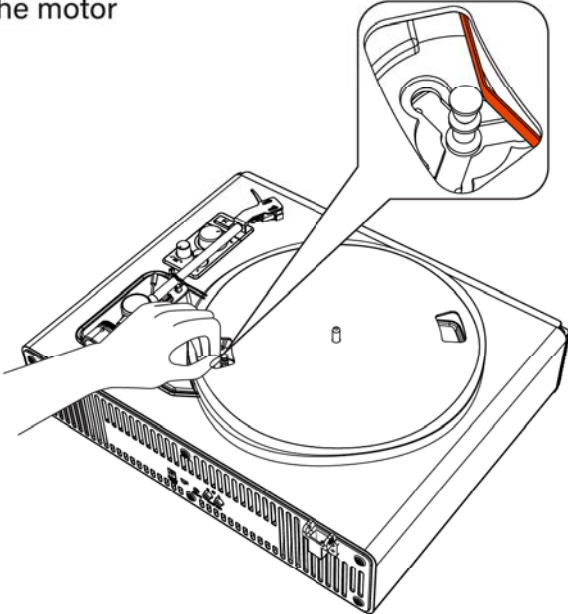
- Belts are consumables. If the playback speed slows down or there is irregular rotation, please replace the belt.
- Based on experience, we recommend replacing the belt once a year.
- Before replacing the belt, please make sure to disconnect the power supply of the product.

1. Remove the anti slip pad

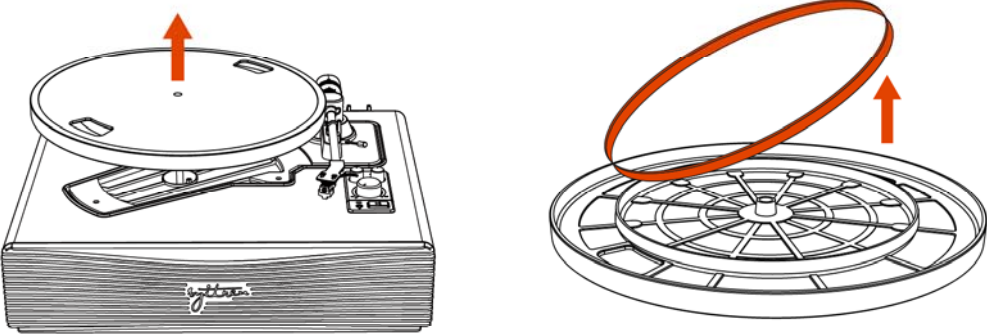




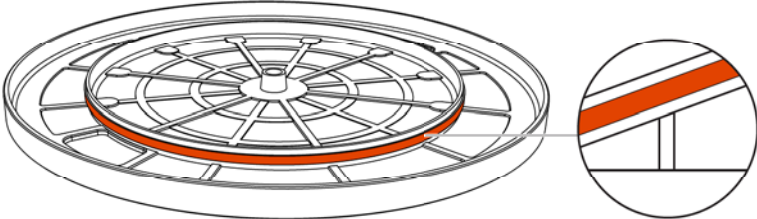
2. Remove the belt from the motor



3. Remove the turntable and remove the belt



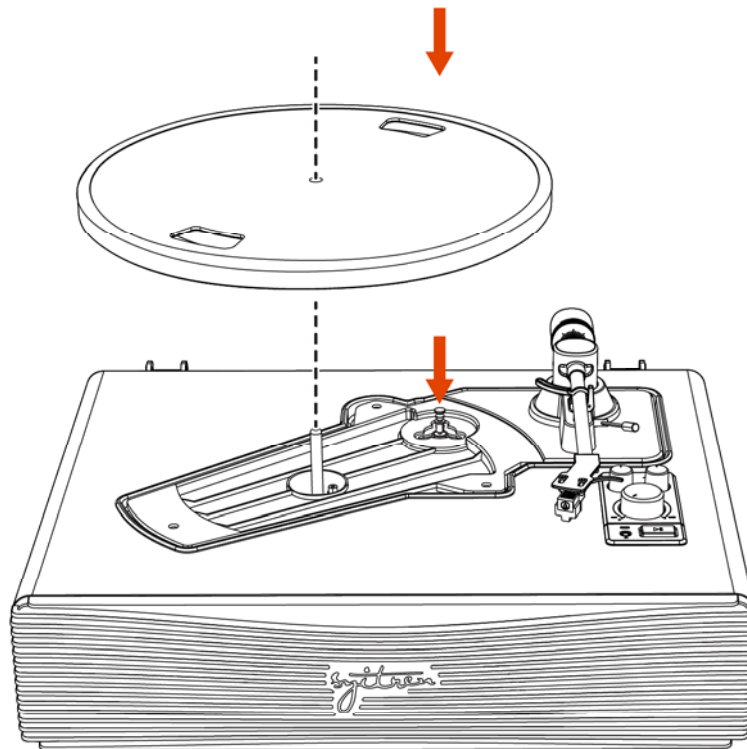
4. Install a new belt and ensure that the belt is installed in the middle of the ring



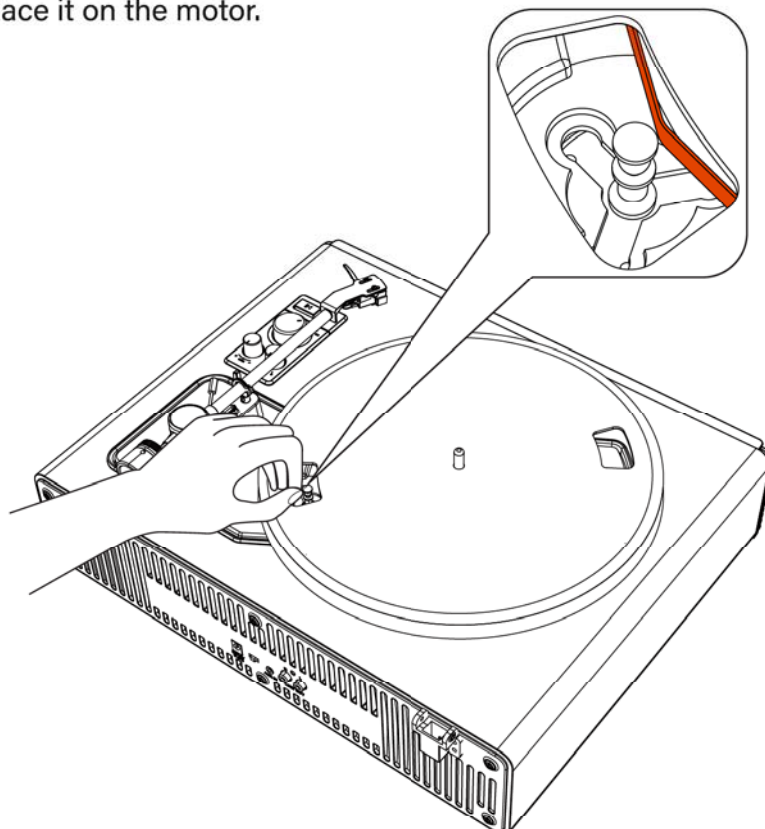


5. Install the turntable

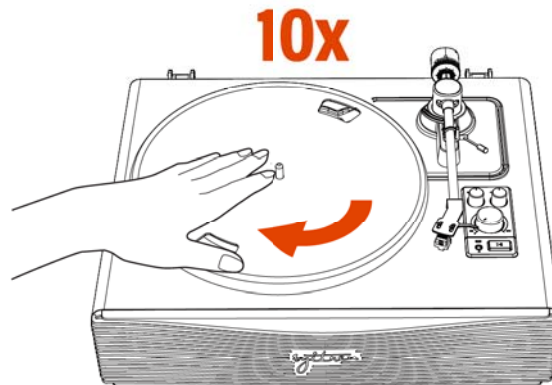
Align one of the openings on the turntable with the motor.



6. Install the belt onto the motor, grab the belt connected in step 4, pull the belt and place it on the motor.



7. Slowly rotate the plate clockwise ten times by hand, as shown in the following figure



## MOVE THE RECORD PLAYER

Use the original packaging material of the product to package the record player in the opposite order to when opened.

If you do not have packaging materials, please take the following measures:

- After disconnecting the power, remove the anti slip pad and turntable, and then package them to avoid damage.
- Install the stylus protective cover.
- Use a rope or similar thing to tie the sound to the locking position so that it does not shift.
- Wrap the record player in paper or soft cloth to avoid damage.

## TROUBLESHOOTING

Fault	Solution
<p>The turntable does not rotate</p>	<ul style="list-style-type: none"> <li>· Is the power adapter connected to the socket?</li> <li>-Connect the power adapter to the socket.</li>   <li>· What is the condition of the indicator light?</li> <li>-The red indicator light indicates the record player mode.</li>   <li>· Has the belt slipped off the turntable?</li> <li>-Place the belt correctly on the turntable.</li>   <li>· Is the belt placed on the motor?</li> <li>-Check if the belt is placed on the motor.</li>   <li>· Has the AUX cable been inserted?</li> <li>-The AUX function is the first priority function. Before using the PH/BT function, please unplug the AUX-IN cable.</li> </ul>
<p>Disc rotation, But there was no sound</p>	<ul style="list-style-type: none"> <li>· Is the singing needle broken?</li> <li>-Check the stylus and replace it if necessary. It is recommended to replace it after 300 hours of use.</li> <li>· Is the stylus placed correctly on the cartridge?</li> <li>-Check the cartridge and adjust it.</li> </ul>
<p>Play incoherent</p>	<ul style="list-style-type: none"> <li>· Is the record distorted?</li> <li>-Check the record.</li>   <li>· Has the record been damaged?</li> <li>-Check the record.</li> </ul>

<p>The record player makes a strange sound</p>	<ul style="list-style-type: none"> <li>· Will the product experience resonance from the floor, wall, or nearby speakers?</li> <li>-Reduce vibration or install the product on a surface that is not affected by vibration.</li>   <li>· Is the product installed on an unstable surface?</li> <li>-Check if the surface of the installed product is suitable.</li> </ul>
<p>There is noise when playing the album</p>	<ul style="list-style-type: none"> <li>· Is there any dust on the stylus?</li> <li>-If there is dust on the stylus, please clean it with a cleaning tool.</li> </ul>
<p>The sound is too fast or too slow when playing a record</p>	<ul style="list-style-type: none"> <li>· Is the speed setting of the record player correct?</li> <li>-Set the speed selection to match the record.</li> <li>· Is the belt position set correctly?</li> <li>-It is possible that the belt is slipping upwards, please place the belt in the correct position.</li> </ul>
<p>Slow playback speed or irregular rotation</p>	<ul style="list-style-type: none"> <li>· Has the belt been stretched?</li> <li>-Replace the new belt.</li>   <li>· Is the belt installed correctly?</li> <li>-Check and install the belt correctly.</li> </ul>

## SPECIFICATION PARAMETERS

### Turntable

Power parameters	AC100-240V, DC output 12V 1500mA
Power supply	35W
Channel separation	BT:60dB ,PH:23dB
SNR	BT:68dB ,PH:45dB
Speed	33 1/3, 45 RPM
Audio specifications	BASS:2.5"4Ω 15W*2 Treble:2" 8Ω 10W*2
Product size	442X430X455mm (OPEN)
Net weight	6KG

### Stylus

Model	AT3600L
Frequency response	+3dB at 10KHz, measured based on 1KHz
Channel balancing	<3dB at 1KHz
Channel separation	≥18dB at 1KHz
Output voltage	2.5mV at 1KHz ± 3dB 3.54cm/sec
Load resistance	47KΩ
Amplifier connection	MM
Net weight	5g

## MAINTENANCE

- Damage caused by improper handling, handling, placement, storage, or installation is not covered by this warranty.
- We suggest carefully reading and fully understanding any instructions provided regarding assembly/installation and service life.
- If the product cannot function properly, first check if there are other reasons, such as incorrect power connection.
- Customer service will require a purchase receipt, model description, brand, and explanation of faults and related issues.
- Please contact the merchant you purchased

### Disposal

#### Disposal of the Product

Under no circumstances should you dispose of this product in normal domestic waste. This product is subject to the provisions of European Directive 2012/19/EU. Dispose of this product via an approved disposal company or your municipal waste facility. Please observe currently applicable regulations.



Please contact your waste disposal center if you need any further information. This product's packaging is made from environmentally friendly materials and can be disposed of at your local recycling plant.



Compatible with BLUETOOTH® devices.

Compatible with iPod, iPhone, and iPad.

iPod, iPad, and iPhone are registered trademarks of Apple Inc. in the United States and other countries/regions.

BLUETOOTH® text mark and micro mark are registered trademarks of Bluetooth SIG, Inc.

Shenyang Saitalin Cultural Communication Co., Ltd

[www.sytren.com](http://www.sytren.com)

[service@sytren.com](mailto:service@sytren.com)

Made in China



## FCC Statement

This equipment has been tested and found to comply with the limits for a Class B digital device, pursuant to part 15 of the FCC Rules. These limits are designed to provide reasonable protection against harmful interference in a residential installation. This equipment generates, uses and can radiate radio frequency energy and, if not installed and used in accordance with the instructions, may cause harmful interference to radio communications. However, there is no guarantee that interference will not occur in a particular installation. If this equipment does cause harmful interference to radio or television reception, which can be determined by turning the equipment off and on, the user is encouraged to try to correct the interference by one or more of the following measures:

- Reorient or relocate the receiving antenna.
- Increase the separation between the equipment and receiver.
- Connect the equipment into an outlet on a circuit different from that to which the receiver is connected.
- Consult the dealer or an experienced radio/TV technician for help.

Caution: Any changes or modifications to this device not explicitly approved by manufacturer could void your authority to operate this equipment.

This device complies with part 15 of the FCC Rules. Operation is subject to the following two conditions: (1) This device may not cause harmful interference, and (2) this device must accept any interference received, including interference that may cause undesired operation.

### Portable

#### RF Exposure Information

The device has been evaluated to meet general RF exposure requirement. The device can be used in portable exposure condition without restriction.

### Mobile

#### RF Exposure Information

This equipment complies with FCC radiation exposure limits set forth for an uncontrolled environment. This equipment should be installed and operated with minimum distance 20cm between the radiator and your body.