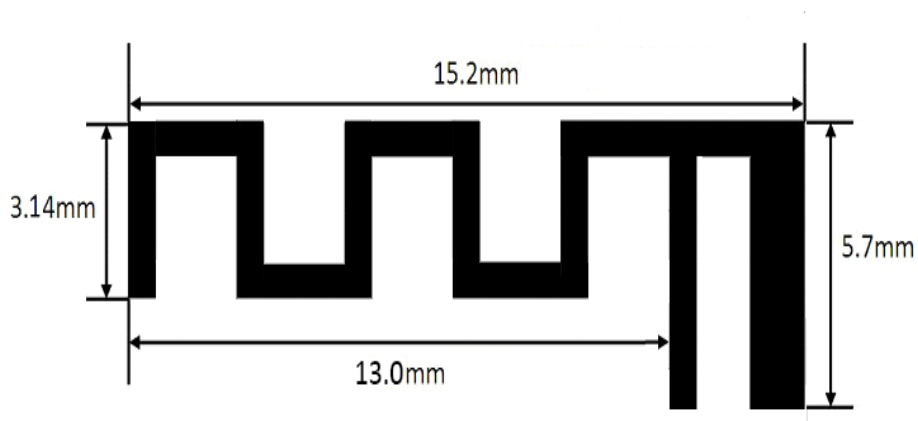


ANTENNA SPECIFICATION

Summary

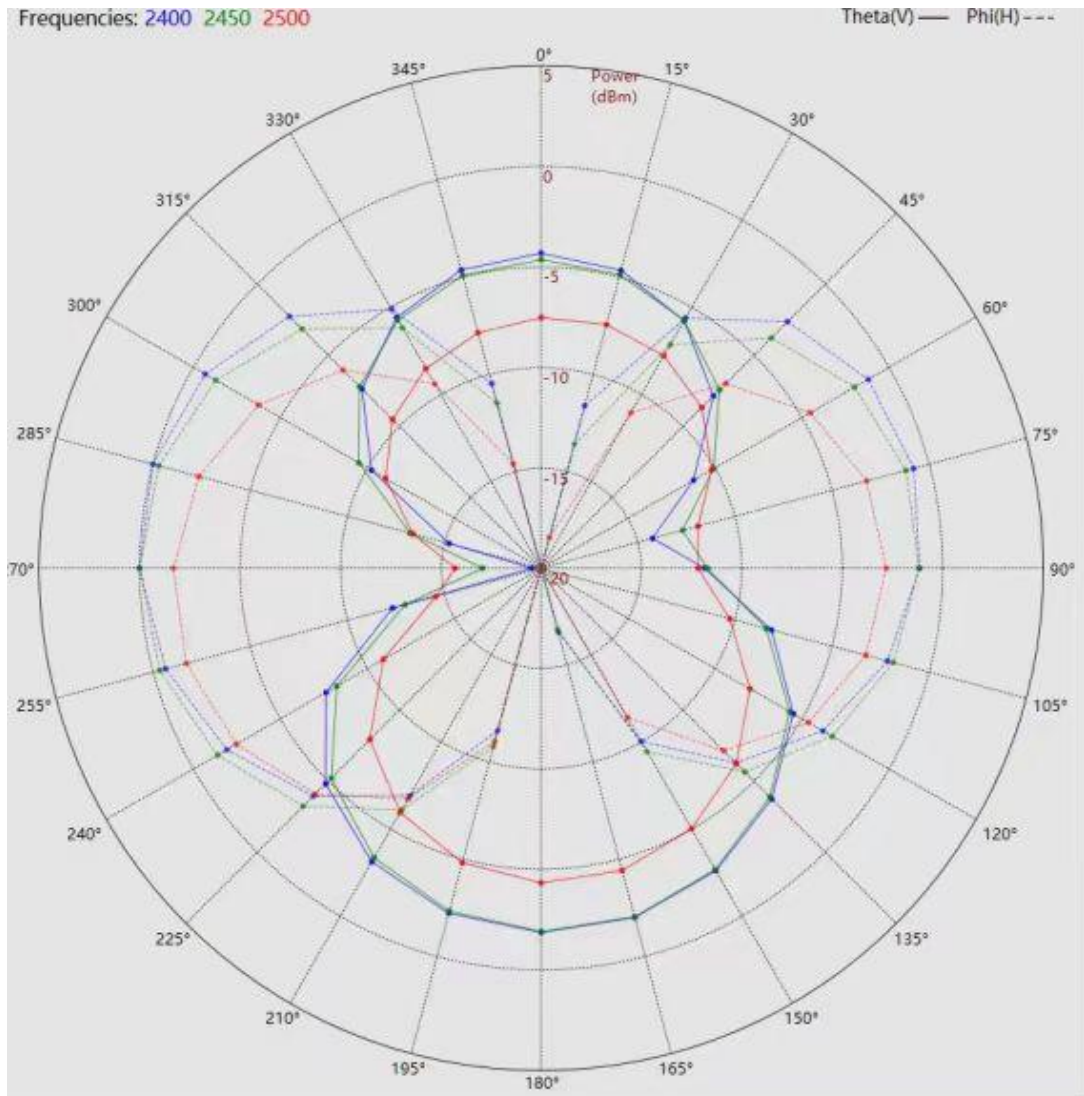
ITEM	ANT SPEC		
Model Name	2.4G ANT		
Antenna plate	PCB antenna		
Center Frequency	2400MHz	2450MHz	2500MHz
	0 DB	-0.01 DB	-1.6 DB
MAX. Gain	0 DB		
Polarization	Horizontal and Vertical		
Impedance	50Ohm		
Manufacture			

AntennaPhoto&Length(mm)



Shenzhen Cheyang Technology Co.,Ltd.

Address: 369 Bulong Road, Ma'antang Community, Bantian Street, Longgang District, Shenzhen



Frequency (MHz)	Gain(dBi)			
	Horizontal		Vertical	
	Max.	Min	Max.	Min
2400	0	-36.52	-1.81	-28.82
2450	-0.01	-30.31	-1.92	-18.95
2500	-1.6	-32.64	-4.55	-16.65