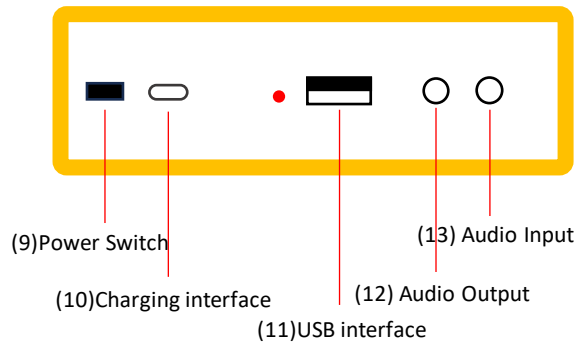
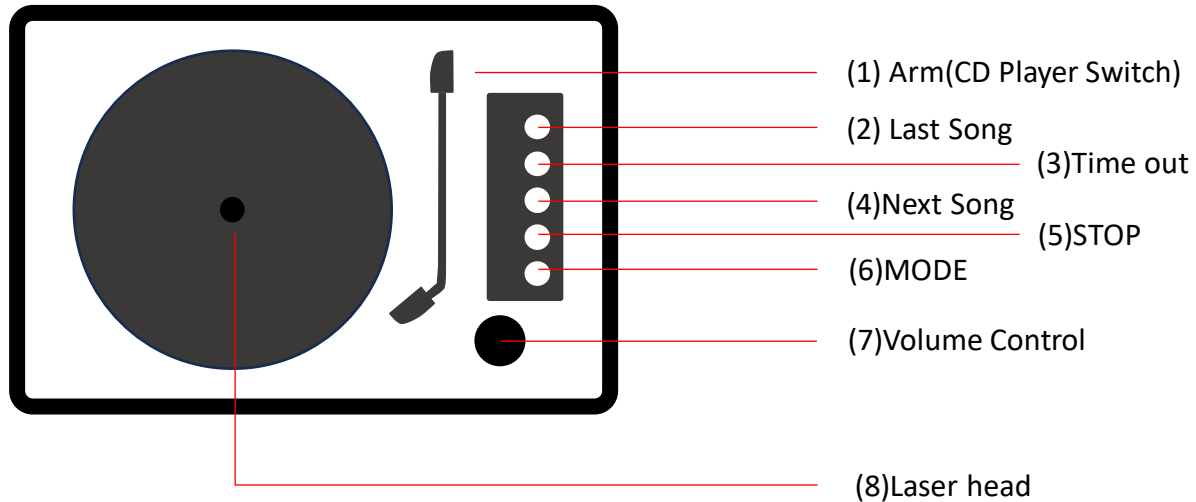


**MULTI-FUNCTION CD PLAYER  
INSTRUCTION MANUAL**

# Schematic diagram of panel and interface



## **Specification Parameter**

Package list: CD MACHINE X 1 Charging line X 1 Remote  
Distortion limited output power: 5W+5W  
Rated audio frequency response range: 100Hz-15KHz  
Noise level:  $\leq 25\text{DB}$   
RATED INPUT: 5V 2A  
POWER INTERFACE: TYPE C

## **How to power it on?**

- 1.Put in the disc, flick the arm 1(CD read and switch), at this time the disc began to rotate.
- 2.Through the panel button KNOB or remote control to complete the volume regulation, up and down, pause play

## **How to use the Bluetooth function?**

With the machine powered on, press the MODE button once or press the Bluetooth button on the remote control to switch to Bluetooth mode. The machine light will turn blue and start flashing. Then, go to the Bluetooth settings on your mobile device, search for "CD Bluetooth," and pair and connect to it. The light will stay solid blue. You can now play music from your mobile device through the Bluetooth connection.

## **How to Connect Bluetooth Headphones & Bluetooth Speakers (Bluetooth Transmitter models only)?**

- (1) Using the remote control, press and hold the Bluetooth icon button for 3 seconds, or on the device, press and hold the Play/Pause button for 3 seconds to switch to Bluetooth transmitting mode.
- (2) Put your Bluetooth headphones or Bluetooth speakers into pairing mode.
- (3) The device will automatically connect to the paired Bluetooth headphones or speakers.

## Flash drive plays

While the machine is powered on, simply insert the USB drive. It will read the data briefly and start playing the music.

## How to connect external speakers?

Use an AUX audio cable to connect one end to the CD player's headphone jack and the other end to the audio input on your external speakers. The music will play through the connected speakers.

## Safety tips

- 1.This CD player cannot play DVDs, VCDs, MP4s, CD-ROMs, DVD-ROMs, or other similar discs. If such discs are used, the machine will not be able to read them and will automatically stop spinning after a while.
- 2.Discs with significant scratches may cause malfunctions during CD playback. Please avoid using heavily scratched discs.

## Safety tips

### 3. Remote control not working:

- Check if the remote control has batteries installed.
- Ensure that the batteries are inserted correctly with the correct polarity.
- Verify if the batteries have sufficient power.
- Make sure the remote control is pointed towards the CD player's sensor area.
- Ensure that the remote control is within a distance of 5 meters from the CD player.

4. For any other malfunction, please contact customer support immediately. Do not attempt to dismantle the CD player on your own.

5. Avoid using the CD player in damp locations, such as bathrooms, as excessive moisture can damage electronic components.

6. During CD playback, if you experience stuttering or freezing, it may be due to the insufficient power supply. You can try replacing the charging plug to see if it resolves the issue.

Please follow these guidelines to address the mentioned faults and ensure the proper functioning and longevity of the CD player.

FCC Warning:

This equipment has been tested and found to comply with the limits for a Class B digital device, pursuant to part 15 of the FCC Rules. These limits are designed to provide reasonable protection against harmful interference in a residential installation. This equipment generates, uses and can radiate radio frequency energy and, if not installed and used in accordance with the instructions, may cause harmful interference to radio communications. However, there is no guarantee that interference will not occur in a particular installation. If this equipment does cause harmful interference to radio or television reception, which can be determined by turning the equipment off and on, the user is encouraged to try to correct the interference by one or more of the following measures:

- Reorient or relocate the receiving antenna.
- Increase the separation between the equipment and receiver.
- Connect the equipment into an outlet on a circuit different from that to which the receiver is connected.
- Consult the dealer or an experienced radio/TV technician for help.

Caution: Any changes or modifications to this device not explicitly approved by manufacturer could void your authority to operate this equipment.

This device complies with part 15 of the FCC Rules. Operation is subject to the following two conditions:

(1) This device may not cause harmful interference, and (2) this device must accept any interference received, including interference that may cause undesired operation.

This equipment complies with FCC radiation exposure limits set forth for an uncontrolled environment. This equipment should be installed and operated with minimum distance 0cm between the radiator and your body.