

CD player parameters

1, **body size:** 205mm × 162.7mm × 52mm

2, **machine net weight:** 1.25kg

3, **rated power:** 10w

4, **rated voltage:** 3.7v

CD player functions

1, play CD

2, Bluetooth mobile phone music

3, plug U disk, memory card (with card reader) play

4, built-in double speakers, with amplified function, stereo playback

5, support plug 3.5mm headphones to listen to music

6, support external speakers to listen to music

8, support normal playback, single loop, all loop, random playback

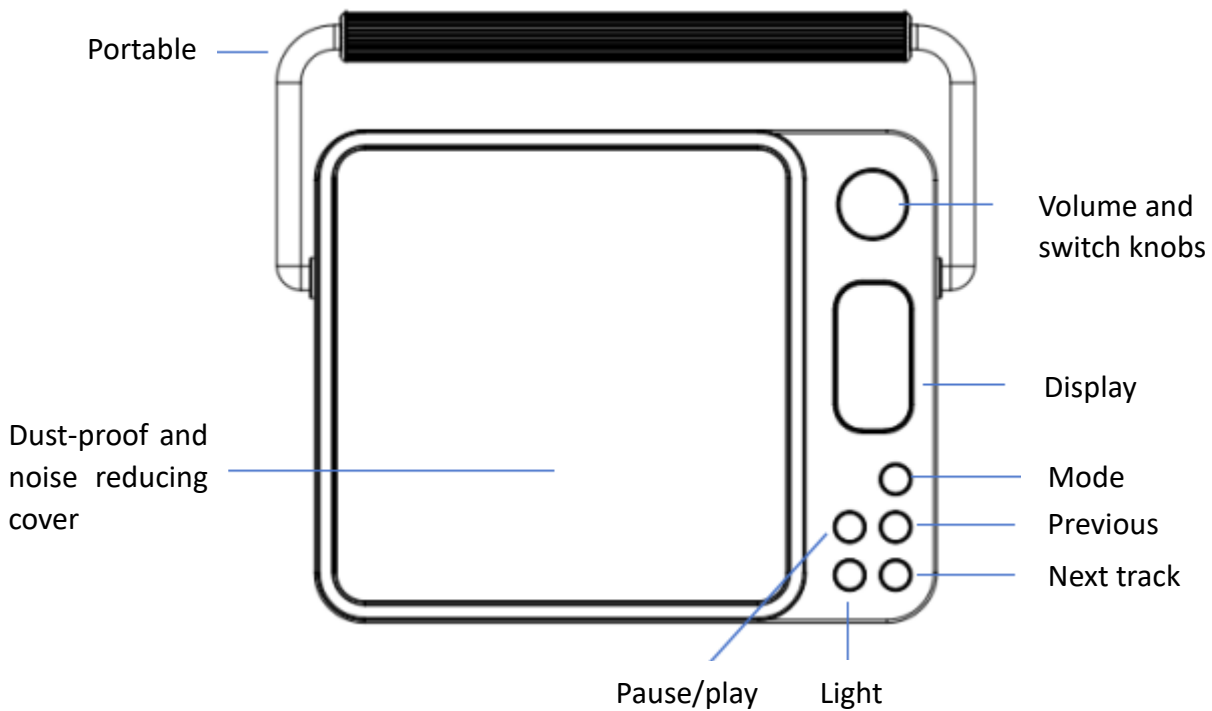
10, support for table use

11, support vinyl CD playback

12, support fast forward fast back function

13, built-in large capacity battery, can be carried with you

14, wireless remote control function



Volume and switch knob: Long press to turn on, long press to turn off, left slide to reduce volume, right slide to increase volume

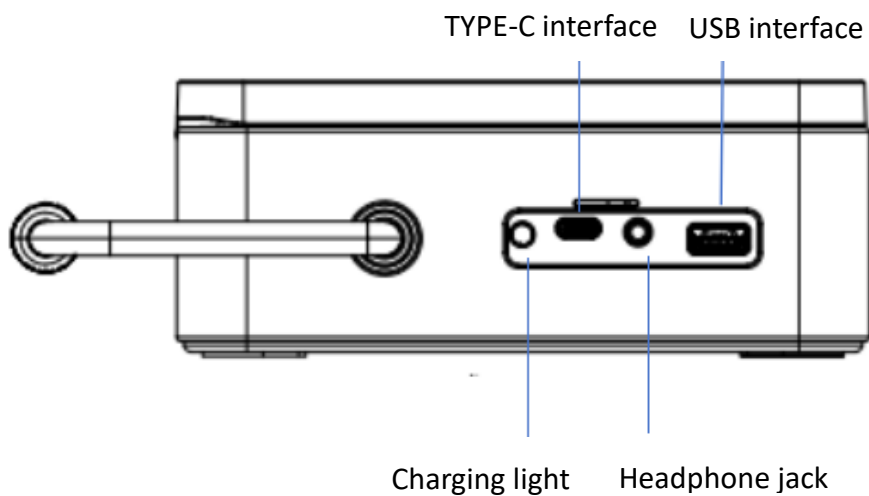
Mode key: Short press to switch mode (Bluetooth, fm, cd), and long press to enable the Bluetooth transmitter.

Previous: Short press to switch to previous, long press to rewind.

Next: Short press to switch to the next song, long press to fast forward.

Light: Short press to switch the light mode (long light, breathing light), and long press to turn off the light.

Pause/Play: Press to pause and press to play.



Function introduction

1, How to turn on

Long press the knob to start the machine when the battery is powered or the machine is connected

2, How to shut down

In the power on state, long press the knob to shut down.

3. How to play a CD

First prepare the CD disc, install the CD disc on the CD machine, turn the switch knob to the right (the machine is turned on in CD mode by default), and then the CD begins to turn, read the disc about 10 seconds to start playing music

4, How to use Bluetooth function

When the machine is on, press the MODE key or Bluetooth button on the remote control to switch to Bluetooth mode.

The screen Bluetooth sign flashes and sounds, then search for S9 in the Bluetooth setting interface of the phone, and click on the pairing connection. At this time, the screen Bluetooth sign lights up and prompts the sound, and then any music software of the phone can play music.

5, how to use the U disk to play

In the boot state, you can insert the USB flash drive in any mode, and start playing music after reading the data of the USB flash drive for a short time


6, how to use external speakers

Bring an AUX audio cable, one end is plugged into the speaker, the other end is plugged into the CD player headphone hole, connected to play music

7. How to use the A-B repeat function

Press the A-B button on the remote control at the beginning of the position that needs to be repeated, and press the A-B button again at the end. Then the segment will be repeated. Press the A-B button again to cancel the replay playback.

8. How to choose the playing order in CD mode

When the CD is playing normally, press the button on the remote control , and switch a playing mode with each press, respectively, random play, all loops, single loops, and normal play

9. How to fast forward and fast back

Fast forward: Long press the next button on the machine or remote control

Fast rewind: Long press the previous button on the machine or remote control

10, how to connect Bluetooth headset & Bluetooth speaker (only Bluetooth transmitter)

remote control long press the 3 seconds mode key or the machine long press the 3 seconds mode key to switch to Bluetooth emission mode, and then the Bluetooth headset or Bluetooth speaker to the pairing state, you can automatically connect.

Fault and cause

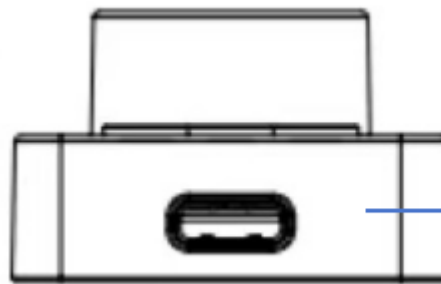
1. Discs with more scratches may cause the CD player to malfunction. Do not use discs with more scratches.

2, the remote control can not be used: please check whether the remote control is electric, whether the remote control is sensing the position of the CD player, whether the remote control is more than 5 meters away

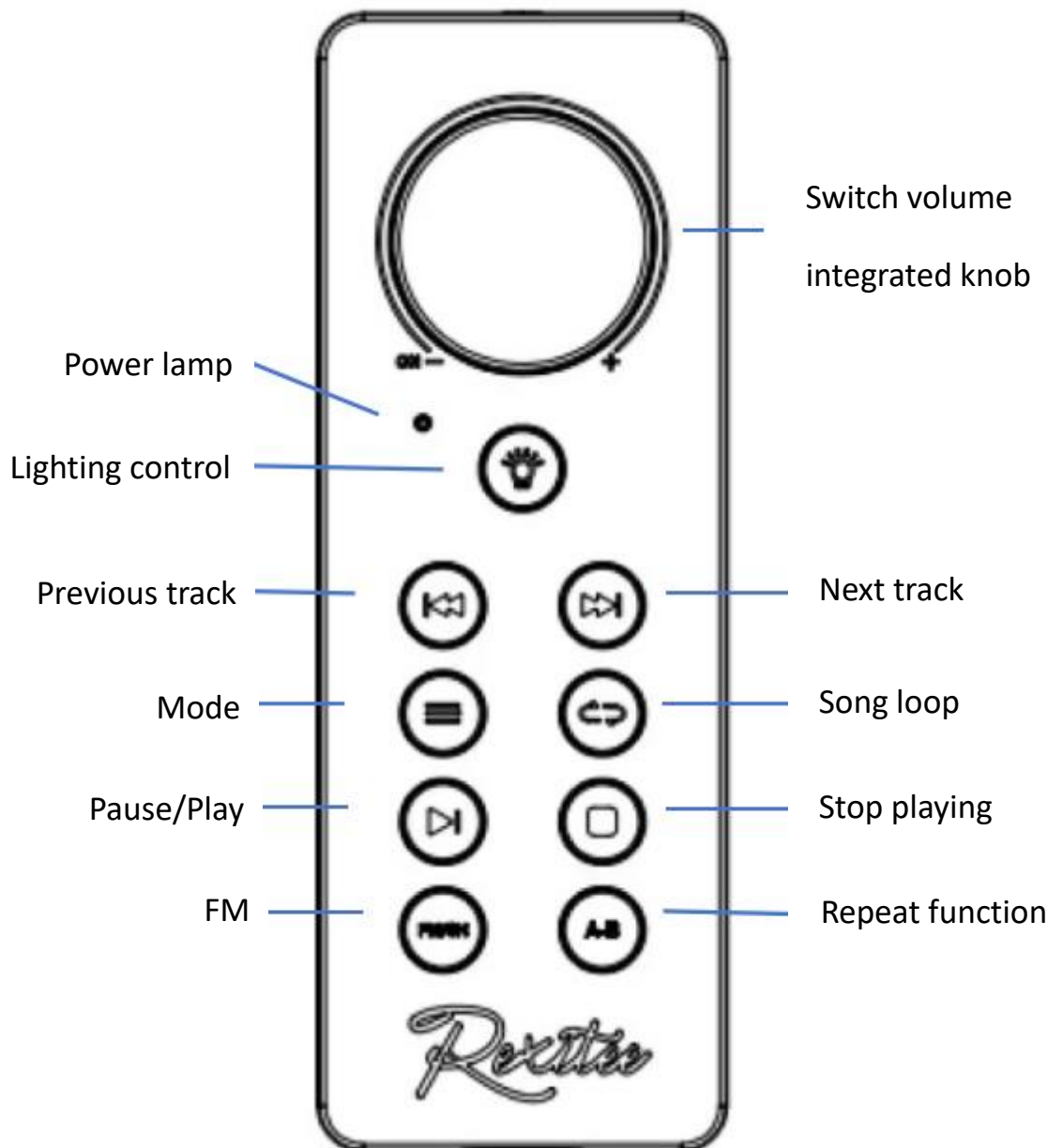
3, other problems, please contact any after-sales, do not disassemble the CD player without permission.

4, do not use the CD player in the position of heavy moisture, such as the bathroom is prone to moisture resulting in damage to the electronic zero device.

Remote control manual



Type-c port



Switch volume
integrated knob

Power lamp

Lighting control

Previous track

Mode

Pause/Play

FM

Next track

Song loop

Stop playing

Repeat function

Reetee

Switch/volume integrated Knob: Long press to turn off, left slide volume to decrease, right slide volume to increase.

Next: Short press to switch to the next song, long press to fast forward.

Previous: Short press to switch to previous, long press to rewind.

Song loop mode: Tap to switch (single loop, full loop, random play)

Light control: Short press to switch the light mode (long light, breathing light), long press to turn off the light

Mode switching: Short press to switch mode (Bluetooth, fm, cd), and long press to turn on the Bluetooth transmitter.

Pause/Play: Press to pause and press to play.

Stop playing: Short press to stop playing, the cd stops rotating (equivalent to shutdown)

AB replay: Press the A-B button on the remote control at the beginning of the position that needs to be repeated, press the A-B button again at the end, and then the paragraph will be repeated. Press the A-B button again to cancel the replay playback.

FM: Press and hold the pause button to search for a radio station.

FCC Warning:

This equipment has been tested and found to comply with the limits for a Class B digital device, pursuant to part 15 of the FCC Rules. These limits are designed to provide reasonable protection against harmful interference in a residential installation. This equipment generates, uses and can radiate radio frequency energy and, if not installed and used in accordance with the instructions, may cause harmful interference to radio communications. However, there is no guarantee that interference will not occur in a particular installation. If this equipment does cause harmful interference to radio or television reception, which can be determined by turning the equipment off and on, the user is encouraged to try to correct the interference by one or more of the following measures:

- Reorient or relocate the receiving antenna.
- Increase the separation between the equipment and receiver.
- Connect the equipment into an outlet on a circuit different from that to which the receiver is connected.
- Consult the dealer or an experienced radio/TV technician for help.

Caution: Any changes or modifications to this device not explicitly approved by manufacturer could void your authority to operate this equipment.

This device complies with part 15 of the FCC Rules. Operation is subject to the following two conditions:

(1) This device may not cause harmful interference, and (2) this device must accept any interference received, including interference that may cause undesired operation.

This equipment complies with FCC radiation exposure limits set forth for an uncontrolled environment. This equipment should be installed and operated with minimum distance 0cm between the radiator and your body.