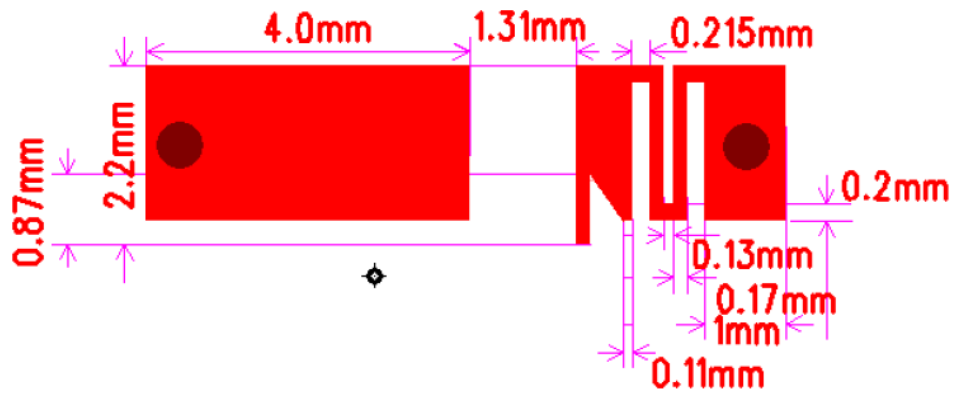
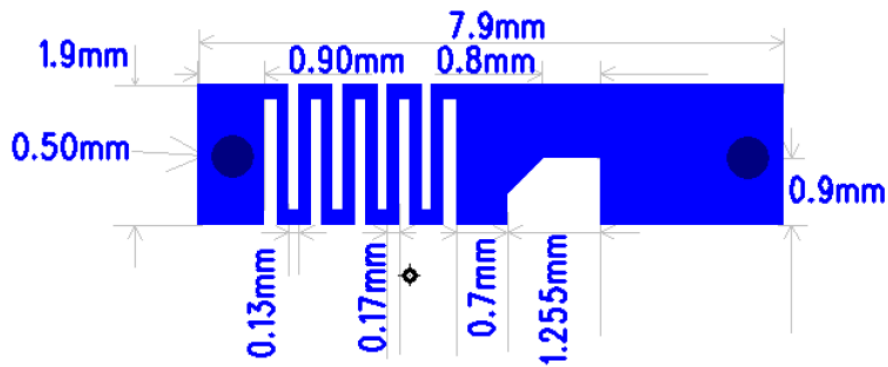


Antenna Specification

Summary

ITEM	ANT SPEC
Model Name	2.4G ANT
MAX. Gain	1.29dBi
Polarization	Horizontal and Vertical
Azimuth Beam Pattern	Omni-directional
Impedance	50 Ohm
Antenna Length	26.5mm
Manufacture	Shenzhen Shichuangxin Technology Co., Ltd



Frequency	Gain(dBi)
2400MHz	0.47
2410MHz	0.36
2420MHz	1.03
2430MHz	0.67
2440MHz	0.23
2450MHz	1.29
2460MHz	1.05
2470MHz	1.11
2480MHz	0.23
2490MHz	0.85
2500MHz	0.36