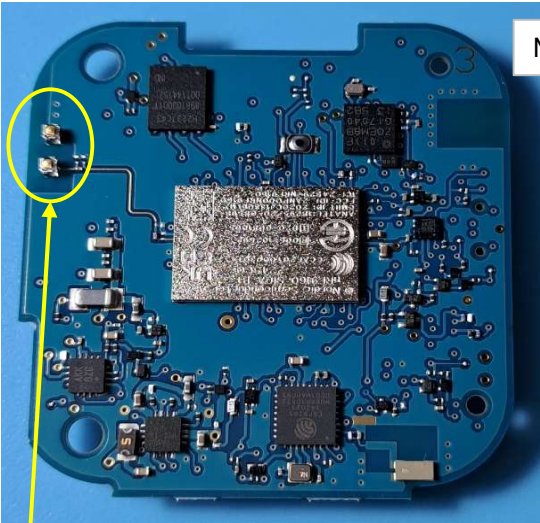


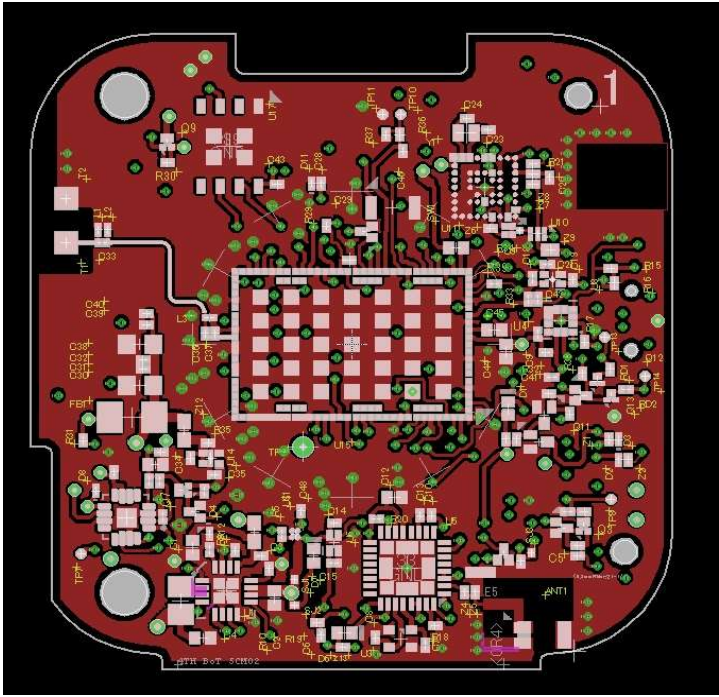


<Internal Photos : Bottom Side PCB>



MainPCB(Bottom)

Antenna Contact : T1/T2  
will contact with the feed points of LTE antenna

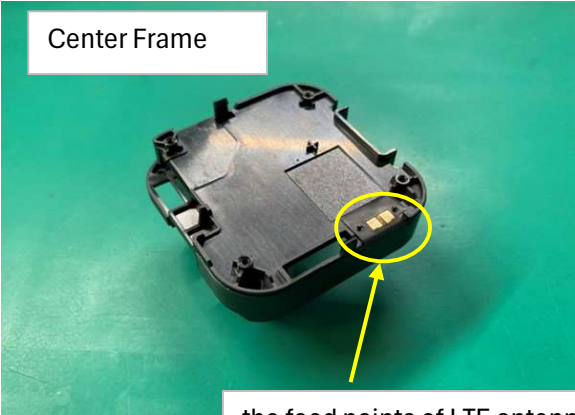


(CAD Layout Drawing)

<Internal Photos : LTE Antenna>

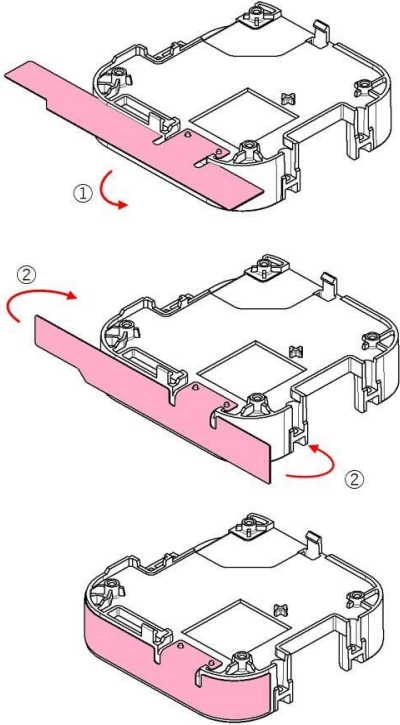


Antenna (FPC film)



the feed points of LTE antenna

Antenna Assembly



(Explanation for assembly)

<Internal Photos : Cases And Assembly>

