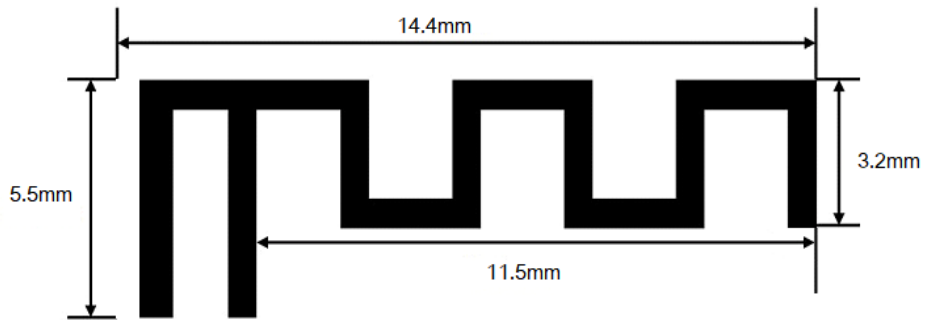


# Antenna Specification

## Summary

ITEM	ANT SPEC
Model Name	2.4G ANT
MAX. Gain	2dBi
Polarization	Horizontal and Vertical
Azimuth Beam Pattern	Omni-directional
Impedance	50 Ohm
Antenna Length	14.4mm
Manufacture	Qingdao Thunderobot Technology Co.,Ltd.
Address	No. 1, Haier Road, Laoshan District, Qingdao
Antenna Type:	PCB Antenna

## Antenna Photo & Length (mm)



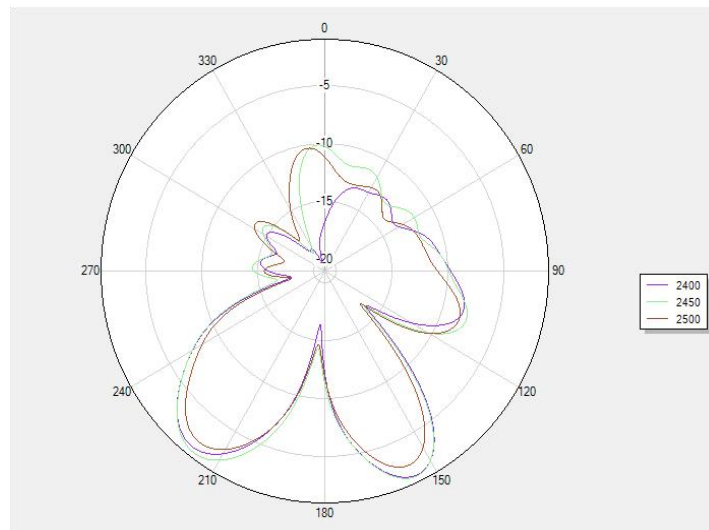
## 1.Test Results

### Gain and Efficiency

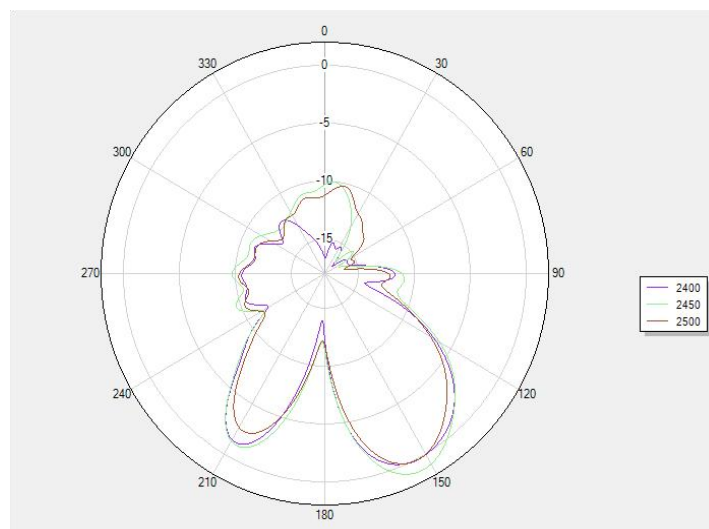
Frequency (MHz)	Peak Gain (dBi)	Efficiency (%)
2400	0.57	17.44
2410	0.65	17.81
2420	0.91	18.56
2430	0.86	18.73
2440	1.02	18.92
2450	1.35	19.35
2460	1.21	18.60
2470	2.00	18.74
2480	1.05	17.53
2490	0.82	16.86
2500	0.43	15.60

## 1.2 Radiation Pattern

Phi 0 2D



Phi 90 2D



Theta 90 2D

