

# Installation Manual

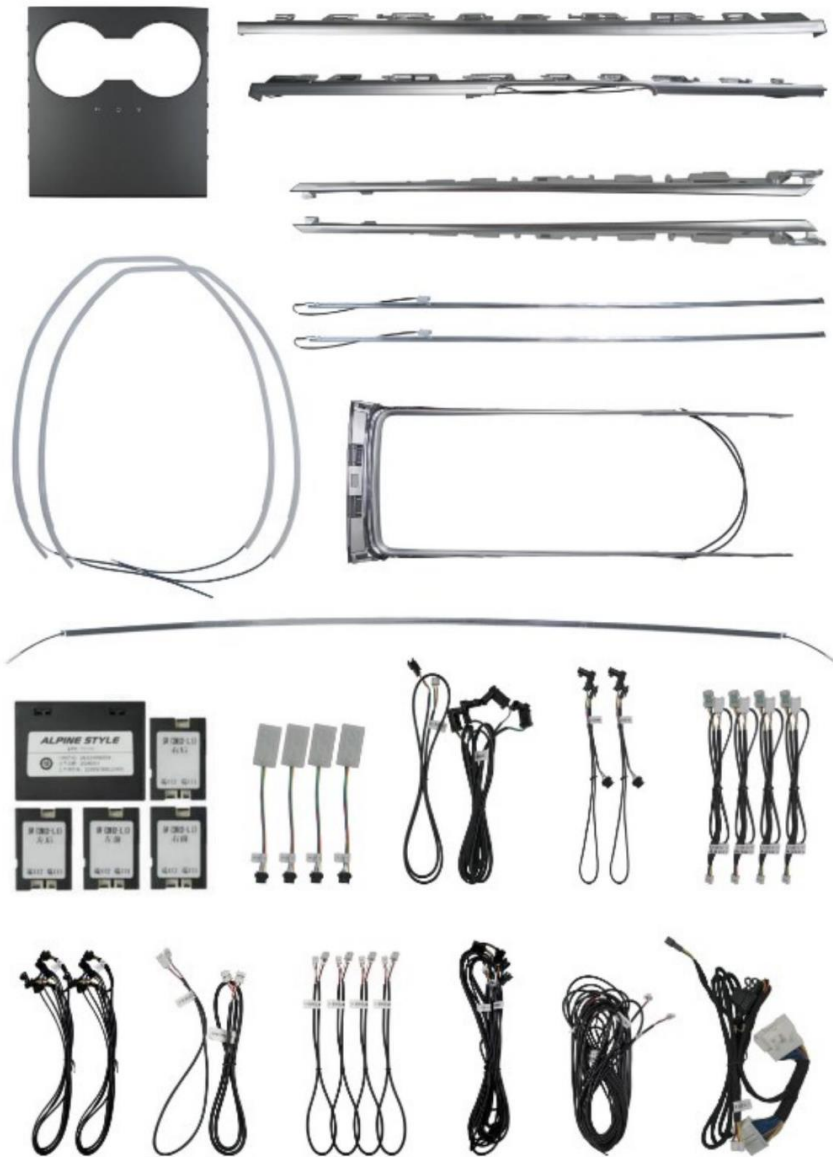
*Dynamic Ambient Light*

## **ALPINE - KTX-AMB1**

*(For Model 3/Model Y, Year: 2021~2022)*



**Product Components**



**Product Components**



Underneath dashboard light strip x2



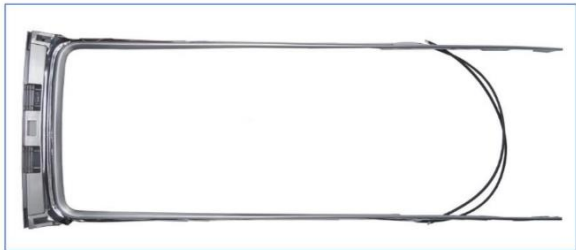
Upper dashboard light strip



Front door light strip x2



Rear door light strip x2



Central console light strip

**Product Components**



Underneath dashboard light strip x2



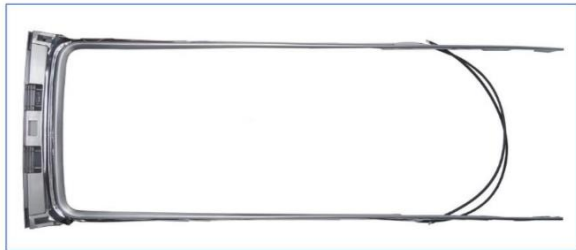
Upper dashboard light strip



Front door light strip x2



Rear door light strip x2



Central console light strip

**Product Components**



Seatback light strips x2



Module x5



Touch screen panel



Power cable  
(Main control  
box)

Power cable  
(Small control  
box)



Connection  
cable of door  
light strips x4

Connection  
cable of  
dashboard x2



Footwell  
light x4

Door storage  
box light x4

Upper  
dashboard  
light x2

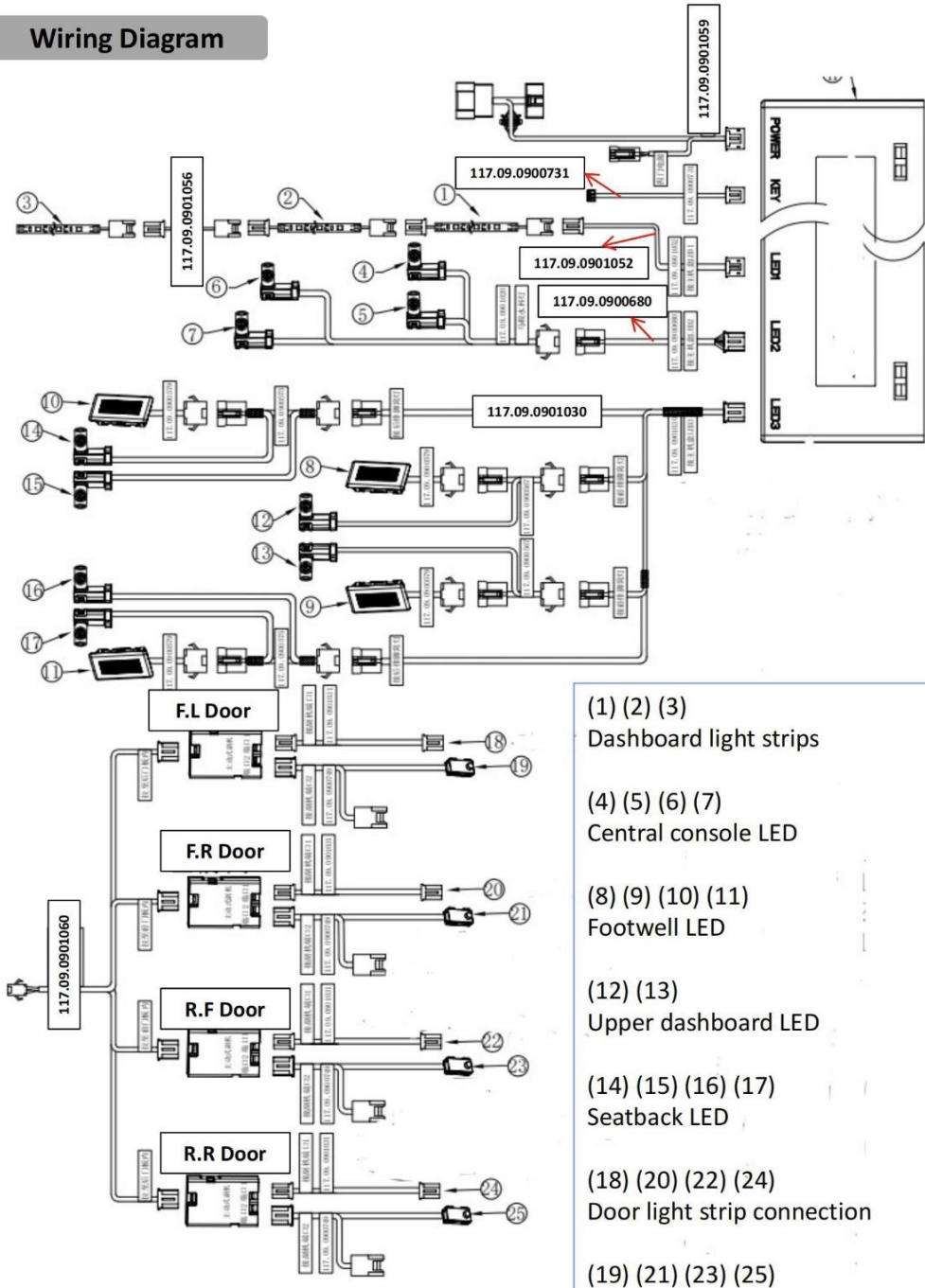


Light cable of  
central  
console

Connection  
cable of  
footwell

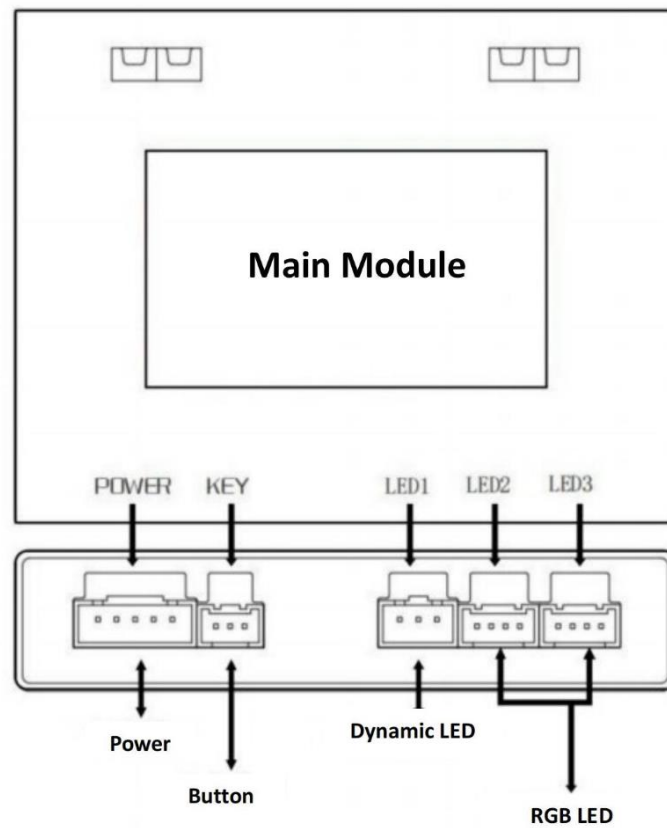
Light cable of  
seatback

# Wiring Diagram



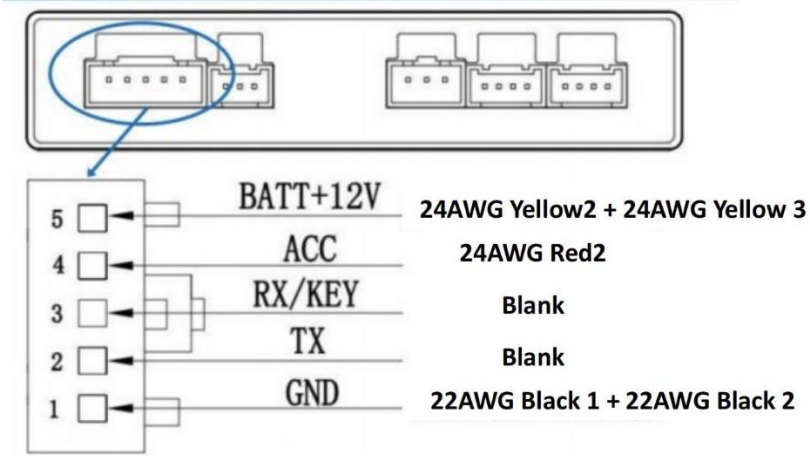
- (1) (2) (3)  
Dashboard light strips
- (4) (5) (6) (7)  
Central console LED
- (8) (9) (10) (11)  
Footwell LED
- (12) (13)  
Upper dashboard LED
- (14) (15) (16) (17)  
Seatback LED
- (18) (20) (22) (24)  
Door light strip connection
- (19) (21) (23) (25)  
Door storage box lamp

## Main Module Sockets

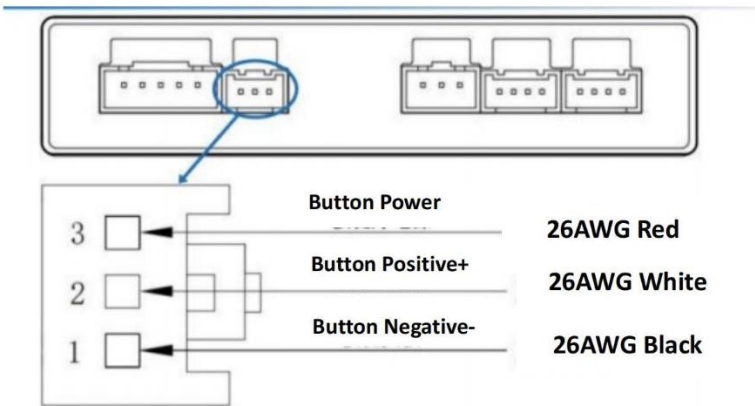


- \* Power (Connect the power cable of ambient light to car power)
- \* Button (Connect the button included in the ambient light product for controlling the ambient light)
- \* Dynamic LED (Connect the 3 PIN dynamic LED strips, normally for contour light)
- \* RGB LED (Connect the 4 PIN LED strips or LED, normally for door storage box LED or footwell LED)

### Power Socket Definition

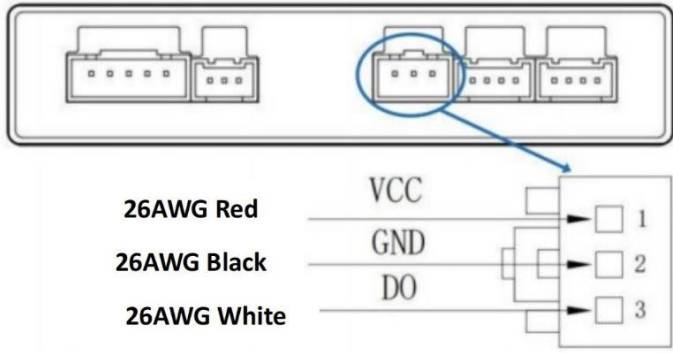


### Button Socket Definition

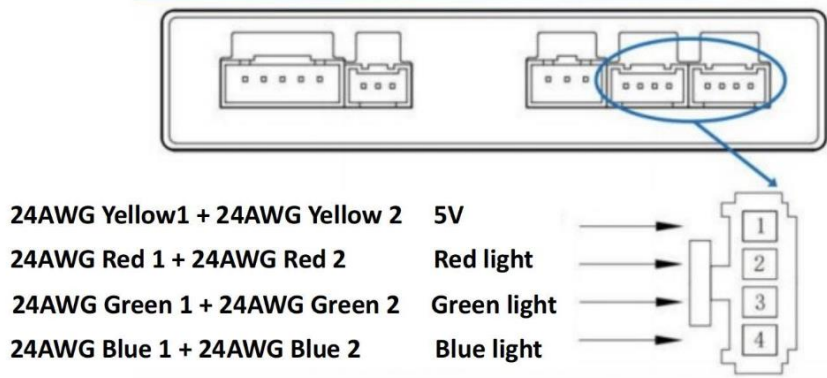




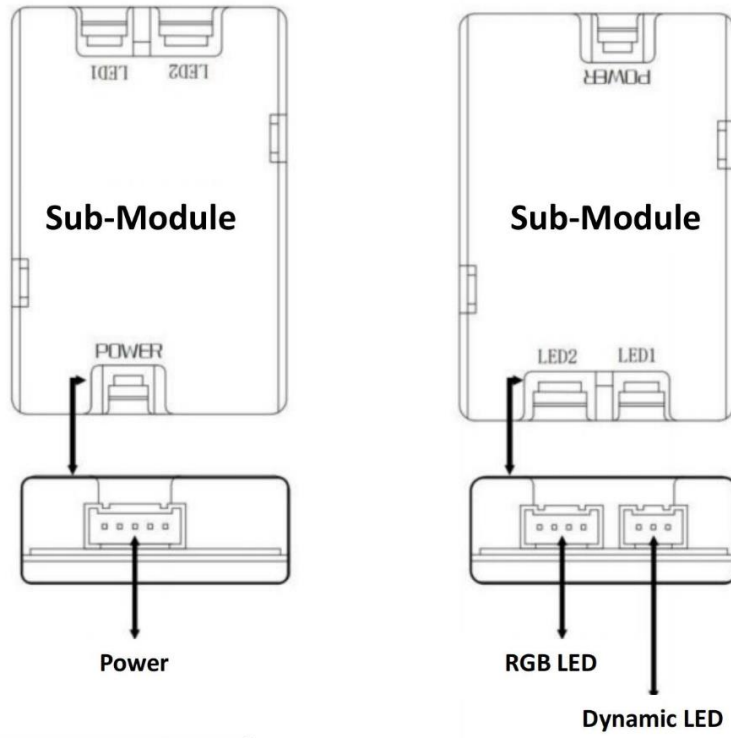
**Dynamic LED Socket Definition**



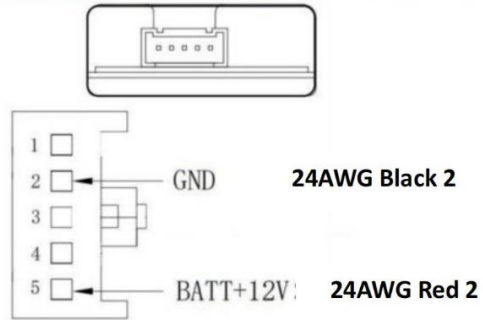
**RGB LED Socket Definition**



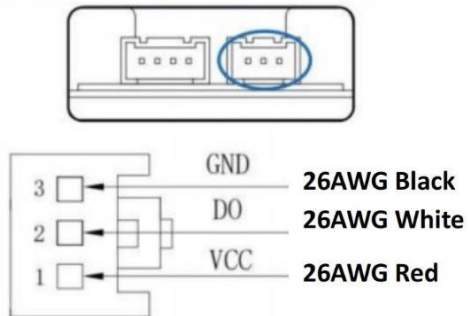
## Sub-Module Sockets



## Power Socket Definition



**Dynamic LED Socket Definition**



**RGB LED Socket Definition**



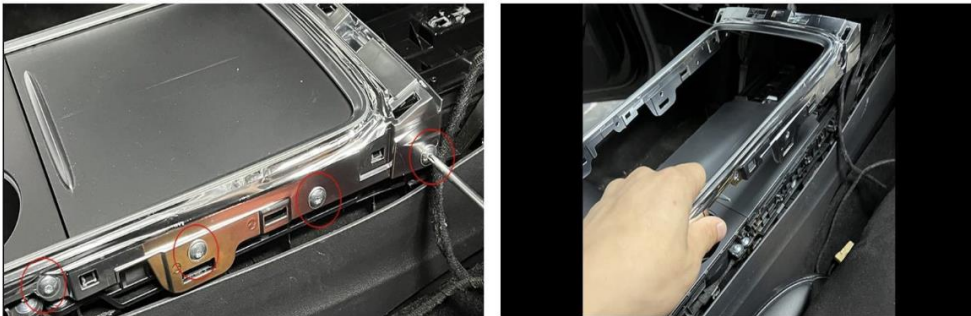
### Important Notice

- Please read this manual carefully and according to the steps for correct installation
- The ambient light color is set by the APP
- Use touch screen panel to control the colors

### Control Console



1. Pry open and remove the original central console cover plate



2. Remove the original central console trim



3. Install our touch screen panel



4. Main module power cable connect with cigarette lighter

### Dashboard



1. Pry open the cover plate of both side dashboard



2. Remove the original trim



3. Install our dashboard light strips



4. Use holt melt glue to fix the light strips



5. Cut away the raised plastic marked in red in the photo, in order to avoid damaging the LED strips

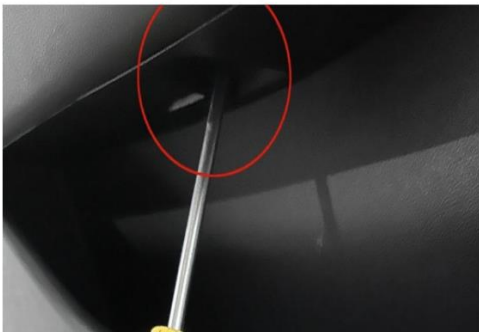


6. Install the upper dashboard light strip

## Door and Seatback



1. Remove the door panel setscrews



2. Remove the screw showed above



4. Remove the original door trim and install our door light strips



5. Install the door storage box light on the original reserved position



6. Remove the setscrew of rear door panel



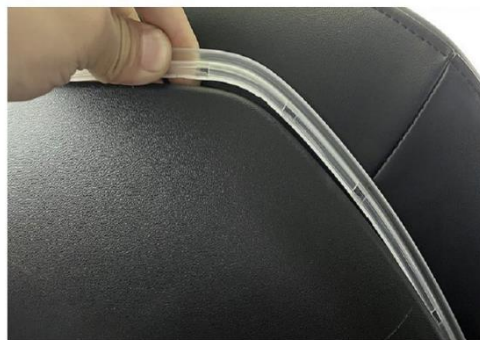
7. Remove the setscrew of rear door panel



8. Install the rear door light strips



9. Install the door storage box light on the original reserved position



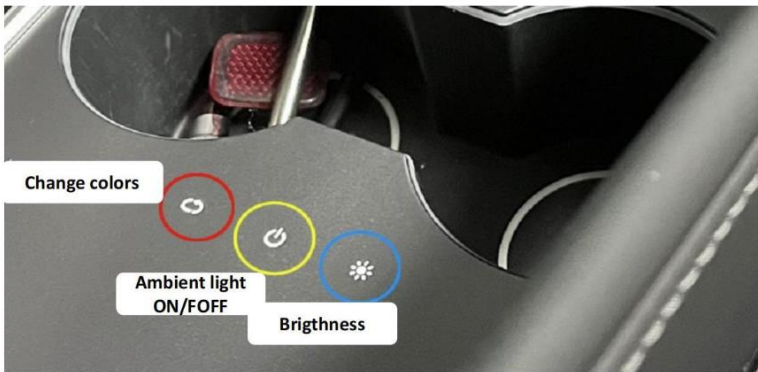
10. Install the seatback light



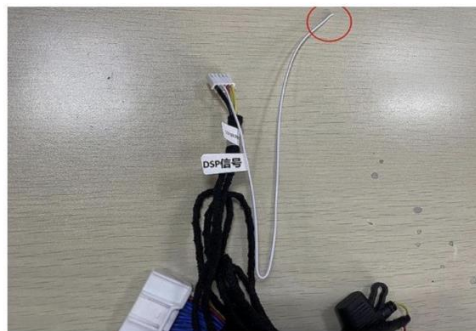
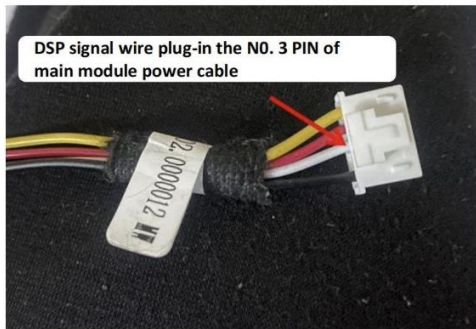
## Connection



Connect all plugs and cables



## DSP Wire Connection



DSP signal wire plug-in the NO. 3 PIN of main module power cable

Other side connect to the car DSP

After Installation



This device complies with Part 15 of the FCC Rules. Operation is subject to the following two conditions: (1) this device may not cause harmful interference, and (2) this device must accept any interference received, including interference that may cause undesired operation.

Changes or modifications to this unit not expressly approved by the party responsible for compliance could void the user's authority to operate the equipment.

NOTE: This equipment has been tested and found to comply with the limits for a Class B digital device, pursuant to Part 15 of the FCC Rules. These limits are designed to provide reasonable protection against harmful interference in a residential installation. This equipment generates, uses and can radiate radio frequency energy and, if not installed and used in accordance with the instructions, may cause harmful interference to radio communications. However, there is no guarantee that interference will not occur in a particular installation. If this equipment does cause harmful interference to radio or television reception, which can be determined by turning the equipment off and on, the user is encouraged to try to correct the interference by one or more of the following measures:

- Reorient or relocate the receiving antenna.
- Increase the separation between the equipment and receiver.
- Connect the equipment into an outlet on a circuit different from that to which the receiver is connected.
- Consult the dealer or an experienced radio/TV technician for help.

This device and its antenna(s) must not be co-located or operation in conjunction with any other antenna or transmitter.

#### Radiation Exposure Statement

To maintain compliance with FCC's RF Exposure guidelines, This equipment should be installed and operated with minimum distance of 0cm from your body.