

Company Name

Shenzhen Haoyi Optoelectronic Technology Co., Ltd.

Company address

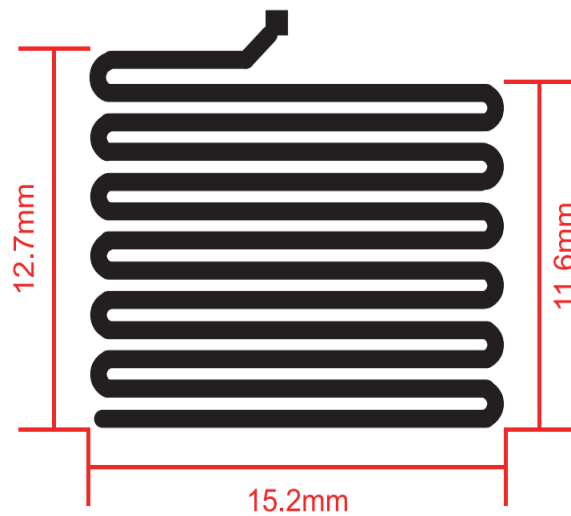
813J, Shatoujiao Construction Building, No. 112, Sha Shen Road, Tianxin Community, Shatoujiao Street, Yantian District, Shenzhen, Guangdong, China

Applications

※Bluetooth Home RF※

ISM band 433MHz applications

1. Dimensions



2. Specifications

number	Item	Specifications
1	Working Central Frequency	433MHz
2	Band Width	433MHz
3	Gain	0dBi
4	VSWR	≤ 2.0
5	Antenna type	PCB antenna
6	Azimuth Beam width	Omni - directional
7	Impedance	50ohm
8	Modulation mode	ASK