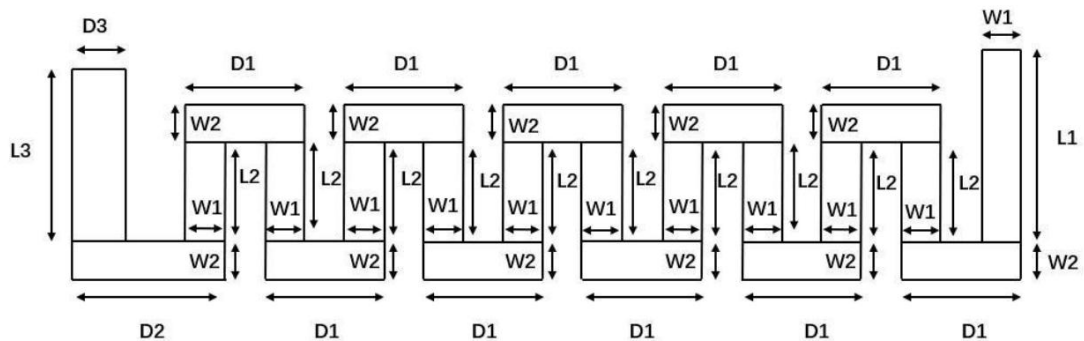


Antenna spec

1. Antenna Description:

Antenna type	PCB antenna
Model	PDT-002
Frequency range	2400MHz~2480MHz
Manufacturer	DONGGUANG XIAOKE INDUSTRIES.CO.,LTD
Address	NO.227,DONGCHENG SECTION GUANDONG ROAD, DONGCHENG STREET, DONGGUAN CITY,CHINA

2. Antenna Photo:



Antenna Dimensions

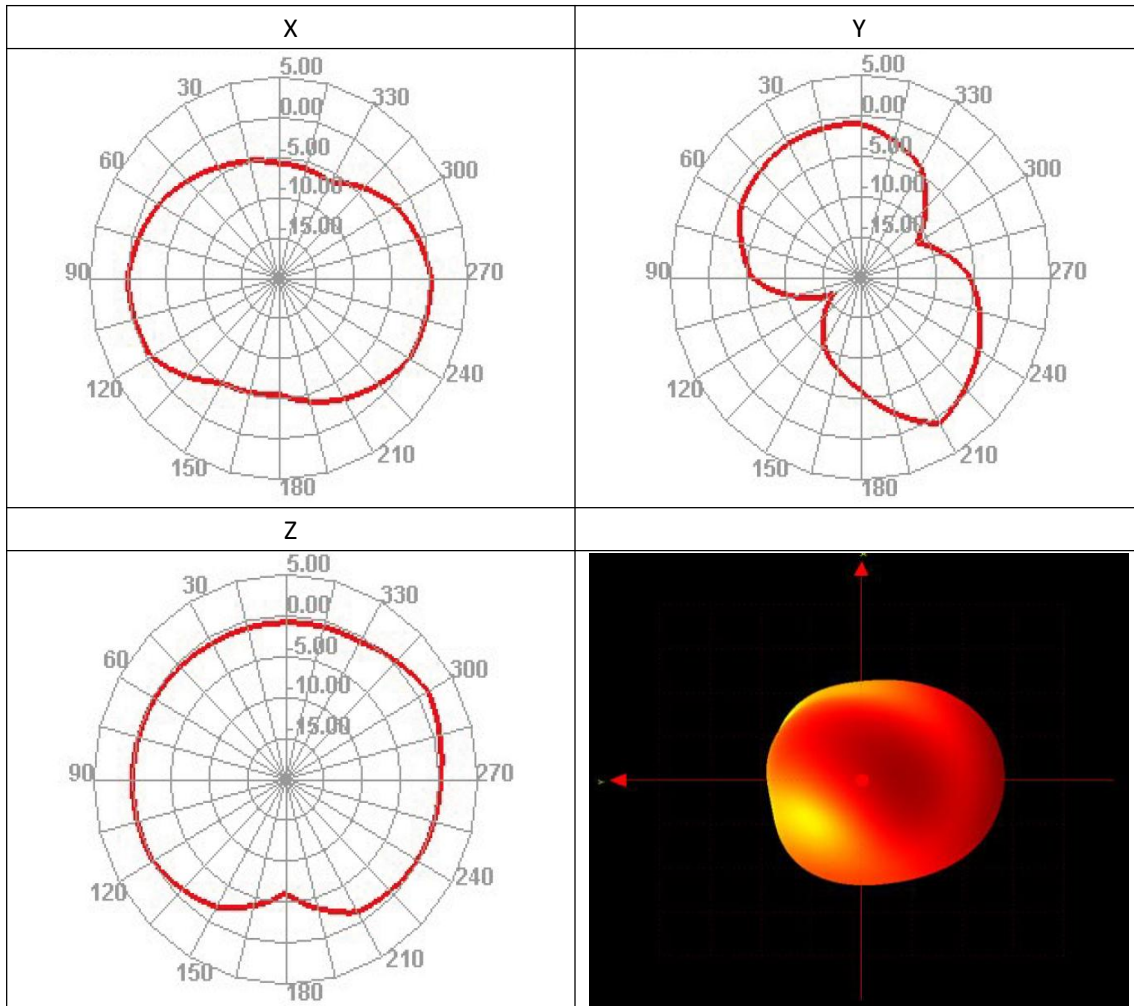
L1	2.15 mm
L2	1.20 mm
L3	1.95 mm
W1	0.35 mm
W2	0.35 mm
D1	1.25 mm
D2	1.65 mm
D3	0.50 mm

3. Antenna Efficiency and Gain:

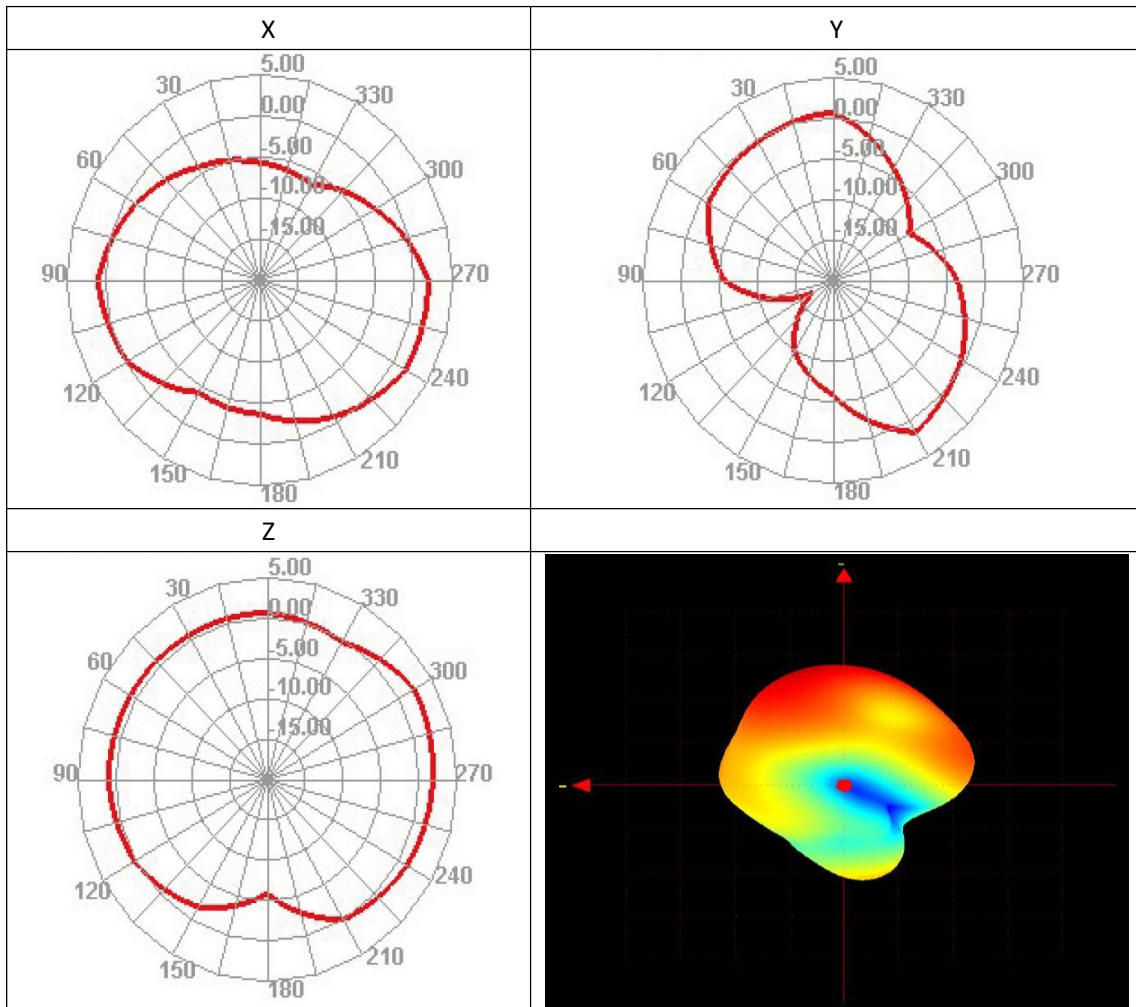
Frequency(MHz)	2400	2440	2480
Efficiency (%)	58.27	58.82	59.73
PEAK Gain(dBi)	0.62	0.71	0.76

4. Radiation Pattern:

2400MHz



2440MHz



2480MHz

