

JUSAKA

WELCOME GUIDE

Wireless Car Charger
CB4005

support@optiservi.com
support@cs24hours.com

◀01▶

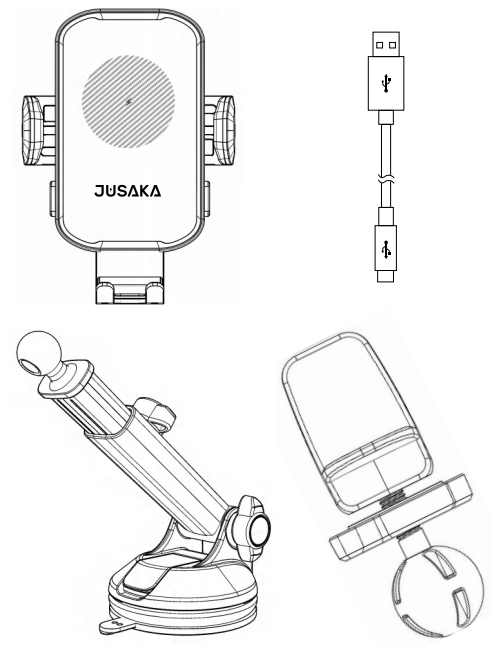
User Manual



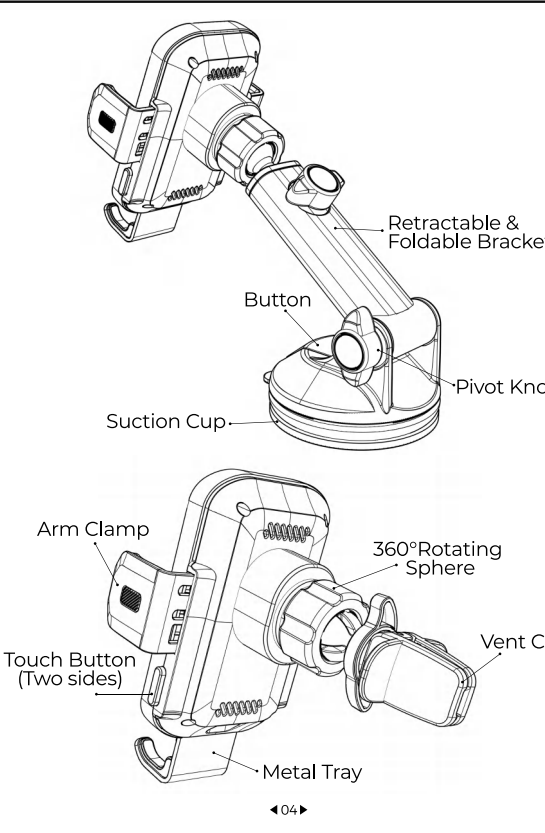
Thank you for choosing this product.
Please read the instructions carefully before using!

◀02▶

PACKAGE CONTENT



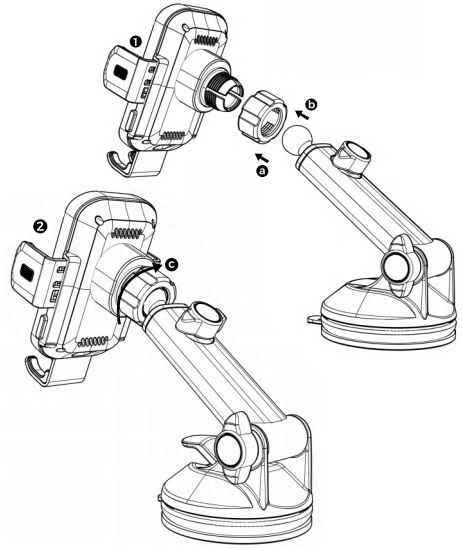
◀03▶



◀04▶

INSTRUCTIONS FOR USE

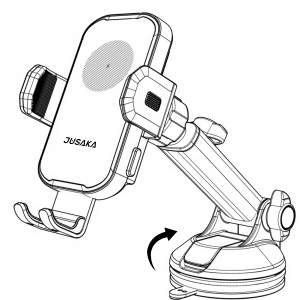
1.Assemble charger.



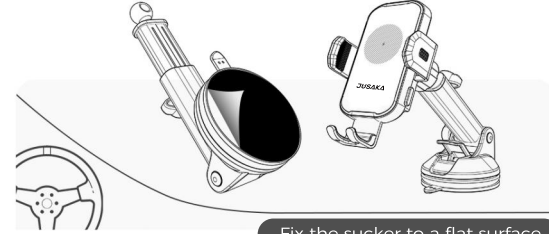
- a. Put the nut to the ball head.
- b. Install wireless charger pad into the ball head.
- c.Tighten the nut.

◀05▶

2.Pull the latch up.



3.Remove the sticker from the suction cup and secure it to the dashboard or windshield as needed. Before pressing the lock, press the sucker down to make the sucker stick to the adhesive surface.
Note: Before installation, please ensure that the installation surface is flat and clean.



Fix the sucker to a flat surface

◀06▶

4.Press down the edge of the sucker with both hands to make the sucker stick to the adhesive surface.



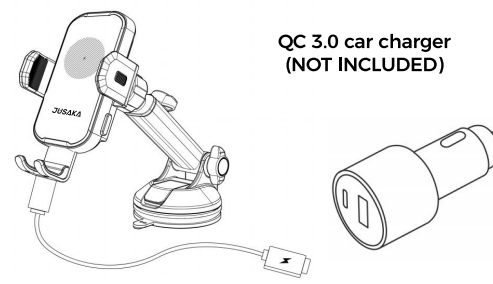
5.Press the locking buckle on the suction cup base.



6.Connect the wireless charger to the power supply inside the car.

◀07▶

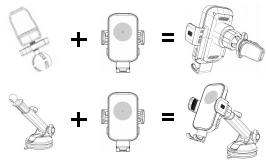
QC 3.0 car charger (NOT INCLUDED)



How to make it work well?

- Use the cable came with the package to connect the power supply.
- Please use QC3.0 car charger as its required source for fast charging mode.
- The suction cup is suitable for smooth surfaces with no slope & dust, such as dashboards and glass, etc.

2-in-1 Installation
Clip to the vent



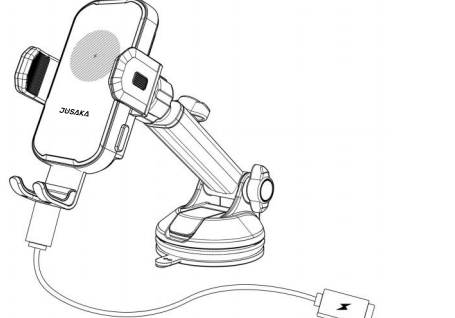
Install to the dashboard or windshield

AUTO CLAMPING FUNCTION

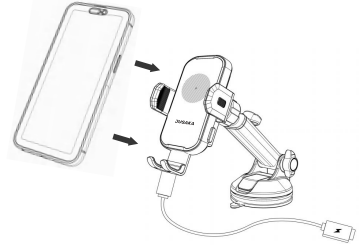
- After connecting to the power and pressing the button on side, the arm clamp would open.

◀08▶

2.Placing the phone and the charger will automatically clamp and align to the charging area.



SPECIFICATIONS



◀09▶

INDICATOR

POWER ON	Blue light turns on
CHARGING	Blue light turns off
STANDBY	Blue light stays on

WIDE COMPATIBILITY

15W / 10W/7.5W Fast Charging

Note: Fast Charging mode requires QC3.0 Car charger (NOT INCLUDED).

15W: 【LG】 G8,G7,V30,V35,V40,V50, G2, G2, G3, G6, Lucid2(VS8770), Optimus F5(AS870), Vu 3, Spectrum 2, Optimus G Pro, Optimus Vu II, Optimus LTE 2 【Google】 NEXUS 4/5/6, Google Pixel 8, Pixel 7, Pixel 7 Pro ;

10W: [Samsung] S24 Ultra, S24+, S24, S23 Ultra, S22 Ultra, S22+, S22, S21 Ultra 5G, S21+, S21, S21 FE, S20, S10, S9, S9+, S8, S8+, S7, S7 Edge, S6 Edge Plus, Note 10 10+, Note 9, Note 8, Note 7, Note 5, Note FE, W2017(SM-W2017), Kelly(SM-W2018), Galaxy S Lite (SM-G8750) and more;

7.5W: 【iPhone】 iPhone 15, iPhone 15 Pro, iPhone15 Pro max, iPhone 14, iPhone 14 Pro, iPhone14 Pro Max, iPhone 14Plus, iPhone 13, iPhone13 Pro, iPhone 13 Pro Max, iPhone 13Mini, iPhone 12, iPhone 12 Pro,iPhone 12 Pro Max,iPhone 12 Mini, iPhone 11, iPhone 11 Pro,iPhone 11 Pro Max, iPhoneXS, iPhone XS MAX, iPhone X, iPhone XR,

In addition to the above models of moible phones,but also compatible with other wireless charging devices.

WARRANTY CARD

Please feel free to contact us if you have any problems or suggestions with our products. We will provide you with free return and exchange services.

◀10▶

FCC WARNING

This device complies with part 15 of the FCC Rules. Operation is subject to the following two conditions:(1) This device may not cause harmful interference, and (2) this device must accept any interference received, including interference that may cause undesired operation.

Any Changes or modifications not expressly approved by the party responsible for compliance could void the user's authority to operate the equipment.

This equipment has been tested and found to comply with the limits for a Class B digital device, pursuant to part 15 of the FCC Rules. These limits are designed to provide reasonable protection against harmful interference in a residential installation. This equipment generates uses and can radiate radio frequency energy and, if not installed and used in accordance with the instructions, may cause harmful interference to radio communications. However, there is no guarantee that interference will not occur in a particular installation. If this equipment does cause harmful interference to radio or television reception, which can be determined by turning the equipment off and on, the user is encouraged to try to correct the interference by one or more of the following measures:

- Reorient or relocate the receiving antenna.
- Increase the separation between the equipment and receiver.
- Connect the equipment into an outlet on a circuit different from that to which the receiver is connected.
- Consult the dealer or an experienced radio/TV technician for help.

FCC RF exposure statement:
The equipment complies with FCC radiation exposure limits set forth for an uncontrolled environment. This equipment should be installed and operated with minimum distance between 20cm the radiator your body.

◀10▶