

# Antenna specification

Model:BD002

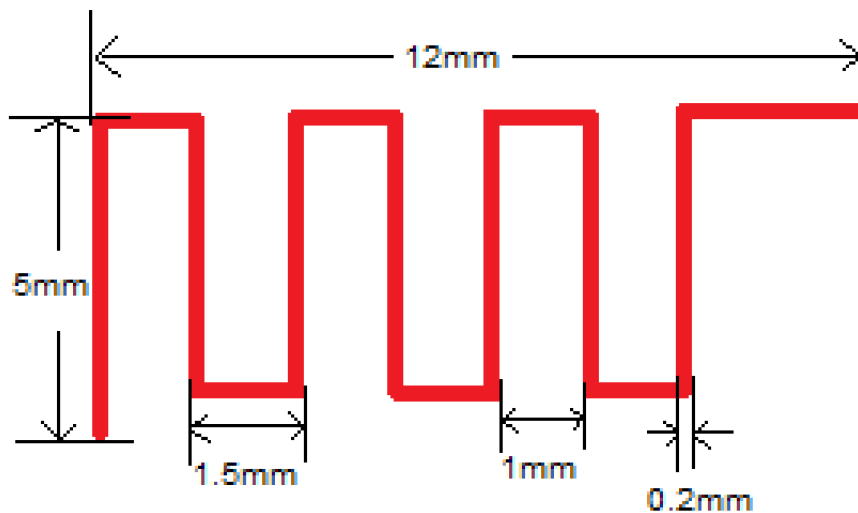
Applicant's Name: BADI TOYS FACTORY

Address: No.1, Lane 13, Longtian Community, Guangyi Street, Chenghai District, Shantou, China

Manufacture's Company: BADI TOYS FACTORY

Address: No.1, Lane 13, Longtian Community, Guangyi Street, Chenghai District, Shantou, China

Antenna structure:



# Product Specification

## A. Electrical Characteristics

**Frequency 2400MHz ~2500MHz**

**VSWR <3.0**

**Efficiency >30%**

**Impedance 50 Ohm**

**Polarization Line**

**Gain 0.17dBi**

**TYPE: PCB**

## B. Material & Mechanical Characteristics

**Material of Radiator Cu**

**Cable Type 1.0 19P**

**Connector Type : NO**

**Dimension**

## C. Environmental

**Operation Temperature - 30 °C ~ + 80 °C**

**Storage Temperature - 30 °C ~ + 85 °C**

## Test Equipment & Conditions

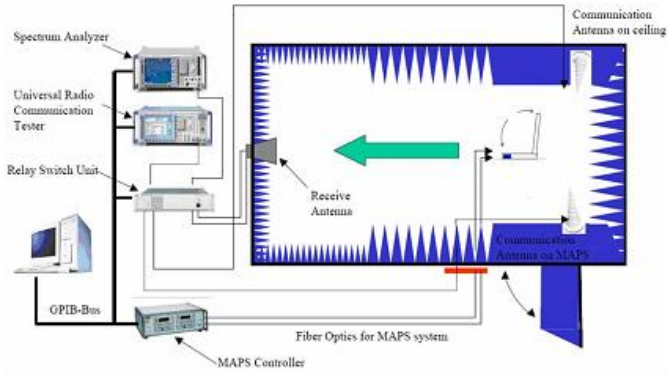
### 1. Network Analyzers :

Agilent 8753D 5071B

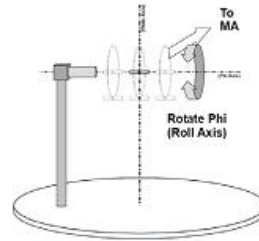
### 2. Communications Test Set:

Agilent E5515C

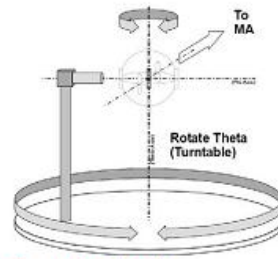
### 3. 3D Chamber Test System Efficiency & Gain



(Testing by 3D anechoic chamber)



Phi axis test

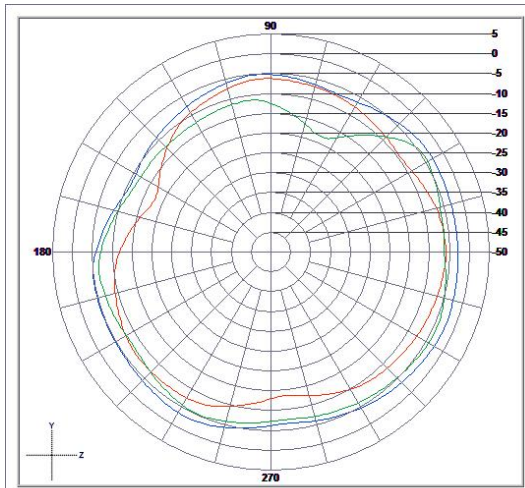


Theta axis test

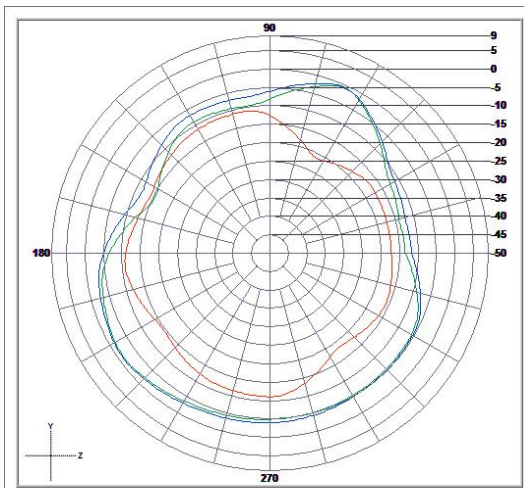
### Efficiency & Gain

2.405	-2.17
2.440	0.12
2.475	0.17

### Radiation Pattern:



	Vertical	Horizontal	Total
Avg. Gain	-8.4	-6.99	-4.63
Peak Gain	-5.48	-3.77	-2.17



	Vertical	Horizontal	Total
Avg. Gain	-13.34	-5.06	-4.46
Peak Gain	-10.3	0.09	0.12

