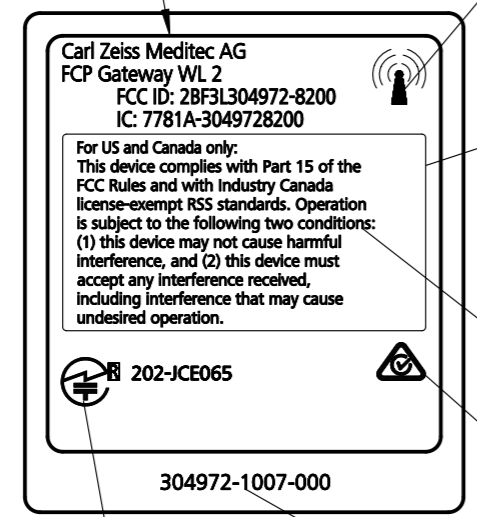


Refer to protection notice ISO 16016 / copyright reserved

Model Name: 305992-8055-000\_01-LOCAL Version: 08

Confidential

umlaufend Schnittkante  
circumferential cutting



Bildzeichen nach  
IEC/TR 60878:2003-Nr.5140 oder  
IEC 60417:2002 DB-Nr.5140  
symbol according to  
IEC/TR 60878:2003-no.5140 or  
IEC 60417:2002 DB-no.5140

Strichstärke 0,3  
umlaufend 1 mm Abstand  
zur innenliegenden Schrift zur ober und unter

Line width 0.3  
circumferential, 1 mm distance  
to the interior text to top and bottom

Schrift CZN 14 - Regular - 1,5  
font CZN 14 - Regular - 1.5

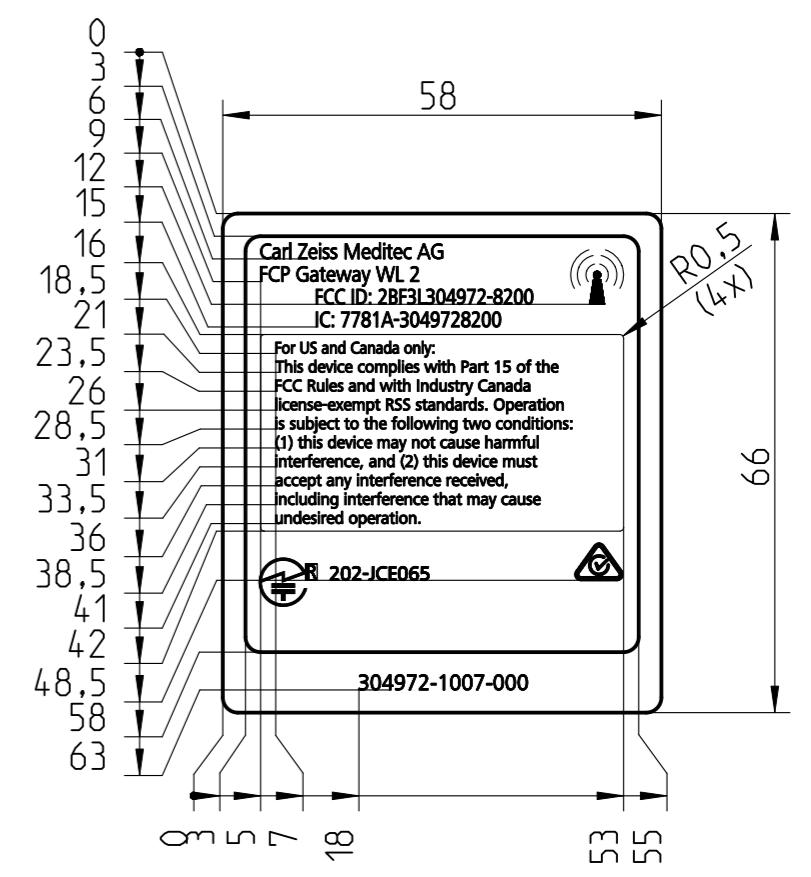
Bildzeichen nach 304972-1005-000\_FPR-01-002  
höhe / height 5 mm  
symbol according to 304972-1005-000\_FPR-01-

Schrift mittig angeordnet  
text centered

MIC-Bildzeichen nach  
CETECOM ICT TCB  
Japan Instructions vom 01.2007  
MIC-symbol according to  
CETECOM ICT TCB  
Japan Instructions from 01.2007  
Höhe / height 5.5 mm

alle nicht bemaßten Radien = R2  
all non-dimensioned radii = R2

alle nicht gekennzeichneten Schriften: CZN 14 - Regular - 2  
lasergraviert, schwarz  
all non-marked fonts: CZN 14 - Regular - 2  
laser-engraved, black



Bildliche Darstellung der Schriftzüge, Symbole  
und Bildzeichen entsprechen nicht dem Original  
visual reproduction of the fonts, symbols and  
figurative signs does not correspond to the original

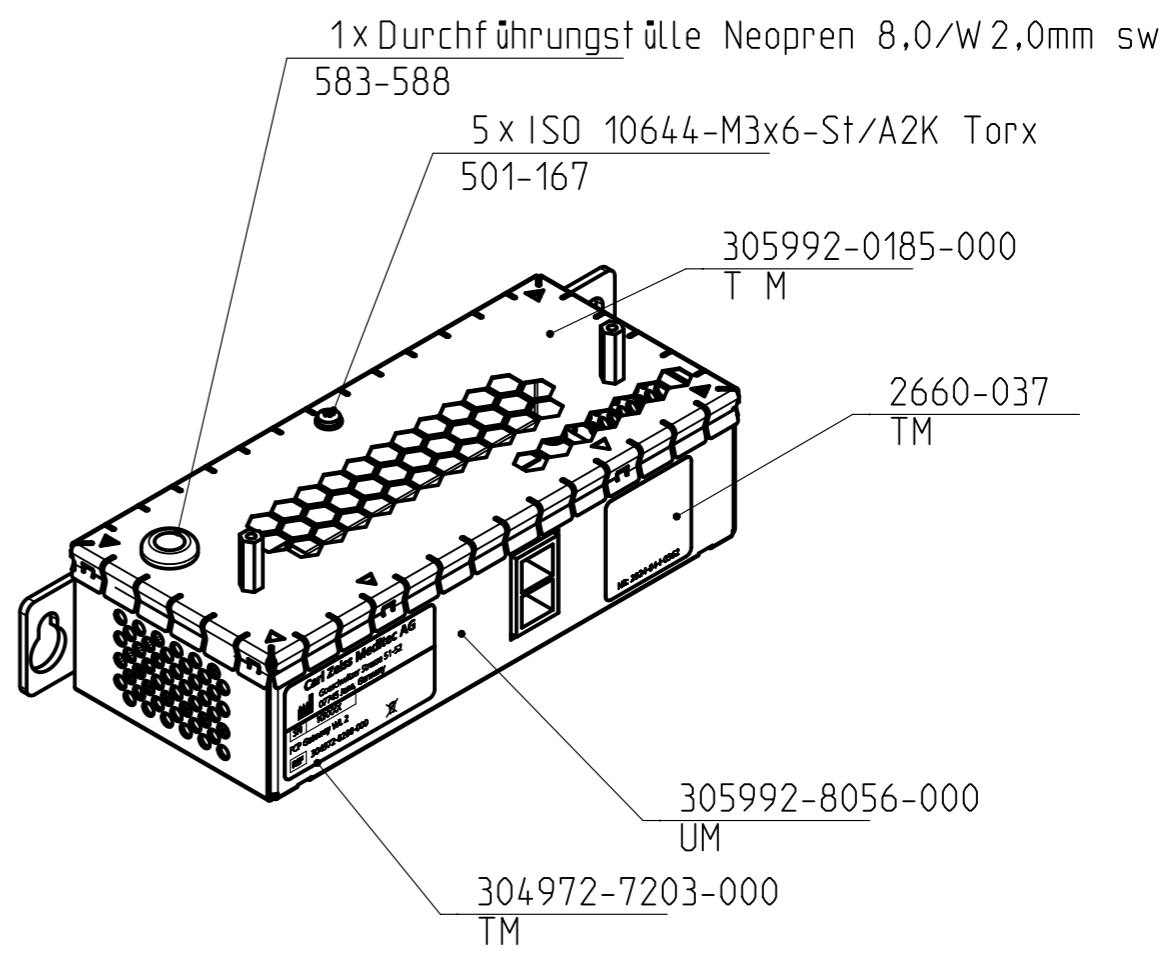
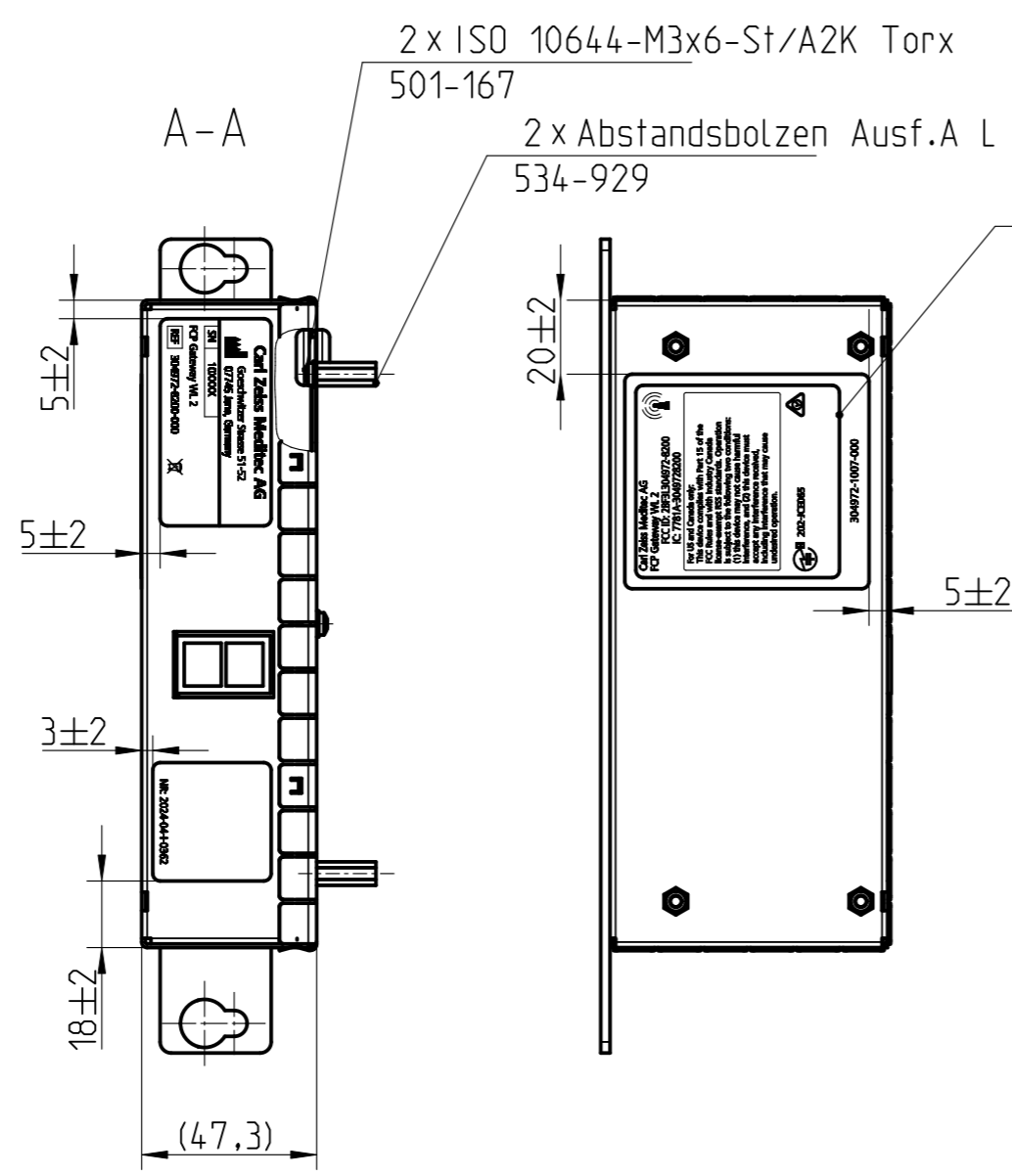
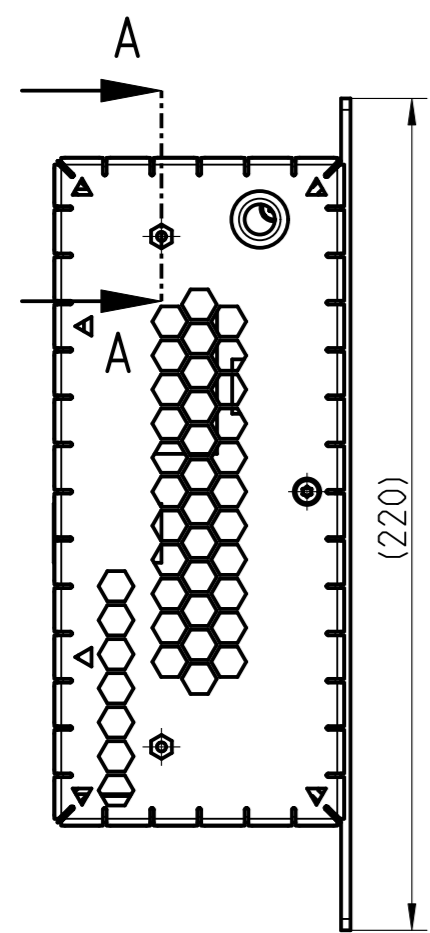
*Nur zur Information - Unterlage unterliegt nicht dem Änderungsdienst!*  
*Arbeitsstand vom: 25-Jun-24. / will be changed without notice!*  
*For information purposes only - contents*  
*output date: 25-Jun-24.*

		Scale 1:2		General tolerances ISO 2768-mH:1989 Size ISO 14405 ©																								
<table border="1"> <tr><td>Drawn</td><td>12.04.2024</td><td>NIEDEM</td></tr> <tr><td>Changed</td><td>.</td><td>.</td></tr> <tr><td>Checked</td><td>.</td><td>.</td></tr> <tr><td>Techn.</td><td>.</td><td>.</td></tr> <tr><td>GS</td><td>.</td><td>.</td></tr> <tr><td>Released</td><td>.</td><td>.</td></tr> <tr><td>Req. GS</td><td>.</td><td>.</td></tr> <tr><td>Change number</td><td>.</td><td>.</td></tr> </table>	Drawn	12.04.2024	NIEDEM	Changed	.	.	Checked	.	.	Techn.	.	.	GS	.	.	Released	.	.	Req. GS	.	.	Change number	.	.	Basic material -		Mass ..	
Drawn	12.04.2024	NIEDEM																										
Changed	.	.																										
Checked	.	.																										
Techn.	.	.																										
GS	.	.																										
Released	.	.																										
Req. GS	.	.																										
Change number	.	.																										
Material number <b>305992-8055-000</b>		Project class, Component (level/ counter/ character) P30200006 U / / M																										
Description <b>EMV-Box, FBG Gateway, kpl.</b>																												
Type of supplementary document .																												
<b>ZEISS</b>		Document no. 305992-8055-000/01	Doc. type FUM	Doc. part 001																								
		Version 08	Sh. 1	Size A3																								
		of 2																										

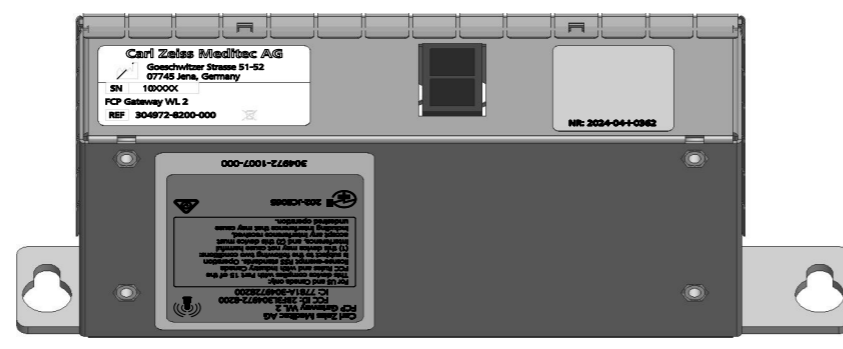
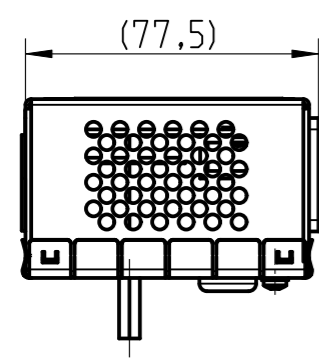
Refer to protection notice ISO 16016 / copyright reserved

Model Name: 305992-8055-000-01-LOCAL Version: 08

Confidential



lose beigelegt/ enclosed:  
501-167 ISO 10644-M3 x 6-St/A2K Torx (4x)



Nur zur Information - Unterlage unterliegt nicht dem Änderungsdienst!  
Arbeitsstand vom: 25-Jun-24. / will be changed without notice!  
For information purposes only - contents will be changed without notice!  
Output date: 25-Jun-24.

Drw.		12.04.2024	NIEDEM	Basic material		Scale 1:2		+0.50 -0.05 +0.05 -0.20 ISO 13715		General tolerances ISO 2768-mH:1989 Size ISO 14405 ©	
Changed		12.04.2024	XSSHE	Material number		305992-8055-000		Project class, Component (level/ counter/ character)		P30200006 U / / M	
Checked				Description		EMC-box, PCB gateway, complete		Mass		0.503 kg	
GS				Type of supplementary document		10165182		Req. GS		no	
Released				Change number		10165182		Doc. type		FUM	
ZEISS		Document no.		305992-8055-000/01		Doc. part		001		Version 08	
								Sh. 2 of 2		Size A3	