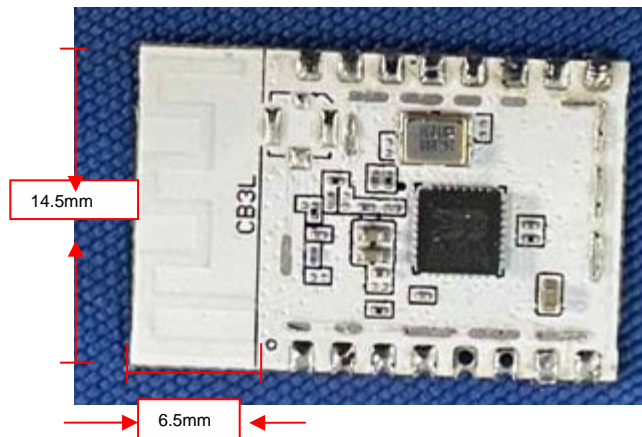


| | |
|-----------------------------|--|
| Applicant | : Bridgelux, Inc. |
| Address | : 46410 Fremont Boulevard, Fremont, CA 94538 USA |
| Model/Type reference | : BXDR-PS-42BS-U411T-01-A |
| Power supply: | : 120-277V, 50/60Hz |
| Modulation: | : 802.11b: CCK/QPSK/BPSK 802.11g/n: BPSK/QPSK/16QAM/64QAM |
| Operation frequency: | : 2412 MHz to 2462 MHz for 802.11b/g/n(HT20) |
| Antenna type: | : PCB Antenna |

1. Sample photo



2. Project brief

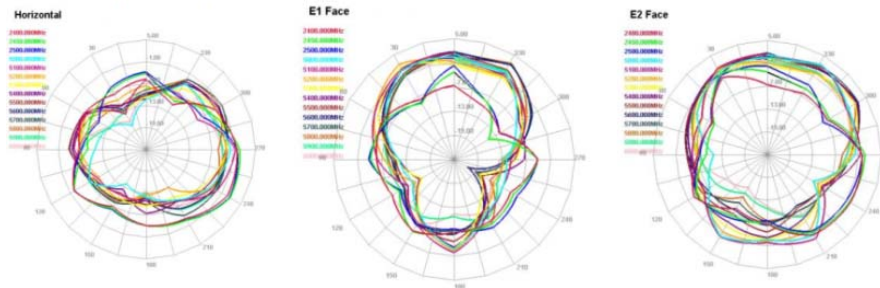
| | | |
|---|-----------------------------------|-------------------|
| 1 | Operating band | WIFI:2.4G |
| 2 | Frequency band | WIFI:2400-2500Mhz |
| 3 | Antenna type | WIFI:PCB Antenna |
| 4 | Material and implementation shape | PCB |

Results Summary (2D/3D Radiation Pattern/Efficiency)

Overview WIFI

| Frequency (MHz) | Gain(dB) | Efficiency(dB) | Efficiency(%) |
|-----------------|----------|----------------|---------------|
| 2400 | -0.66 | -6.51 | 14.067 |
| 2410 | -3.50 | -4.36 | 12.655 |
| 2420 | -4.67 | -4.16 | 13.718 |
| 2430 | -3.83 | -3.56 | 12.788 |
| 2440 | -4.18 | -4.86 | 11.182 |
| 2450 | -2.31 | -4.74 | 12.012 |
| 2460 | -2.62 | -5.01 | 13.199 |
| 2470 | 0.00 | -6.68 | 11.703 |
| 2480 | -4.61 | -6.80 | 15.996 |
| 2490 | -3.12 | -5.56 | 13.025 |
| 2500 | -3.41 | -5.88 | 10.707 |

WiFi天线辐射方向图。



3. SWR

