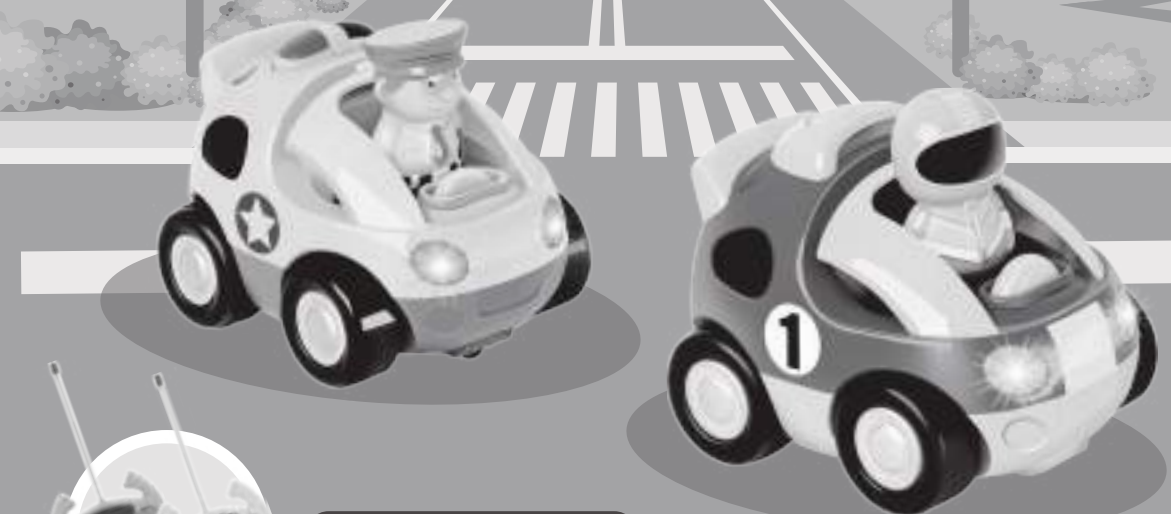


Prextex®

2-IN-1 CARTOON POLICE AND RACE CAR SET

ENSEMBLE POLICE ET VOITURE DE COURSE 2 EN 1



18 Months+
18 Mois+

REMOTE CONTROL
TÉLÉCOMMANDE



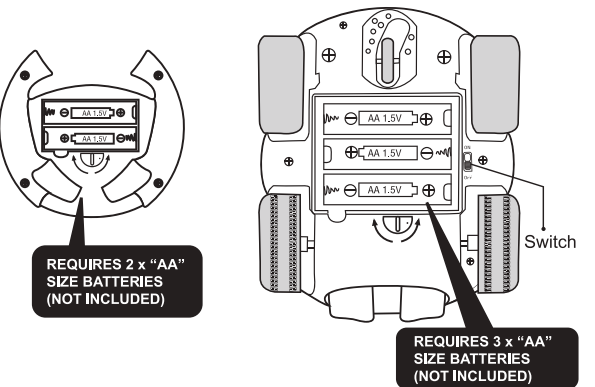
PRODUCT INCLUDES

★★ English ★★



- Includes 2 Vehicles: 1 Police Car with 1 Removable Police Man Action Figures and Remote Control; and 1 Racing Car with 1 Race Car Driver Figures and Remote Control.

BATTERY INSTALLATION

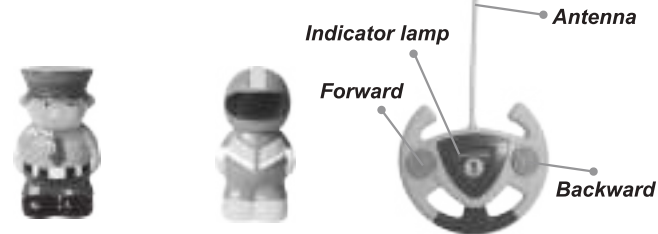


REQUIRES 2 x "AA" SIZE BATTERIES (NOT INCLUDED)

REQUIRES 3 x "AA" SIZE BATTERIES (NOT INCLUDED)

- Vehicles require 3AA batteries and remotes require 2AA batteries, batteries not included.

OPERATING THE CAR



- Prextex cartoon vehicles are the perfect introduction to radio controlled toys for young children and toddlers
- Each vehicle has a different frequency so both vehicles can be played with at once.
- The police makes a siren sound, while the racecar makes a sound that raves the engine

Distributed by perch Whele LLC, Wilmington, DE 19801, USA
Prextex and Perch and all related trademarks and logos are trademarks of Whele, LLC and its affiliates. © 2023. All rights reserved
Email us at cs+prextex@perchhq.com

Whele Acquisition Co, 2 c/o Global E-Commerce Experts
UK Address UK adresse: Unit 5, Mountpark, Wide Lane, Southampton SO18 2FA
NL Address NL adresse: Rijnlanderweg 766 Unit H, 2132 NM Hoofddorp, Netherlands

Made in Shantou, China



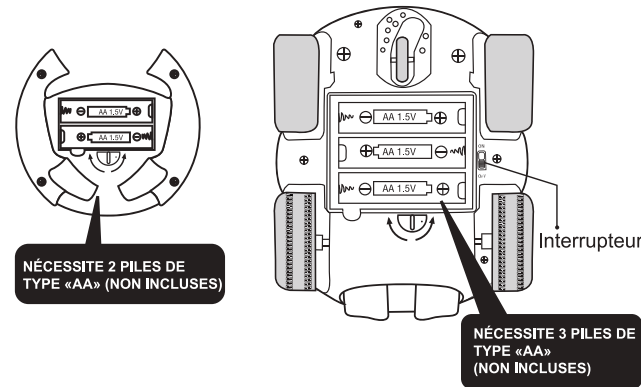
LE PRODUIT COMPREND

★★ Français ★★



- Comprend 2 véhicules: 1 voiture de police avec 1 figurine de policier amovible et une télécommande; et 1 voiture de course avec 1 figurine de pilote de course et une télécommande.

INSTALLATION DE LA BATTERIE

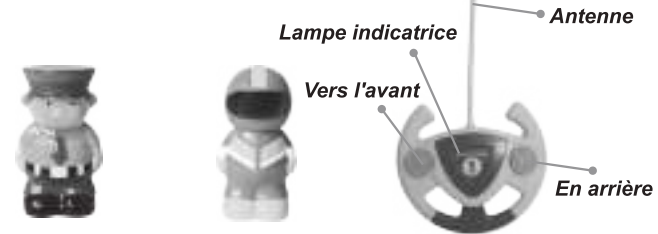


NÉCESSITE 2 PILES DE TYPE «AA» (NON INCLUSES)

NÉCESSITE 3 PILES DE TYPE «AA» (NON INCLUSES)

- Les véhicules nécessitent des piles 3AA et les télécommandes doivent être équipées de 2 piles AA, non incluses.

UTILISATION DE LA VOITURE



- Les véhicules jouets Prextex sont la représentation parfaite de jouets radiocommandés destinés aux jeunes enfants et les tout-petits.
- Chaque véhicule fonctionne avec une fréquence différente, ce qui permet de jouer avec les deux véhicules en même temps.
- La voiture de police fait actionner sa sirène, tandis que la voiture de course fait rugir son moteur.

Distributed by perch Whele LLC, Wilmington, DE 19801, USA
Prextex et Perch et toutes les marques et logos associés sont des marques de Whele, LLC et de ses sociétés affiliées. © 2023. Tous droits réservés
Envoyez-nous un courriel à cs+prextex@perchhq.com

Whele Acquisition Co, 2 c/o Global E-Commerce Experts
UK Address UK adresse: Unit 5, Mountpark, Wide Lane, Southampton SO18 2FA
NL Address NL adresse: Rijnlanderweg 766 Unit H, 2132 NM Hoofddorp, Netherlands

Fabriqué à Shantou, Chine



This device complies with part 15 of the FCC Rules. Operation is subject to the following two conditions: (1) This device may not cause harmful interference, and (2) this device must accept any interference received, including interference that may cause undesired operation.

Any Changes or modifications not expressly approved by the party responsible for compliance could void the user's authority to operate the equipment.

Note: This equipment has been tested and found to comply with the limits for a Class B digital device, pursuant to part 15 of the FCC Rules. These limits are designed to provide reasonable protection against harmful interference in a residential installation. This equipment generates uses and can radiate radio frequency energy and, if not installed and used in accordance with the instructions, may cause harmful interference to radio communications. However, there is no guarantee that interference will not occur in a particular installation. If this equipment does cause harmful interference to radio or television reception, which can be determined by turning the equipment off and on, the user is encouraged to try to correct the interference by one or more of the following measures:

- Reorient or relocate the receiving antenna.
- Increase the separation between the equipment and receiver.
- Connect the equipment into an outlet on a circuit different from that to which the receiver is connected.
- Consult the dealer or an experienced radio/TV technician for help.

RF warning for Portable device: The device has been evaluated to meet general RF exposure requirement. The device can be used in portable exposure condition without restriction.