



Antenna Specification

Manufacture: Shenzhen JINGSONG Technology Co., LTD

Product Name: SC155-WQ3 Antenna

Antenna Type: FPC Antenna

Test Date: 2023.08.21

Tested by: 吴锡春/Xichun Wu

Approved by: Licco

Content

1.General Description.....	1
2.Test Configurations	2
2.1 Test Environment.....	2
2.2 Test Equipment	2
2.3 Test Principle.....	2
3.Test Results.....	3
3.1 Gain and Efficiency.....	3
3.2 Radiation Pattern.....	4
4.Antenna Dimensions	4
5.EUT Photo.....	5
6.Test Setup Photo.....	6



1.General Description

Manufacturer	Shenzhen JINGSONG Technology Co., LTD
Address	402, Building G, Haoguanjia Enterprise Park, Xiaolong Road, Dalang Street, Longhua District, Shenzhen, China
Test Location	402, Building G, Haoguanjia Enterprise Park, Xiaolong Road, Dalang Street, Longhua District, Shenzhen, China
Product Name	SC155-WQ3 Antenna
Product model	SC155-WQ3 Antenna
Antenna Type	FPC Antenna
Test Items	Gain; Efficiency; Radiation Pattern
Test Frequency	2400-2500MHz
Test Standard	ANSI/IEEE Std 149-1979

2. Test Configurations

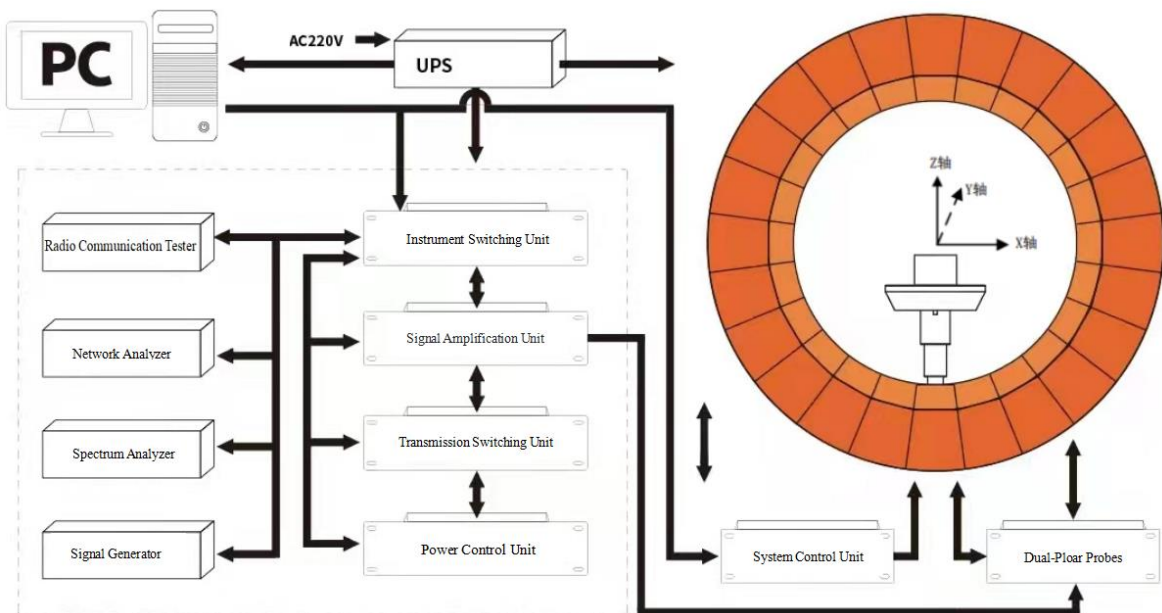
2.1 Test Environment

Temperature (°C)	25
Humidity (%RH)	60
Atmospheric Pressure (kPa)	100.5

2.2 Test Equipment

Test System	TEM 24 Multi-probe Microwave Chamber
Test Instrument	Agilent E5071B

2.3 Test Principle



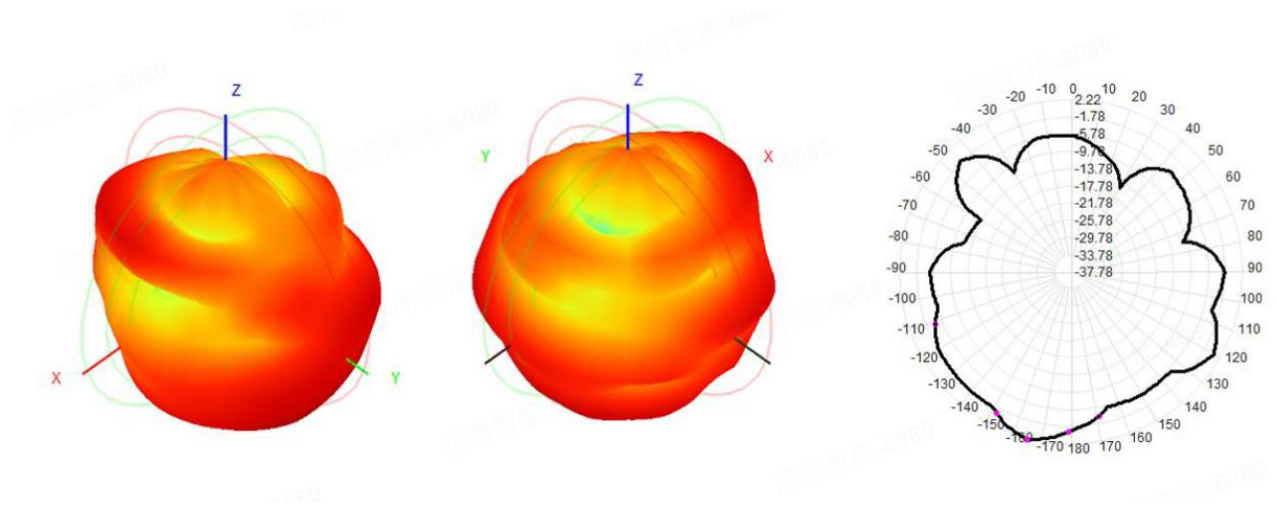


3.Test Results

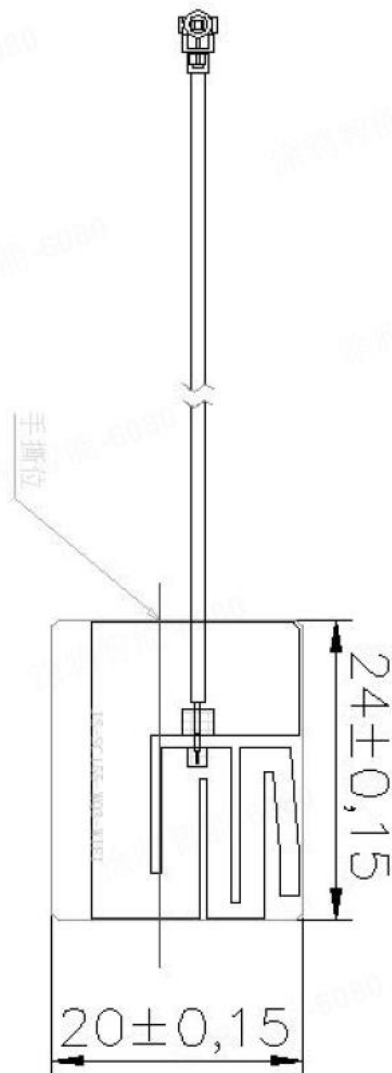
3.1 Gain and Efficiency

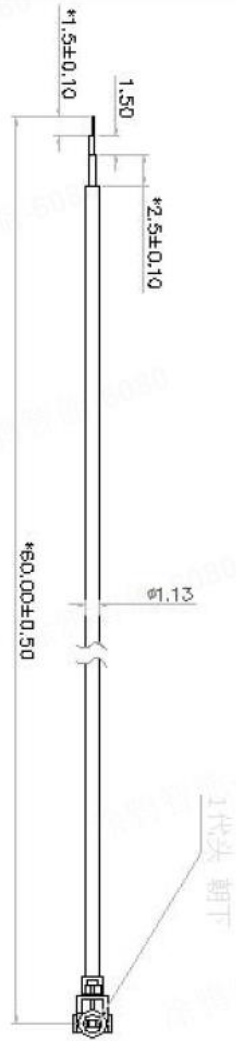
Freq(MHz)	Efficiency (%)	Gain (dBi)
2400	52.3	0.45
2410	52.6	0.44
2420	51.8	0.42
2430	52.6	0.34
2440	53.4	0.48
2450	51.8	0.34
2460	52.9	0.35
2470	53.1	0.25
2480	52.6	0.33

3.2 Radiation Pattern

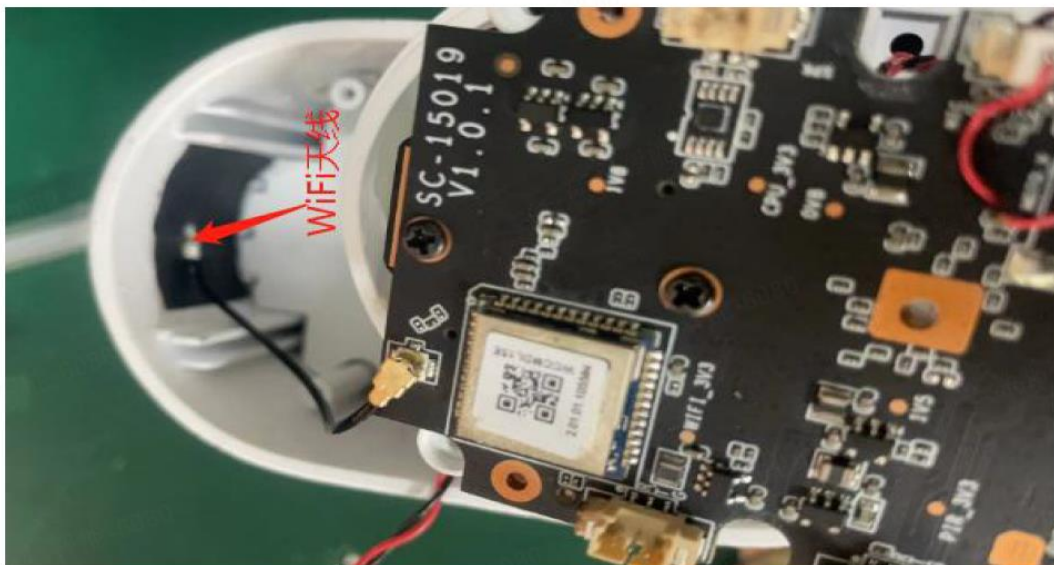


4. Antenna Dimensions





5.EUT Photo



6.Test Setup Photo

