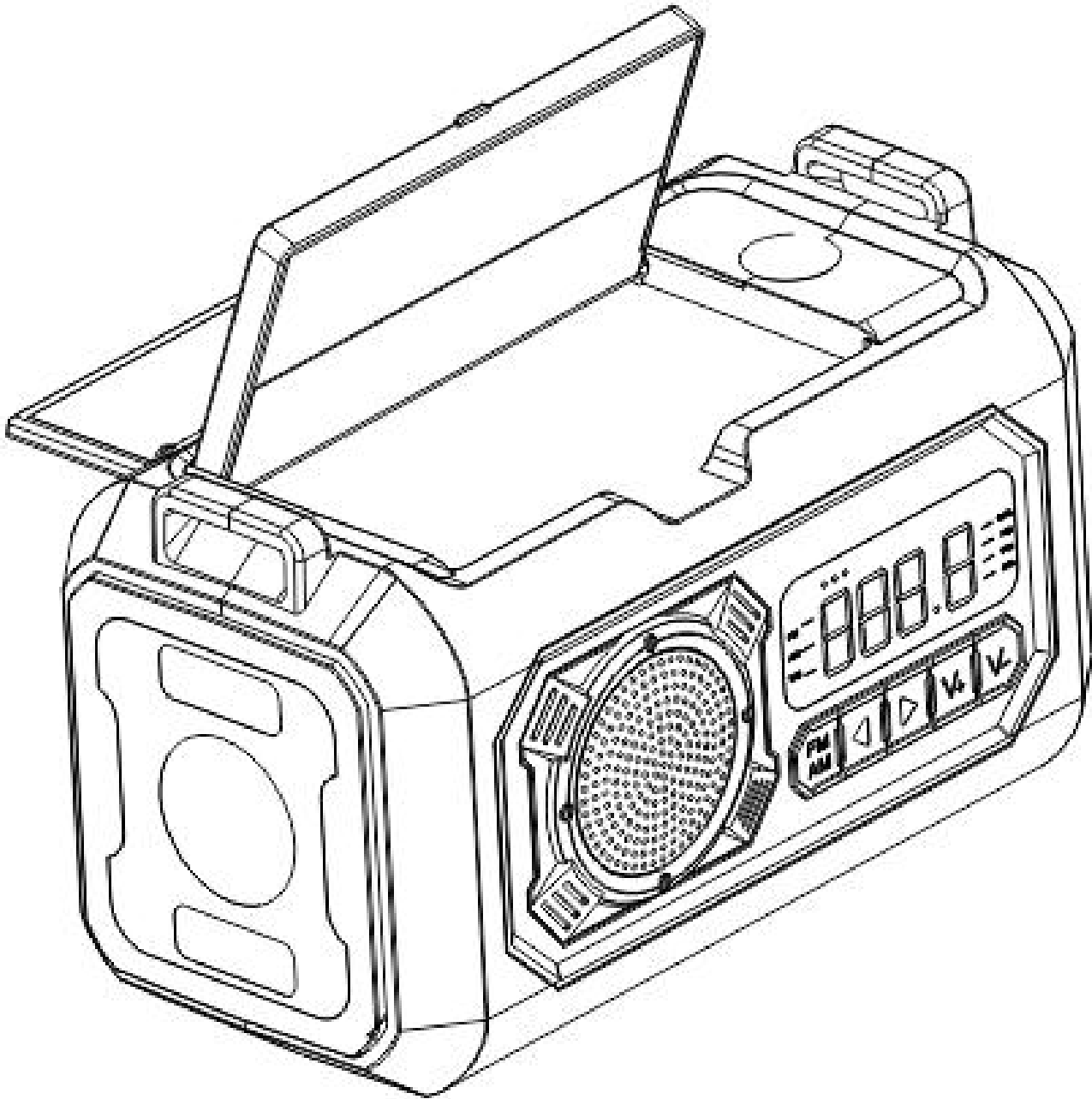
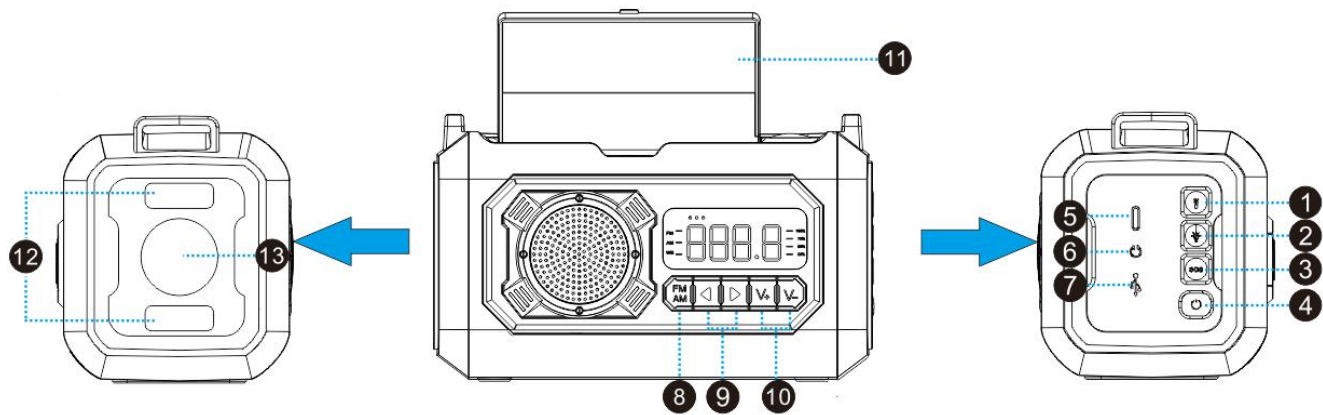


Outdoor mobile power lighting radio (H17)



Thank you for choosing our company's product. This product combines high precision and cutting-edge technology, ensuring stable quality and superior performance. In order to facilitate your use, please read the instructions carefully and follow the steps outlined. If you encounter any problems during use, please report them to us promptly. We are always ready to serve you.

Button and Function Introduction:



Instructions for use Notes:

Step 1: Please fully charge the radio first (Please note: the radio you received is not fully charged);

Step 2: Turn on the radio switch by the side button;

Step 3: Use the radio, our radio has two channel search modes: automatic search and manual search.

[Auto Search]

- 1) Please press and hold the ⑧ AM/FM button for 5s to perform the auto search operation for all channels (Note: Don't touch any button before completing the auto search for all channels, otherwise the searched channels are incomplete, and it will automatically jump to the 1st channel to start broadcasting after the search is completed);
- 2) After completing the auto search operation, the radio will automatically save all the channels that can be searched in your area, press the ⑨ channel switch button briefly to listen to it (Note: If you do not enable the auto search function, press ⑨ briefly, the screen will display Err and there will be no broadcasting sound);
- 3) AM/FM/WB three frequency bands need to short press ⑧ AM/FM button to switch to the corresponding frequency band for auto search, i.e. three frequency bands need to complete the auto search operation three times;

[Manual Search]

- 1) Please press and hold the ⑨ Channel Switch button, and let go when you find the channel you want, so that you can start broadcasting the channel you want;
- 2) Please note: When using manual search, if you have not auto searched all channels in advance, short press the ⑨ channel switch button is invalid, the screen will show Err, no broadcast, you can only long press the ⑨ channel switch button to realize the broadcast; if you have auto searched all channels in advance, short press will skip the channels with no signal, and broadcast the channels with signal.

Restore Factory Settings button: In the power on state, press and hold the flashlight and SOS button at the same time until the radio makes a "Dong" sound, then all the channels saved in the previous auto-search will be gone.

Note: Since each environment can be searched for different signal channels, it is better to auto search for channels again when you change to a place farther away.

- ① **Reading light button:** Press this button to turn on the reading light ⑪, press it again to turn off the reading light.
- ② **Flashlight high beam and low beam control button:** Press the button for the first time to turn on the low beam ⑫; press it again to turn off the low beam and turn on the high beam ⑬; press it a third time to turn on both the high and low beams at the same time; press it a fourth time to turn off both beams.
- ③ **SOS button:** Press and hold this button for 2 seconds to activate the alarm and flash the flashlight light. Press it lightly to turn off the SOS alarm.
- ④ **Radio power button:** Press and hold this button for 2 seconds to turn on the radio; press and hold for 2 seconds

again to turn off the radio.

⑤ **USB output interface:** Connect a USB charging cable here to charge devices such as phones and headphones.

(Note: Please recharge the radio at least once every three months.)

⑥ **Headphone interface:** Please connect headphones to use.

⑦ **USB charging interface:** Please connect a 5V charger to the USB charging cable to charge the device.

⑧ **FM/AM/WB channel switching button:** Press this button lightly to select the desired channel. The corresponding channel indicator light will appear on the display screen. The channel with the lit-up indicator light is the one you have selected. After selecting the channel, press this button for 3 seconds, the radio will automatically search and save the frequency of signal. During the automatic search process, please pull out the telescopic antenna in advance to better receive signals.

NOAA Mode: lightly press ⑧ to switch to WB channel, long press 3 seconds to enter NOAA mode.

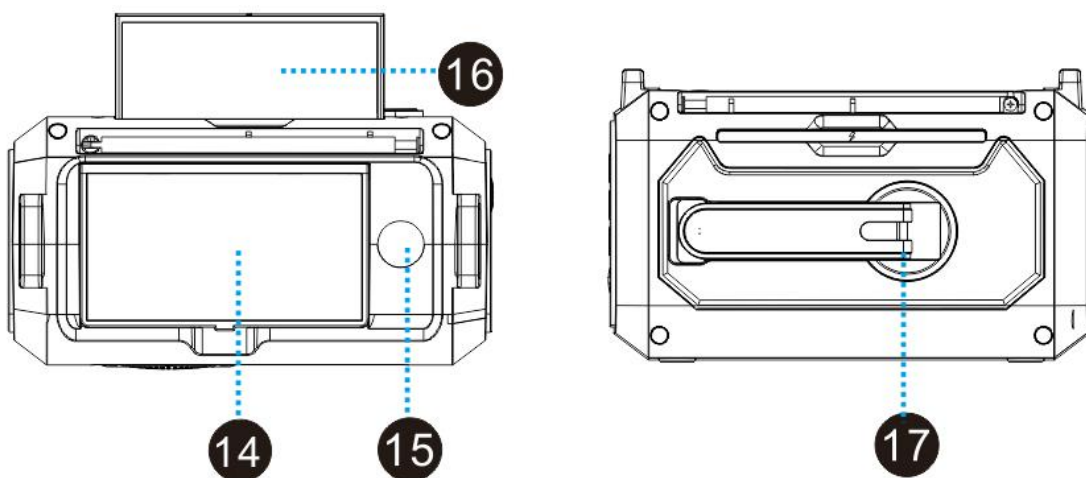
⑨ **Radio audio conversion:** Press the button lightly according to the instructions above the button, and switch the signal frequency saved by the automatic searches in the radio, and the frequency without signal will automatically skip. (Note: Please don't press any key when auto searching, otherwise it will interrupt the auto search and the searched frequency will be incomplete). After the auto search is finished, the first frequency searched will be played automatically. A long press restores the manual search frequency.

⑩ **Volume adjustment key:** According to the instructions on the button, press the button to increase and reduce the volume.

⑪ **Reading light**

⑫ **Low beam**

⑬ **High beam**



⑭ **Solar charging panel:** Align the solar panel with sunlight and it will automatically charge the device. The orange indicator light on the display screen will be on when the solar panel is charging the device.

⑮ **Compass**

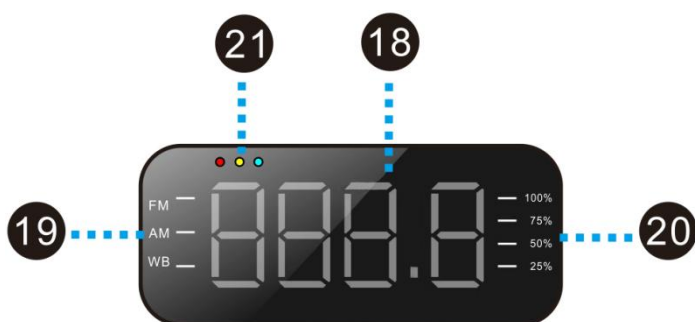
⑯ **Extendable solar panel:** Pull out the solar panel and align it with sunlight, and it will automatically charge the

device. The orange indicator light on the display screen will be on when the solar panel is charging the device. After use, press the solar panel back into the storage compartment.

17 Hand-crank generator: Turn the hand crank clockwise or counterclockwise to start the hand-crank generator and charge the device. The orange indicator light on the screen will be on when the device is being charged via the hand-crank generator. (When using for the first time or if the unit has been idle for more than 60 days, activate the internal battery by hand cranking for more than 1 minute.)

Note: It is recommended to use the hand-crank generator and solar charging in emergency situations. In non-emergency situations, it is recommended to charge the device via USB.

LED display function introduction:



18 Main screen: Display the frequency of the radio station.

19 Channel indicator press button **8** to select the channel to be listened to, the corresponding channel will have the indicator light on.

20 Power indicator: the radio has four cells of power display, the display grid light indicates that the power is within the range of the display grid, such as the last cell display light flashes, indicating that the battery is dead, please charge in time.

21 Working indicator: USB charging: red light is on and the power display light is pulsating. Charger output: red light on, power display light always on. Hand crank charging: Yellow light on. Solar charging: yellow light on. Switch FM/AM/WB channels, switch frequency and volume + - : blue light on. Turn on the flashlight or reading light: the power display light is always on.

Accessories:

Radio×1, Instruction Manual×1, USB Charging Cable×1

Quality Guarantee:

This product is made of high-quality materials and has been fully inspected before shipment. It comes with a 6-month quality guarantee. If there are any problems with the product, please contact the seller before writing the evaluation. We will provide you with satisfactory refund or replacement services.

You can contact our after-sales service through the following ways:

Whatsapp id: +86 18682332613

E-mail: ybsale2000@outlook.com

Product parameter:

Frequency range	FM:87.5- 107.9MHZ	LED Lighting Brightness	High beam:600LUX
	AM:530- 1710KHZ		Low beam:150LUX
	WB:162.400-162.550		Mixed beam:650LUX
Product Size	155.5*80*86mm	Function usage time after full charge	Radio: 108H
Weight	610g		Lighting: 36H
Battery capacity	12000mAh		Radio and low beam:11H
USB input	5V 3A	Solar power generation	5V 0.5W+0.25W
USB output	5V 3A	Manual power generation	5V 1.5W

Warning:

- Do not place this product near fire or in high-temperature containers to avoid fire or explosion.
- Our company reserves the right to modify and improve any product described in this document. We also reserve the right to update product content at any time. Please refer to the actual product for accuracy.

2. Maintenance and Cleaning

- Please do not use this product in high-humidity areas such as bathrooms.
- The waterproof rating of this product is IPX3, it can resist sweat and splash, please do not wash it with water.
- Do not wipe the surface with chemicals such as alcohol, diluent or benzene.
- Dirty sockets can cause poor contact, loss of power, and inability to charge. Please clean them regularly.
- Please use a qualified charger from a reputable brand.
- If there are quality problems, please contact the merchant and do not disassemble the product on your own.

Frequently asked questions and answers:

Q:If there is no automatic frequency search at the beginning, long press the switch frequency button is able to search all frequencies. But many of them are without signal, can only manually long press to switch until it switches to a frequency with signal?

A: Yes, there is no automatic search frequency. It can only be a manual search frequency until the frequency of switching to the signal. Therefore, it is recommended to turn on the automatic search frequency at the beginning of use.

Q: AM/FM/WB Press next frequency to display ERR flicker and cannot switch the frequency. What is the reason and how to solve it?

A: The ERR is an operation error, there is no automatic search frequency, and there is no storage frequency inside. Long press the AM/FM key search frequency to solve it.

Q: Is there a memory function?

A: There is a memory function. After booting, keep the last frequency before shutdown.

Q: Do I need to use FM/AM/WB to open a automatic search function separately for the first time? Do you still need to search automatically when you use it again?

A: Yes. When used for the first time, please adjust to FM channel and long press AM/FM button to search for FM frequency; adjust to AM channel and long press AM/FM button to search for AM frequency; adjust to the WB channel and long press the AM/FM button to search the NOAA frequency. When you use it again, you don't need to search the frequency automatically, and the radio has saved the frequency.

Q: Can I use the radio function when charging the mobile phone?

A: The radio can be listened to the radio when charging the mobile phone, but the charging will be disturbed and the signal will deteriorate.

Q: The compass is not pointing accurately.

A: Cause ①: The magnetic nature of the compass disappears. Generally, the magnetism can disappear after high temperature baking. Reason ②: The rotation axis of the compass has burrs, and it cannot be moved. The results of these two types are that the compass can not be moved.

Reason ③: If there is a magnetic field interference around, it will fail. The magnetic field includes some electrical appliances, or magnetic substances, and even the surrounding mine, which will cause failure. At this time, you can test whether the point is correct when you go to an empty place.

FCC Statement

This device complies with part 15 of the FCC Rules. Operation is subject to the following two conditions:

- (1) This device may not cause harmful interference, and
- (2) this device must accept any interference received, including interference that may cause undesired operation.

This equipment has been tested and found to comply with the limits for a Class B digital device, pursuant to part 15 of the FCC Rules.

These limits are designed to provide reasonable protection against harmful interference in a residential installation.

This equipment generates, uses and can radiate radio frequency energy and, if not installed and used in accordance with the instructions, may cause harmful interference to radio communications. However, there is no guarantee that interference will not occur in a particular installation.

If this equipment does cause harmful interference to radio or television reception, which can be determined by turning the equipment off and on, the user is encouraged to try to correct the interference by one or more of the following measures: Reorient or relocate the receiving antenna.

.Increase the separation between the equipment and receiver.

.Connect the equipment into an outlet on a circuit different from that to which the receiver is connected.

.Consult the dealer or an experienced radio/TV technician for help.

Caution: Any changes or modifications to this device not explicitly approved by manufacturer could void your authority to operate this equipment.

RF Exposure Information

The device was evaluated to meet general RF exposure requirements. This equipment should be installed and used with a minimum distance of 0 mm between the radiator and your body.