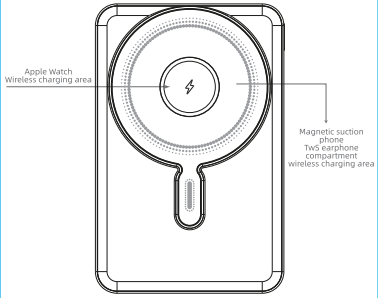
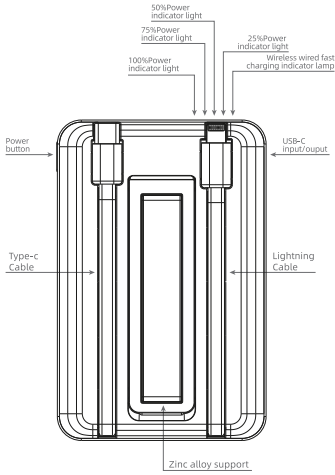


5in1

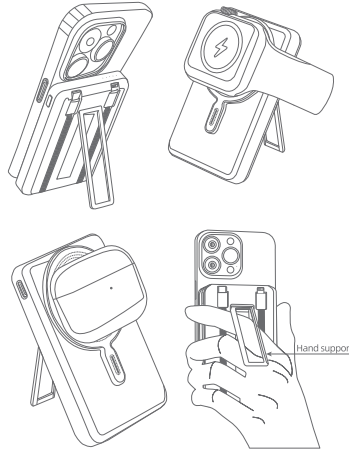
Magnetic suction charging bank operation instructions



RoHS CE FC X
 Before using this product, please read this guide to ensure using safely and properly.



Features: Compatible with magnetic phone, Apple watch, TWS earphone compartment for PD fast charging output, type-c port data cable for PD fast charging output



Parameters

Name: 5-in-1 magnetic wireless fast charge mobile power supply
 Capacity: 10000mAh
 Input: 5V-3A, 9V-2A(Type-C)
 Output: 5V-3A, 9V-2.22A, 12V-1.67A(Type-C)
 15W / 10W / 7.5W / 5W (Wireless)
 5V-3A, 9V-2.22A, 12V-1.67A(USB-C Cable)
 5V-2.4A(Lightning Cable)
 Watch 2.5W (Max)
 Total output: 5V-3A Max
 Size: 107*69.8*19.5mm
 Color: Black/white/Purple/gray
 Material: PC+ABS+ zinc alloy
 Product list: Mobile power supply x 1, manual x 1, data cable x 1

REMARK: When any two ports (including wireless charging) input/output at the same time, output Automatically turn off the fast charge mode (9V/12V) and enter the 5V voltage output mode (Wireless charge automatically switches to 5W)

Note: The USB-C port comes with a cable to support Apple 15 fast charging, provided that you plug it in first. Port C (fast charging light is green) does not activate the premise of wireless charging. If the simultaneous activation is 5w charging, the wireless charging light is blue.

Solution: You need to double click the button to turn off the wireless charge and insert the USB-C again (Fast charging with cable)

LED Status

Green long on: Type-C input/output fast charging
 USB-C Cable outputs fast charging
 Ice blue long light: 7.5W/10W/15W wireless fast charging
 Green/Ice blue Blinking: Wireless FOD foreign body detection
 Long white light: power indicator

Activation Function Description

- When the machine enters the standby state, press once (within 0.5 seconds) the power indicator light will display the current power 1, representing 25% of the power, and will enter the standby state again after the light is on for 30 seconds.
- When the mobile phone is charged to 0% of the mobile power supply, the mobile power supply will automatically shut down, and the LED display mode is off.
- Click the button: start the mobile power supply, turn off the light after the blue light flashes twice, keep the green light on for 3 seconds, keep the ice blue light on to start the wireless charging function;
- Double click the button to turn off the wireless charging function when the device is powered on. FOD foreign body detection
 Long white light: power indicator

Charging Function Instructions

- 1/2/3/4 LED light color is white.
- When charging to the power bank, the LED is flashed to display the, incremental battery capacity. Refer to the relationship between LED display and battery capacity.
- When all the 4 LED lights are on, the product is fully charged.
- The charging function is working properly when the charger output is 5V to 12V.

Description Function Instructions

- Press the power button once to start the mobile power supply. When the mobile phone is connected to the power supply, the corresponding LED lights will be on for a long time, and the number of lights will decrease as the power becomes lower.

When the battery voltage is lower than 3.1V, the last light flashes for low power alarm.

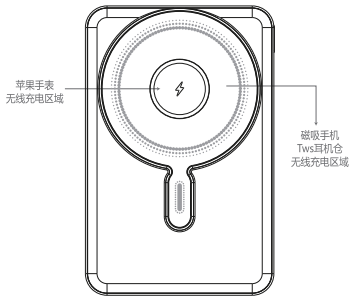
- When the battery voltage is below 3.0v When the voltage is 0.1V, the output will stop, and the LED light will go out after discharging. When you unplug the phone to interrupt charging, the indicator light will be on for 30 seconds, then it will go out and enter the standby mode. Press the power button to start the mobile power and the power indicator is on, then the wireless charging output can help the device with wireless charging.
- Foreign object detection: when a foreign object is found during wireless charging, the green light flashes and the charging is stopped. The metal foreign object needs to be removed before charging.

Safety information

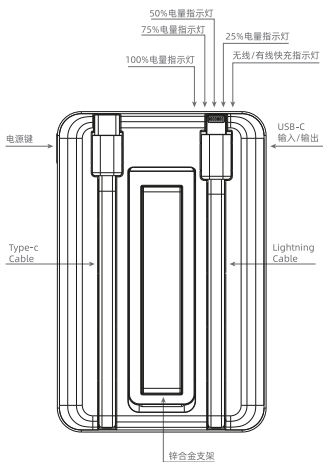
- Improper use may harm the battery and other parts;
- When using the power supply for the first time, the standard 5V-1A / 2A charger must be used to charge the power supply;
- Keep the power supply dry and ventilated;
- The power pack contains organic combustibles. If the power supply is not used correctly, it will break, leak, overheat and so on, which will permanently damage the battery. The power supply has built-in safety protection device;
- Do not collide or break, causing short circuit of power supply;
- Do not use the power near the fire or stove or the place with the temperature higher than 60°C. Because the high temperature will melt the plastic shell;
- If putting into water, the inside safety devices will be damaged and power bank stops working, or cause over-heating, fire even explosion;
- Don't extrude the power bank with heavy objects; Improper adapter may causing over-heating, burn, or explosion;
- Any hiddendanger, please stop using immediately;
- Before using wireless charging, please ensure that there is no metal foreign matter between the mobile phone (including the mobile phone protective case) and the wireless charging.

五合一磁吸充电宝

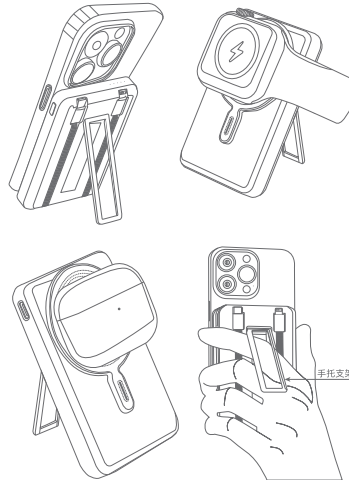
使用说明书



RoHS CE FC X
 使用前,请先阅读本指南,以确保安全和正确使用。



功能特点: 兼容磁吸手机、苹果手表、TWS耳机仓
 无线充电, type-c口数据线PD快充输出



产品参数

名称: 五合一磁吸无线快充移动电源
 容量: 10000mAh
 输入: 5V-3A, 9V-2A(Type-C)
 输出: 5V-3A, 9V-2.22A, 12V-1.67A(Type-C)
 15W/10W/7.5W/5W(Wireless)
 5V-3A, 9V-2.22A,
 12V-1.67A(USB-C Cable)
 5V-2.4A(Lightning Cable)
 Watch 2.5W (Max)
 总输出: 5V-3A Max
 尺寸: 107*69.8*19.5mm
 颜色: 黑色/白色/紫色/灰色
 产品材质: PC+ABS+锌合金
 产品清单: 移动电源 x 1, 说明书 x 1, 数据线 x 1

备注: 任意两个端口(含无线充)以上同时输入/输出时, 输出自动关闭快充模式(9V/12V)进入5V电压输出模式(无线充自动切换为5w)
注意: USB-C口自带线支持苹果15快速充电, 前提是先插C口(快充灯是绿色)不按键激活无线充的前提下。如果同时激活是5w充电, 无线充灯光是蓝色。
解决方案: (需要双击按键关闭无线充, 再次插入USB-C自带线实现快速充电)

指示灯状态显示

绿色长亮灯: Type-C 输入/输出快速充电
 USB-C Cable输出快速充电
 冰蓝色长亮灯: 7.5W/10W/15W 无线快速充电
 绿色/冰蓝色灯闪烁: 无线充FOD异物检测
 白色长亮灯: 电量指示灯

唤醒按键功能说明

- 当机器进入待机时按一次(0.5秒内)电量指示灯会显示当前电量1颗代表25%的电量, 灯亮30秒后会再次进入待机状态。
- 当对手机充至移动电源电量为0%时, 移动电源将进行自动关机, LED显示方式为关机。
- 单击按键: 启动移动电源, 蓝灯闪烁2次后熄灯, 绿灯长亮3秒, 冰蓝色长亮后启动无线充电功能;
- 双击按键: 在开机条件下, 关闭无线充电功能。

充电功能说明

- LED灯颜色1/2/3/4为白光
- 充电器插上后给电源充电时, LED按点闪速的方式显示电量。
- 参阅LED电量显示方式。
- 充满后4颗LED灯长亮, 则表示充满电。
- 充电器输出电压为5V~12V时才能正常给机器充电。

放电功能说明

- 按一下电源按钮, 启动移动电源连接手机充电时, 对应电量的LED灯长亮, 随着电量变低而亮灯数量减少。当电池电压低于3.1V时, 最后一颗灯闪烁为低电量报警。
- 当电池电压低于3.0~0.1V时会停止输出, 放完后LED灯熄灭。当拔掉手机中断充电时, 指示灯会长亮30秒后熄灭进入待机状态。按一下电源按钮, 启动移动电源且电量显示灯亮时, 无线充输出才可以帮有无线充的设备充电。
- 异物检测: 当无线充电时发现异物, 绿灯、冰蓝灯闪烁并停止充电, 需拿开金属异物才能充电。

安全信息

- 电源使用不当, 会损坏电池及使用该电源的设备;
- 在第一次使用电源时, 必须使用标准的5V-1A/2A的充电器给电源充电;
- 保持电源干燥通风;
- 该电源组内包含有机可燃物, 如果不正确使用电源, 会发生破裂, 漏液, 过热等, 使电池永久损坏。电源内置有安全保护装置;
- 不要碰撞、摔坏造成电源短路;
- 不要靠近有火或者火炉或者温度高于60°C的地方使用电源。因为高温会溶解塑胶壳;
- 如果把电源放置在水里面, 电源的安全保护参数及指标会损坏, 从而使该电源不能正常使用。从而使用电源会发生过热, 火灾及爆炸;
- 不能使用重物或者其他的物体挤压电源使其变形; 如果使用非标准的充电器, 或者修改指定的充电器参数, 会使电池发生过热, 燃烧和爆炸;
- 如果一旦发现电源存在安全隐患, 或者其它的问题, 要立即终止使用;
- 使用无线充电前, 请确保手机(含手机保护壳)与无线充之间没有金属异物。

This device complies with Part 15 of the FCC rules. Operation is subject to the following two conditions: 1) this device may not cause harmful interference, and 2) this device must accept any interference received, including interference that may cause undesired operation.

Note: This equipment has been tested and found to comply with the limits for a Class B digital device, pursuant to part 15 of the FCC Rules. These limits are designed to provide reasonable protection against harmful interference in a residential installation.

This equipment generates uses and can radiate radio frequency energy and, if not installed and used in accordance with the instructions, may cause harmful interference to radio communications. However, there is no guarantee that interference will not occur in particular installation. If this equipment does cause harmful interference to radio or television reception, which can be determined by turning the equipment off and on, the user is encouraged to try to correct the interference by one or more of the following measures:

- Reorient or relocate the receiving antenna.
- Increase the separation between the equipment and receiver.
- Connect the equipment into an outlet on a circuit different from that to which the receiver is connected.
- Consult the dealer or an experienced radio/TV technician for help.

Changes or modifications not expressly approved by the party responsible for compliance could void the user's authority to operate the equipment.

Radiation Exposure Statement

This device complies with FCC RF radiation exposure limits set forth for an uncontrolled environment.

The FCC certification of this device refers to RF exposure testing performed in typical operating conditions, where a person is no closer than 0 centimeters from the device surface at all times, except for non-repetitive patterns with transient time intervals in the order of a second. Only in the stated conditions, the device is shown to fully comply with the FCC RF Exposure requirements of KDB 447498.