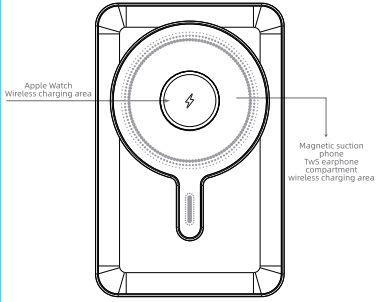


5in1

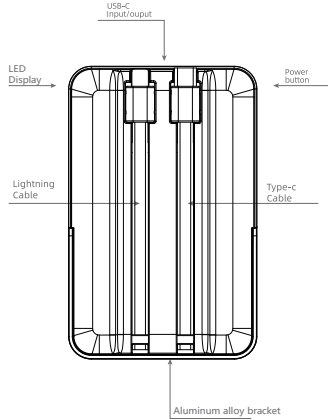
Digital Display Magnetic fast charging power bank



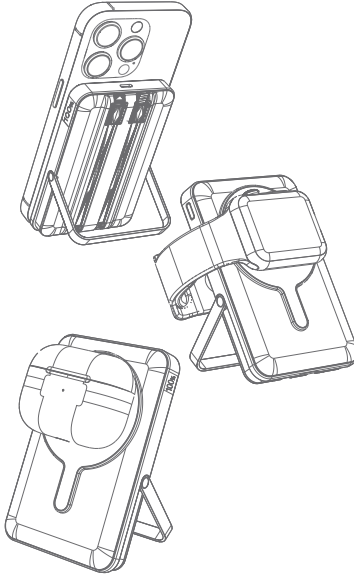
RoHS CE FC X 5

Made in China

Before using this product, please read this guide to ensure using safely and properly.



Features: Compatible with magnetic phone, Apple watch, TWS earphone compartment for wireless charging, type-c port data cable for PD fast charging output



Parameters

Name: 5in1 Digital Display Magnetic fast charging power bank
Capacity: 10000mAh
Input: Type-C: 5V-3A, 9V-2A, 12V-1.5A
Type-C Cable: 5V-3A, 9V-2A, 12V-1.5A
Output: Type-C: 5V-3A, 5V-4.5A, 9V-2.22A, 12V-1.67A
Type-C Cable: 5V-3A, 5V-4.5A; 9V-2.22A, 12V-1.67A
Lightning cable: 5V-2.4A
Wireless charging: 15W/10W/7.5W/5W
Watch wireless charging: 2.5W (max)
Total output: 5V-3A (max)
Size: Watch wireless charging: 2.5W (max)
Color: Black/white/Purple/gray
Material: PC+ABS+Aluminum alloy
Product list: Mobile power supply x 1, manual x 1, data cable x 1

REMARK: When any two ports (including wireless charging) input/output at the same time, the output automatically turns off the fast charging mode (9V/12V) and enters the 5V voltage output mode (wireless charging automatically switches to 5V)

Note: The built-in USB-C cable supports iPhone 15 fast charging. Be make sure that USB-C is plugged in firstly the green lightning charging symbol lights up, and wireless charging can be activated without pressing the button, the LED display will show a green lightning charging symbol, If the wireless charging is started at the same time.

Solution: (You need to double-click the button to turn off and then reinsert the USB-C cable to get fast charging)

LED Display status

The green lightning charging symbol lights up: Type-C input/output fast charging, USB-C Cable output fast charging
The green lightning charging symbol lights up: 5W/7.5W/10W/15W Wireless fast charging
LED Display: battery percentage

Activation Function Description

- When the power bank enters standby mode, press the power indicator light (within 0.5 seconds) to display the current battery percentage. After the light comes on for 30 seconds, it enters standby mode again.
- When the mobile phone is charged until the power bank reaches 0%, the power bank will automatically turn off and turn off the digital screen display.
- Click the button: start the power bank, the digital display shows the current battery percentage, the green lightning charging symbol lights up, and the wireless charging function is turned on.
- Double-click the button: Turn off the power bank

Charging Function Instructions

- The battery number on the digital display lights up
- When plugged into the charger and charging, the digital display shows the battery level in increments.
- When the battery is fully charged, the display shows 100%, indicating that it is fully charged.
- The machine can be charged normally only when the output voltage of the charger is 5V-12V.

Description Function Instructions

- Press the power button once to start the power bank and connect it to the mobile phone for charging. The corresponding light-up digital power level will decrease as the power level becomes lower.
- When the battery voltage is lower than 3.0±0.1V, the output will stop, and the display will turn off after the

battery is discharged. When the phone is unplugged to interrupt charging, the indicator light will stay on for 30 seconds and then go off and enter standby mode. Press the power button once, start the mobile power supply and the battery indicator light is on, the wireless charging output can charge devices with wireless charging.

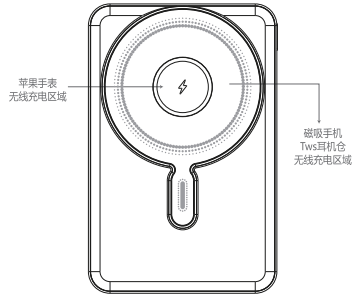
- Foreign object detection: When a foreign object is found during wireless charging, the mobile power supply will stop working after detecting the foreign object.

Safety information

- Improper use may harm the battery and other parts:
- When using the power supply for the first time, the standard 5V - 1A / 2A charger must be used to charge the power supply;
- Keep the power supply dry and ventilated;
- The power pack contains organic combustibles. If the power supply is not used correctly, it will break, leak, overheat and so on, which will permanently damage the battery. The power supply has built-in safety protection device;
- Do not collide or break, causing short circuit of power supply;
- Do not use the power near the fire or stove or the place with the temperature higher than 60°C. Because the high temperature will melt the plastic shell;
- If putting into water, the inside safety devices will be damaged and power bank stops working, or cause over-heating, fire even explosion;
- Don't extrude the power bank with heavy objects; Improper adapter may causing over-heating, burn, or explosion;
- Any hiding danger, please stop using immediately;
- Before using wireless charging, please ensure that there is no metal foreign matter between the mobile phone (including the mobile phone protective case) and the wireless charging.

五合一磁吸充电宝

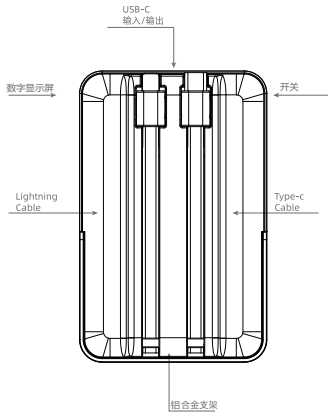
使用说明书



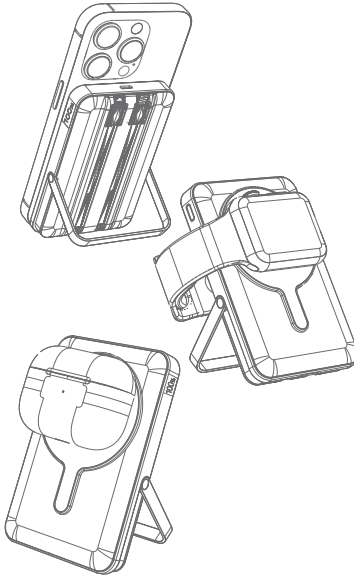
RoHS CE FC X 5

中国制造

使用前请仔细阅读本指南, 以确保安全和正确使用。



功能特点: 兼容磁吸手机、苹果手表、TWS耳机仓无线充电, type-c口数据线PD快充输出



产品参数

名称: 五合一数字显示屏磁吸移动电源
容量: 10000mAh
输入: Type-C口: 5V-3A, 9V-2A, 12V-1.5A
Type-C线: 5V-3A, 9V-2A, 12V-1.5A
输出: Type-C口: 5V-3A, 5V-4.5A; 9V-2.22A, 12V-1.67A
Type-C线: 5V-3A, 5V-4.5A; 9V-2.22A, 12V-1.67A
Lightning线: 5V-2.4A
无线充: 15W/10W/7.5W/5W
手表无线充: 2.5W(Max)
总输出: 5V-3A (Max)
尺寸: 110*70.7*20.4mm
颜色: 黑色/白色/紫色/灰色
产品材质: PC+ABS+铝合金
产品清单: 移动电源 x 1, 说明书 x 1, 数据线 x 1

备注: 任意两个端口(含无线充)以上同时输入/输出时, 输出自动关闭快充模式(9V/12V)进入5V电压输出模式(无线充自动切换为5V)
注意: USB-C口自带线支持苹果15快速充电, 前提是先插C口闪电磁吸标识亮灯) 不按键激活无线充的前提下, 如果同时激活是5W充电, 无线充灯光出现绿色闪电标识。

解决方案: (需要双击按键关闭无线充, 再次插入USB-C自带线实现快速充电)

显示屏状态显示

闪电磁吸标识亮灯: Type-C 输入/输出快速充电
USB-C Cable输出快速充电
闪电磁吸标识亮灯: 5W/7.5W/10W/15W 无线快速充电
数字屏长亮灯: 电量百分比

唤醒按键功能说明

- 当机器进入待机时按一次 (0.5秒内) 电量指示灯会显示当前百分比的电量, 灯亮30秒后会再次进入待机状态。
- 当对手机充至移动电源电量为0%时, 移动电源将会进行自动关机, 数字屏显示方式为关机。
- 单击按键: 启动移动电源, 数字显示屏显示当前百分比电量绿色闪电磁吸标识亮起, 开启无线充电功能。
- 双击按键: 在开机条件下, 关闭无线充功能。

充电功能说明

- 数字显示屏电量数字为白光
- 充电器插上后给电源充电时, 数字显示屏按递增的方式显示电量。
- 参阅数字显示屏电量显示方式。
- 充满后显示屏显示为100%, 则表示充满电。
- 充电器输出电压为5V~12V时才能正常给机器充电。

放电功能说明

- 按一下电源按钮, 启动移动电源连接手机充电时, 对应亮灯数字电量, 随着电量降低而亮灯数字减少。
- 当电池电压低于3.0±0.1V时会停止输出, 放电完后显示屏熄灭。当拔掉手机中断充电时, 指示灯会长亮30秒后熄灭进入待机状态。按一下电源按钮, 启动移动电源且电量显示灯亮时, 无线充输出才可以带有无线充的设备充电。
- 异物检测: 当无线充电时发现异物, 移动电源会在检测到异物后停止工作

安全信息

- 电源使用不当, 会损坏电池及使用该电源的设备;
- 在第一次使用电源时, 必须使用标准的5V-1A/2A的充电器给电源充电;
- 保持电源干燥通风;
- 该电源组内包含有机可燃物, 如果不正确使用电源, 会发生破裂, 漏液, 过热等, 使电池永久地损坏。电源内置有安全保护装置;
- 不要碰撞、摔坏造成电源短路;
- 不要靠近有火或者火炉或者温度高于60°C的地方使用电源。因为高温会溶解塑胶壳;
- 如果把电源放置在水里面, 电源的安全保护参数及指标会损坏, 从而使该电源不能正常使用。从而使用电源会发生过热, 火灾及爆炸;
- 不能使用重物或者其他的物体挤压电源使其变形; 如果使用非标准的充电器, 或者修改指定的充电器参数, 会使电池发生过热, 燃烧和爆炸;
- 如果一旦发现电源存在安全隐患, 或者其它的问题, 要立即终止使用;
- 使用无线充电前, 请确保手机(含手机保护壳)与无线充之间没有金属异物。

This device complies with Part 15 of the FCC rules. Operation is subject to the following two conditions: 1) this device may not cause harmful interference, and 2) this device must accept any interference received, including interference that may cause undesired operation.

Note: This equipment has been tested and found to comply with the limits for a Class B digital device, pursuant to part 15 of the FCC Rules. These limits are designed to provide reasonable protection against harmful interference in a residential installation.

This equipment generates uses and can radiate radio frequency energy and, if not installed and used in accordance with the instructions, may cause harmful interference to radio communications. However, there is no guarantee that interference will not occur in particular installation. If this equipment does cause harmful interference to radio or television reception, which can be determined by turning the equipment off and on, the user is encouraged to try to correct the interference by one or more of the following measures:

- Reorient or relocate the receiving antenna.
- Increase the separation between the equipment and receiver.
- Connect the equipment into an outlet on a circuit different from that to which the receiver is connected.
- Consult the dealer or an experienced radio/TV technician for help.

Changes or modifications not expressly approved by the party responsible for compliance could void the user's authority to operate the equipment.

Radiation Exposure Statement

This device complies with FCC RF radiation exposure limits set forth for an uncontrolled environment.

The FCC certification of this device refers to RF exposure testing performed in typical operating conditions, where a person is no closer than 0 centimeters from the device surface at all times, except for non-repetitive patterns with transient time intervals in the order of a second. Only in the stated conditions, the device is shown to fully comply with the FCC RF Exposure requirements of KDB 447498.