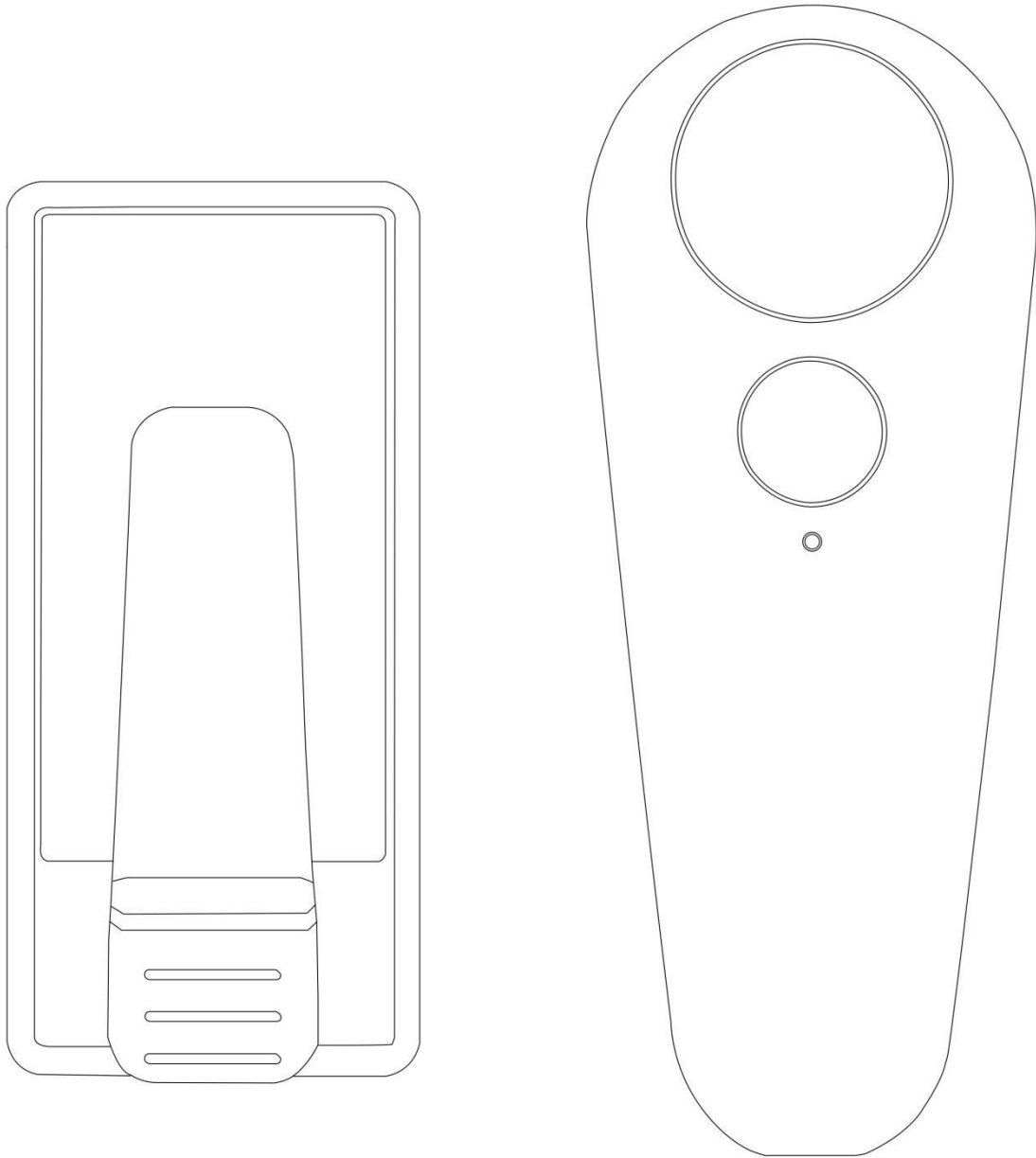


USER MANUAL

REMOTE CONTROL PAGE TURNER



New ways of reading change your life!

PRODUCT DESCRIPTION:

This product is suitable for all kinds of screen e-readers, tablets and mobile phones. It is mainly used for e- books page turning.

PRODUCT FEATURES:

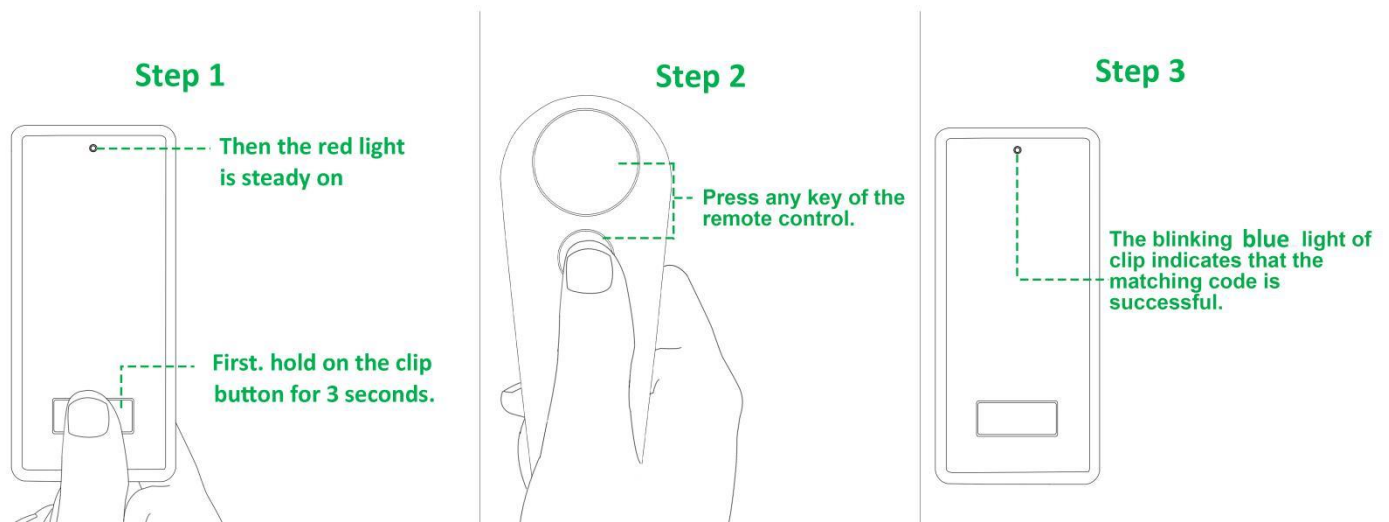
1. Using RF wireless signals. Remote signal can reach all directions and any position.
2. Built-in battery can be recharged for use.
3. Built-in Intelligent hibernation system to ensure long standby time.
4. Usage time 48 hours. (If you read for 3 hours a day, the will last 15 days on a single charge.)
- 5.The product is compact and highly practical.

HOW TO USE:

Step 1 : First. hold on the clip button for 3 seconds. Then the red light is steady on.

Step 2 : Press any key of the remote control.

Step 3 : The blinking blue light of clip indicates that the matching code is successful.



When the remote control has no operation within 8 minutes, the clip will automatically enter the hibernation energy saving standby mode.

Clip built-in intelligent sleep system, please press the button to activate before each use.

Next, clip the clip to the edge of the screen reading area to use.

PRODUCT COMPONENTS:

1. Remote control X1
2. Clip the X1
3. Type-c charging cable X2

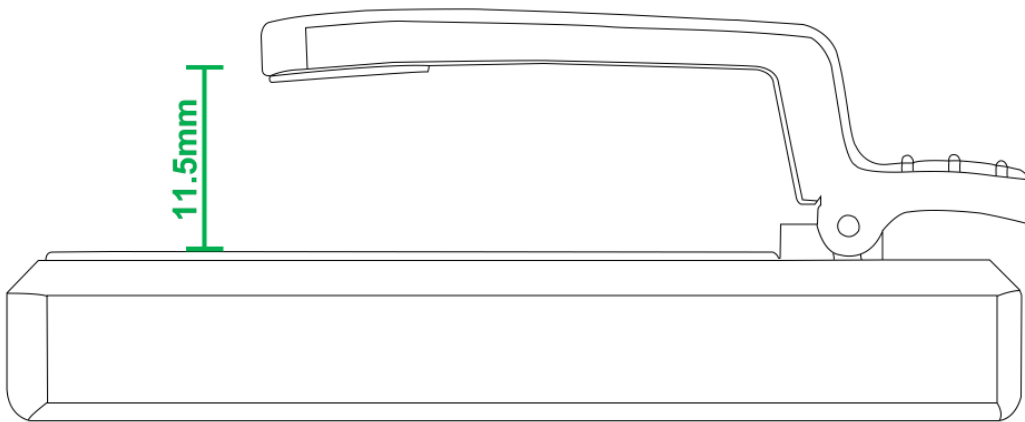
WARNING:

1. After long- term storage, please charge the product before using it.
2. Non-waterproof, please don't use in extremely cold, hot, humid environment.
3. Do not use the clip roughly to avoid breaking them.

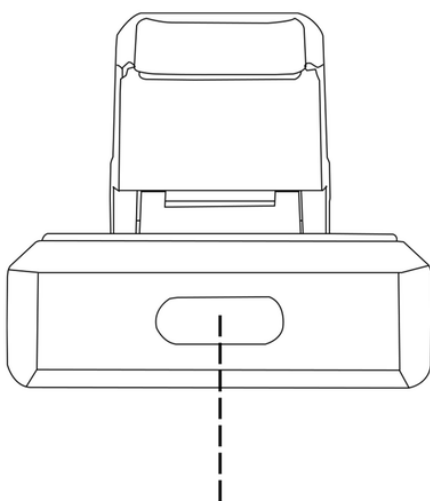
IMPORTANT TIPS:

1. The two buttons of remote all be forward function, no backward function.
2. The total thickness of e-reader and cover can't exceed 11.5mm; otherwise,remove the case to using.

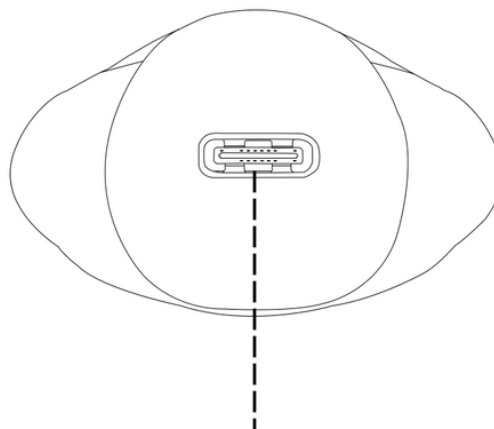
Can't exceed 11.5mm



3. When pressing the remote or clip key, led no light, or red light is flashing,please charge it up before using it.
- 4.Input voltage is USB 5.0V. Phone chargers can be used. (Indicator light flashes red when charging and goes out when fully charged.)



Type-C charging port



Type-C charging port

5. Keep the clip trigger point clean.
6. Ensure the clip trigger point is close to the screen during using.

7. In the case of all green lights, please re-match the signal if the remote control cannot control the clip.

8. Please try the following operations when the e-reader can't turning pages

1>Try more position and direction on the screen to find a suitable point to trigger.

2>Clip the active clip to the screen. off the e-reader screen and on it again.

3>Clip the clip to a certain number of the mobile calculator APP to test

whether it works or not. If not, please send a message to contact us ;

1 YEAR WARRANTY:

We provide you with 1 year warranty and permanent US technical support. This means that if anything goes wrong with the unit (other than accident damage) within the first year of ownership, we will replace the unit for free, 100% at our cost.

When you encounter any problems in the process of use, please contact us by sending a message at Amazon. We will give you a quick and satisfactory reply.

FCC Statement

This equipment has been tested and found to comply with the limits for a Class B digital device, pursuant to part 15 of the FCC Rules. These limits are designed to provide reasonable protection against harmful interference in a residential installation. This equipment generates, uses and can radiate radio frequency energy and, if not installed and used in accordance with the instructions, may cause harmful interference to radio communications. However, there is no guarantee that interference will not occur in a particular installation. If this equipment does cause harmful interference to radio or television reception, which can be determined by turning the equipment off and on, the user is encouraged to try to correct the interference by one or more of the following measures:

- Reorient or relocate the receiving antenna.
- Increase the separation between the equipment and receiver.
- Connect the equipment into an outlet on a circuit different from that to which the receiver is connected.
- Consult the dealer or an experienced radio/TV technician for help.

Caution: Any changes or modifications to this device not explicitly approved by manufacturer could void your authority to operate this equipment.

This device complies with part 15 of the FCC Rules. Operation is subject to the following two conditions: (1) This device may not cause harmful interference, and (2) this device must accept any interference received, including interference that may cause undesired operation.

Portable

RF Exposure Information

The device has been evaluated to meet general RF exposure requirement. The device can be used in portable exposure condition without restriction.