

ANWEI communication Equipment Co.,Ltd

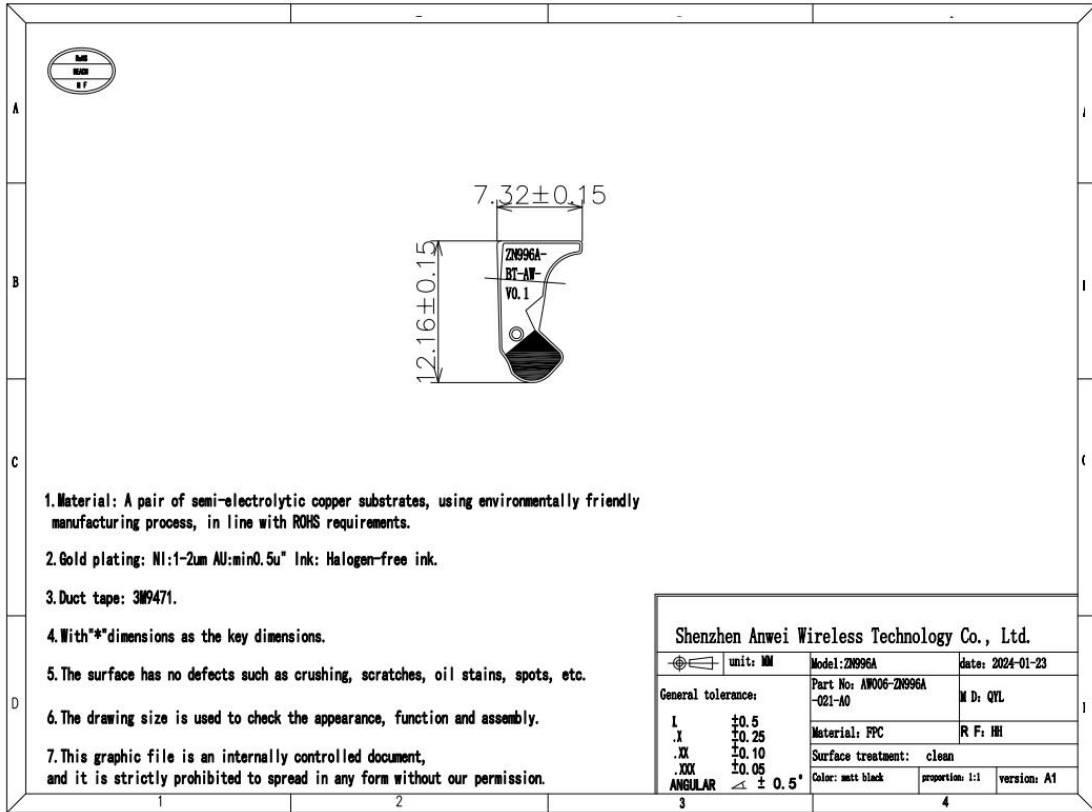
APPROVAL SHEET

Customer		Specs	T60
Part Number	AW006-ZN996A-021-A0	Frequency Band	2.4G BT
Color	Black	Edition	REV:A0
Salesperson		Design	
Structure		Confirm	
Date		Signing Date	

Customer confirmation:

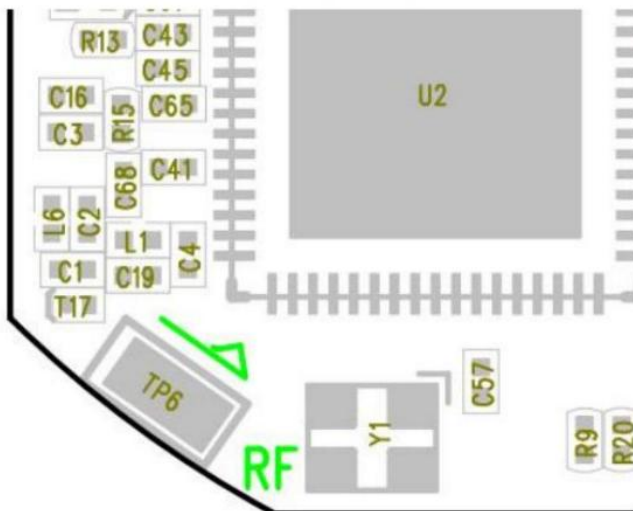
ANT Manufacturers: ANWEI communication Equipment Co.,Ltd
Address:2nd Floor, East Block, Building 5, Yifenghua Innovation Industrial Park, Huaning Road, Dalang Street, Longhua District, Shenzhen City, Guangdong Province

(BT antenna) + (2.4G/BT antenna)



(Working frequency band of 5GWIFI antenna) : 2400~2500,5150MHZ~5850MHZ

(Matcheing network)

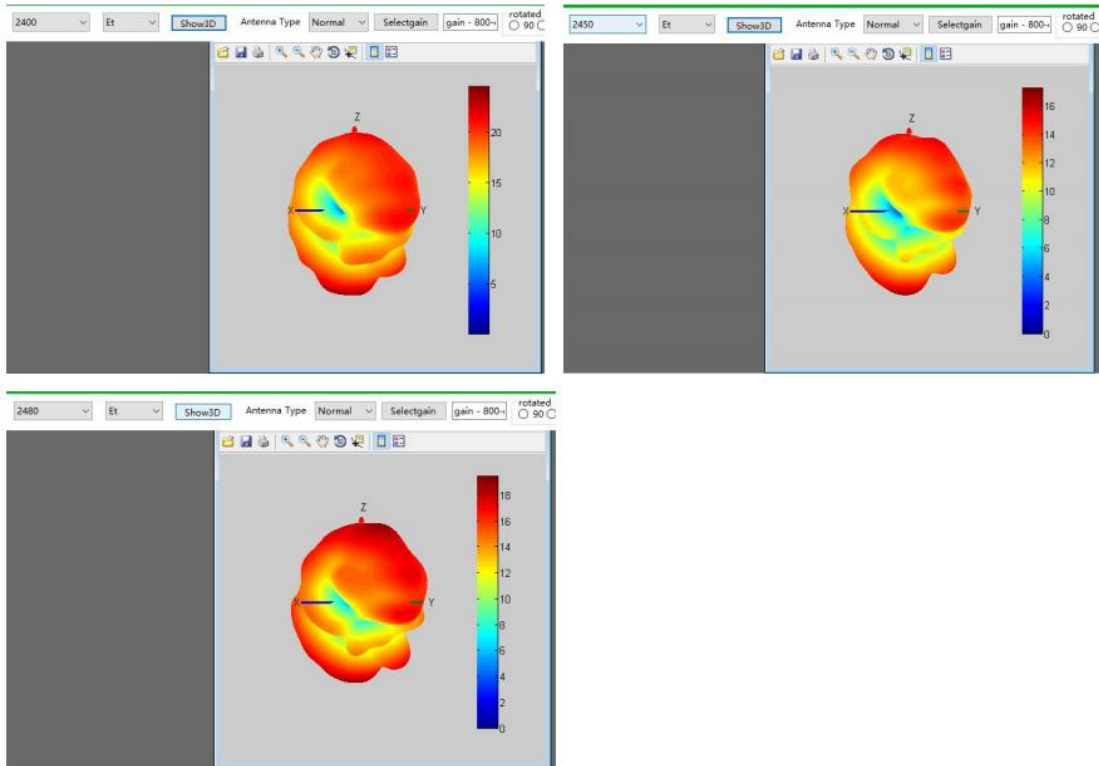


共用 ZN997匹配
 T17 1.5NH
 C1 0欧姆
 C19 NC
 其它保持主板原有不变

(Antenna gain & Gain&Efficiency)

Gain&Efficiency 增益和效率			
frequency 频率 (MHz)	gain 增益 (dBi)	efficiency 效率 (dBi)	efficiency 效率 (%)
2400	-4.01	-9.9	10.23
2410	-4.4	-9.94	10.14
2420	-3.68	-9.35	11.60
2430	-4.61	-9.95	10.12
2440	-5.04	-10.05	9.88
2450	-5.15	-10.4	9.12
2460	-5.04	-10.2	9.55
2470	-6.08	-10.8	8.32
2480	-6.99	-11.02	8.15

BT antenna 3D



BT antenna 2D

