

ANWEI communication Equipment Co.,Ltd

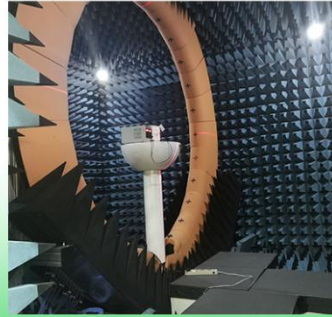
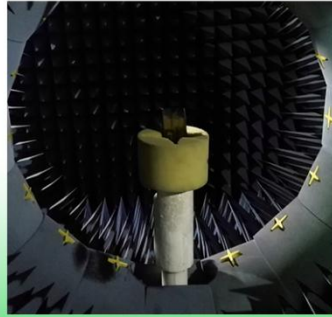
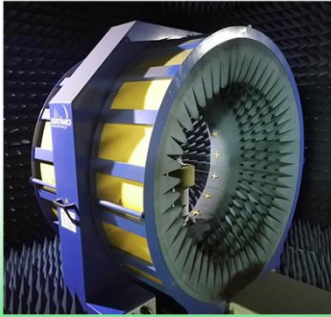
APPROVAL SHEET

Customer		Specs	ZN993A
Part Number	AW006-ZN993A-021-A0	Frequency Band	2400~2500MHZ
Color	Black	Edition	REV:A0
Salesperson	Mr.Xie	Design	Zhong Zhi Hui
Structure	QIN YUN LIN	Confirm	
Date	2024/1/30	Signing Date	

Customer confirmation:

ANT Manufacturers: ANWEI communication Equipment Co.,Ltd
Address:2nd Floor, East Block, Building 5, Yifenghua Innovation Industrial Park, Huaning Road, Dalang Street, Longhua District, Shenzhen City, Guangdong Province

Project development environment



安威无线一直都是您值得信赖且优秀的合作伙伴，我们为您提供全方位一站式的的产品以及技术服务！

“质量第一，服务至上”是安威一直以来的发展宗旨

(BT antenna) + (2.4G/BT antenna)

1. Material: A pair of semi-electrolytic copper substrates, using environmentally friendly manufacturing process, in line with ROHS requirements.

2. Gold plating: Ni:1-2um Au:min0.5u" Ink: Halogen-free ink.

3. Duct tape: 3M9471.

4. With**dimensions as the key dimensions.

5. The surface has no defects such as crushing, scratches, oil stains, spots, etc.

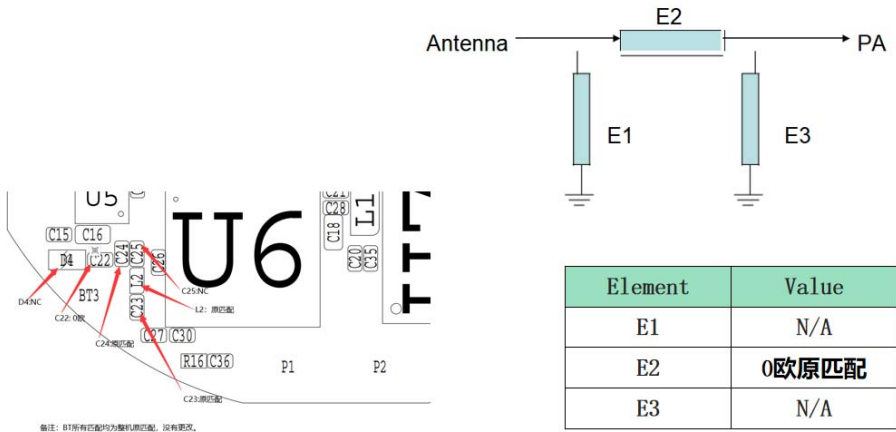
6. The drawing size is used to check the appearance, function and assembly.

7. This graphic file is an internally controlled document, and it is strictly prohibited to spread in any form without our permission.

Shenzhen Anwei Wireless Technology Co., Ltd.			
unit: MM	Model: ZH93A	date: 2024-01-18	
General tolerance:	Part No: AW006-ZH93A-021-M0	M D: QTL	
I ±0.5	Material: FPC	R F: ZZH	
.I ±0.25	Surface treatment: clean		
.XX ±0.10	Color: mit black	proportion: 1:1	version: A1
.XXX ±0.05			
ANGULAR $\leq \pm 0.5^\circ$			

(Working frequency band of 5GWIFI antenna) : 2400~2500,5150MHZ~5850MHZ

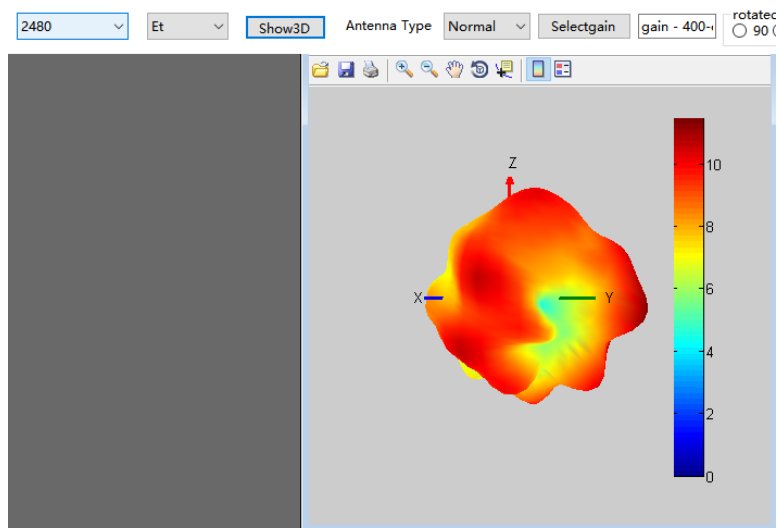
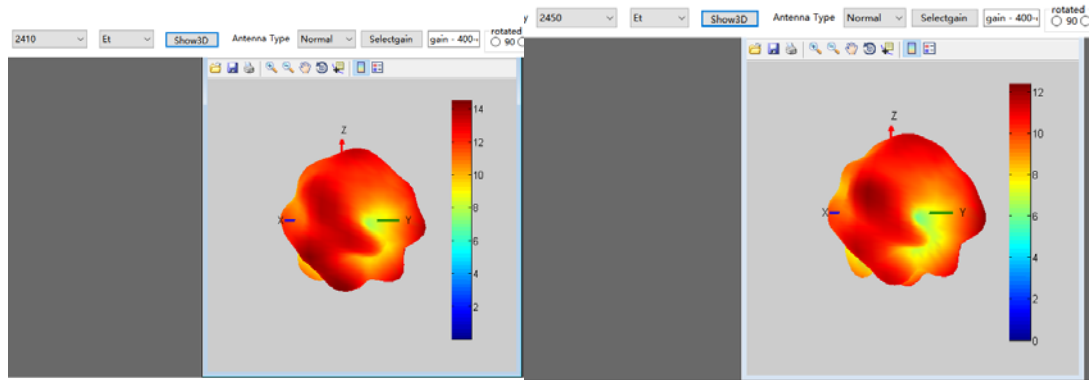
(Matcheing network)



(Antenna gain & Gain&Efficiency)

Gain&Efficiency 增益和效率				
frequency 频率(MHz)	gain 增益(dBi)	mingain 最小增益	efficiency 效率(dBi)	efficiency 效率(%)
2400	-4.49	-19.65	-8.87	12.98
2410	-4.89	-19.42	-8.84	13.08
2420	-4.91	-18.86	-8.6	13.80
2430	-5.11	-17.95	-8.63	13.70
2440	-4.98	-17.5	-8.68	13.57
2450	-4.77	-17.18	-8.5	14.13
2460	-4.95	-16.65	-8.6	13.80
2470	-4.82	-16.24	-8.72	13.44
2480	-4.33	-15.8	-8.37	14.55

BT antenna 3D



BT antenna 2D

