



Shenzhen Yingfeng Antenna Technology Co., Ltd.

# PCB Antenna Test Report

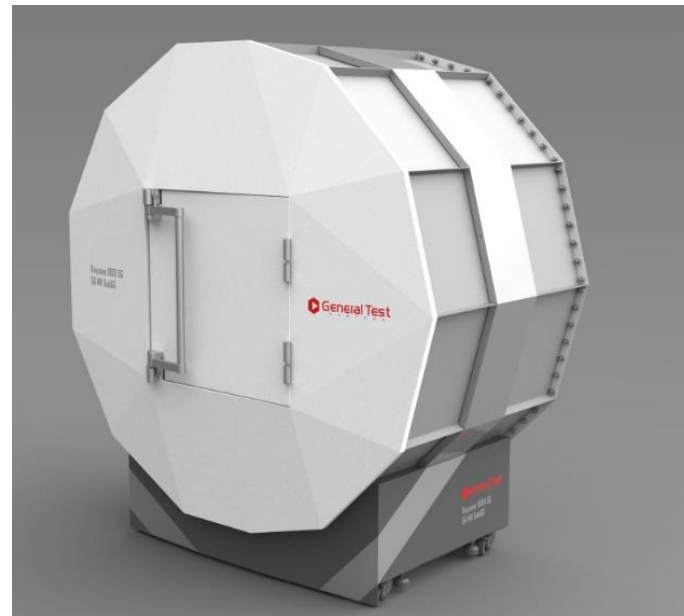
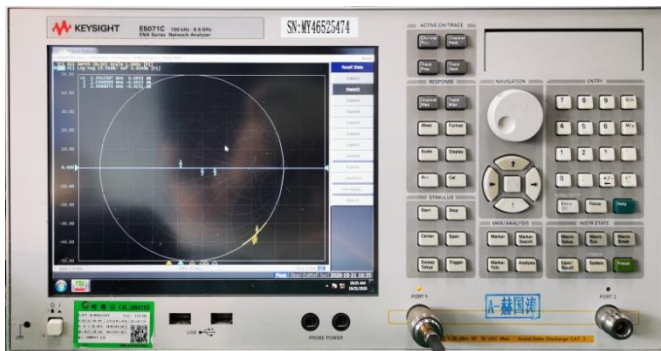


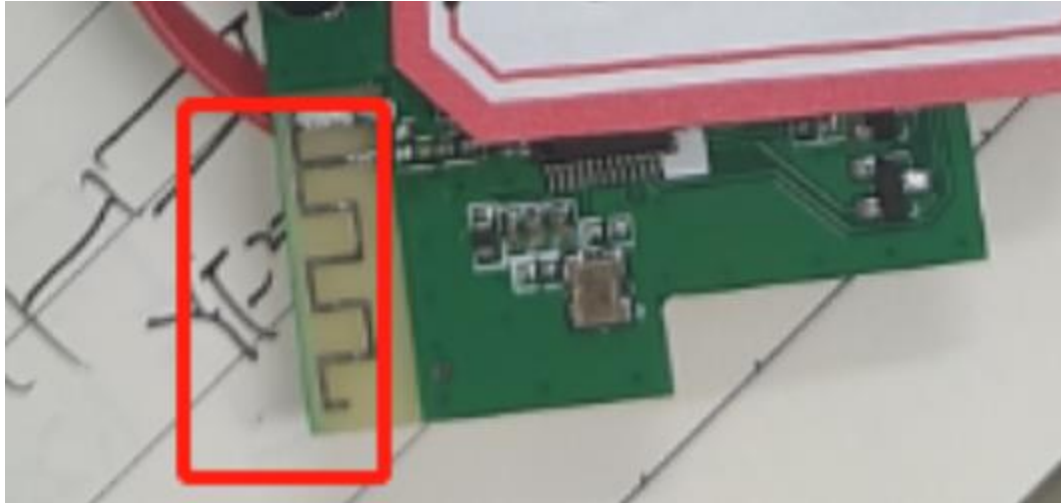
## 报告目录

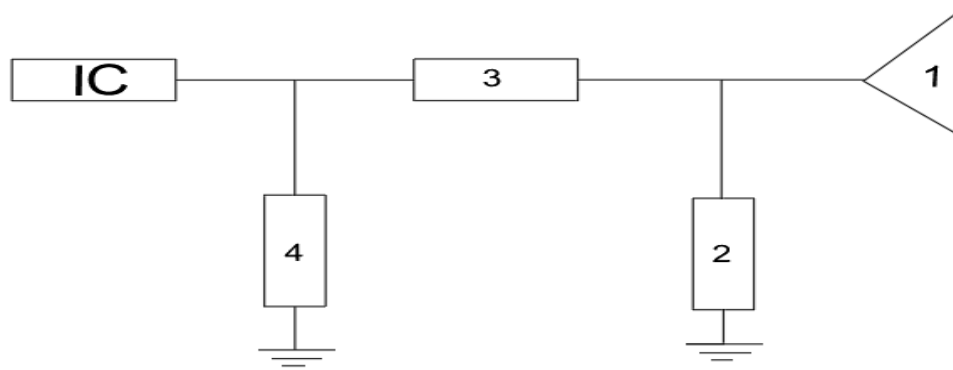
- Test equipment
- Prototype appearance
- Matching parameter
- Network debugging antenna S parameters



# Test equipment



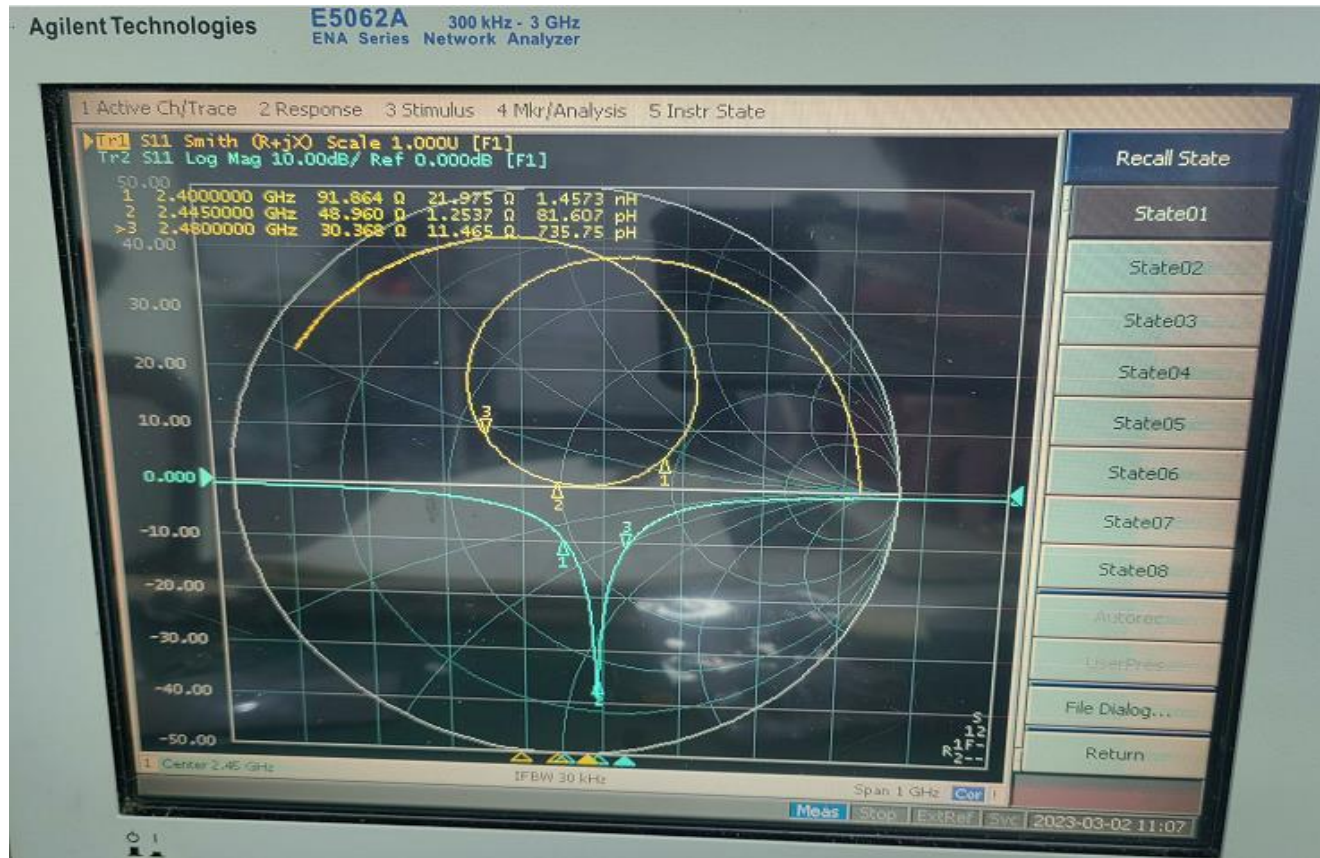


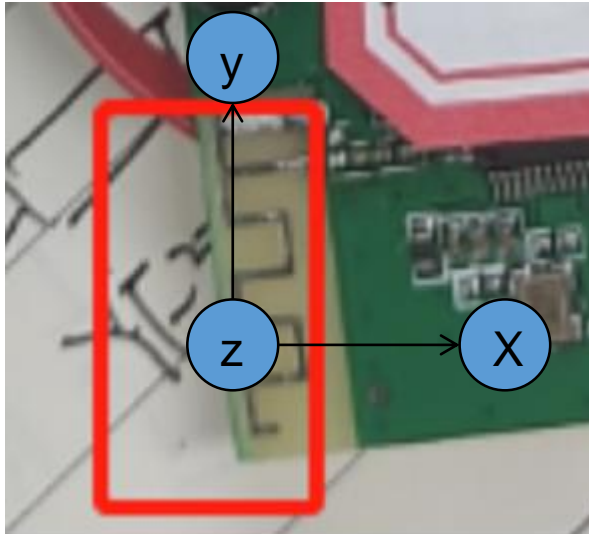


Item	Model	specification	manufacturer	(P/N)	allowance	
1	PCB Antenna					
2	NC					
3	inductance	3.9NH/0402			$\pm 0.1\text{NH}$	
4	NC					



# Network debugging antenna S parameters





evaluate		check
10%	L	<input type="checkbox"/>
20%	M	<input type="checkbox"/>
30%	H	<input checked="" type="checkbox"/>

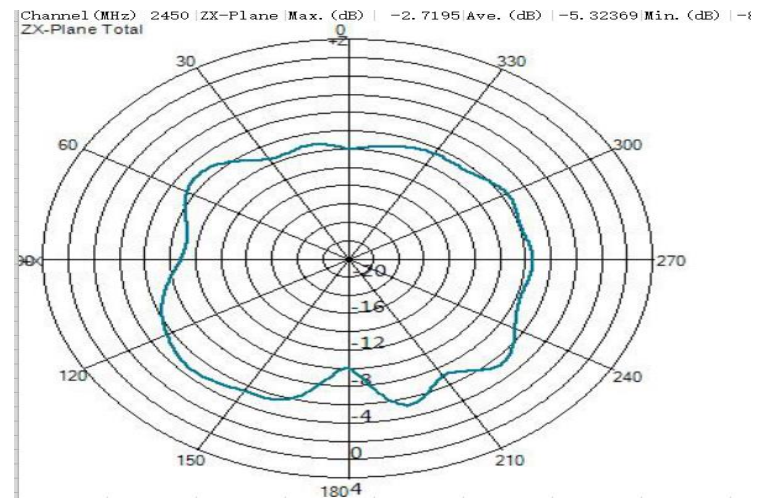
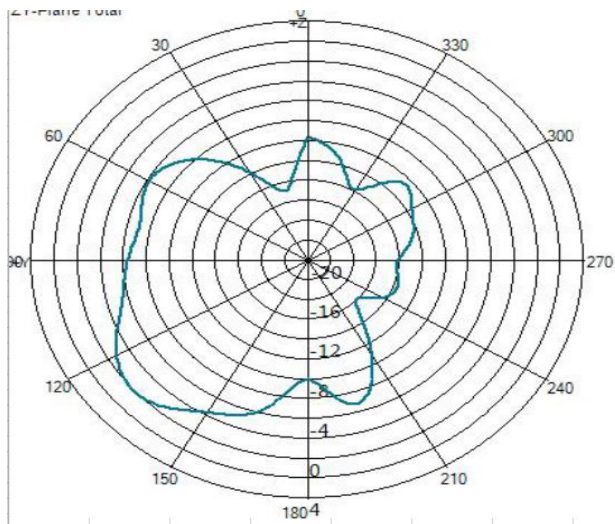
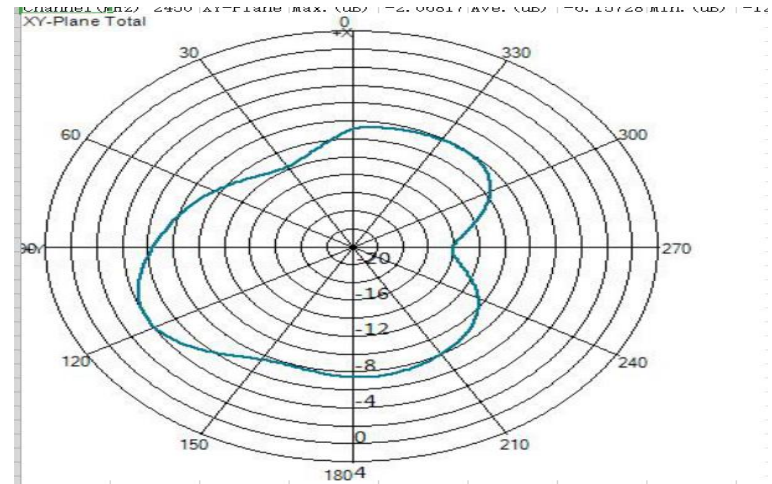
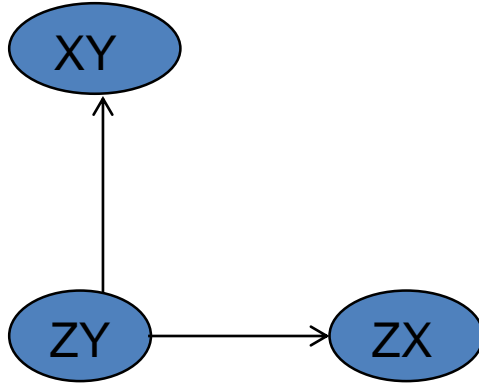


Freq(MHz)	Gain(dB)	Efficiency(dB)	Efficiency(%)
2400	1.56985586	-5.440514066	32.69596188
2410	1.332145308	-5.311962626	33.37780531
2420	1.515501026	-5.242816727	33.75299226
2430	1.345455864	-4.923111279	35.56753576
2440	1.183066296	-5.708818618	36.86075021
2450	1.102098419	-4.593353974	37.58446737
2460	1.420969951	-4.610935811	37.47302105
2470	1.424651063	-4.592631435	37.589057
2480	0.527103736	-4.643575154	37.26732186
2490	1.122804557	-4.758739364	36.55376232
2500	0.181447408	-5.112322643	34.47753813



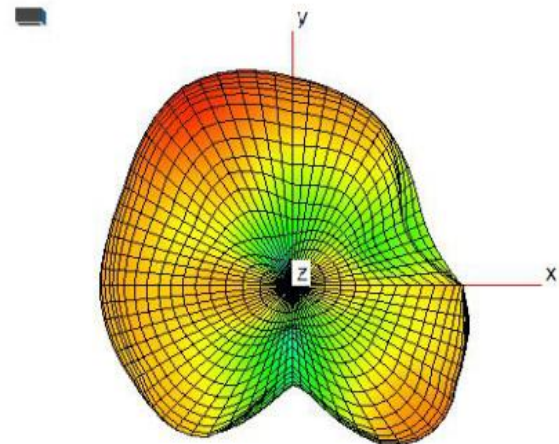
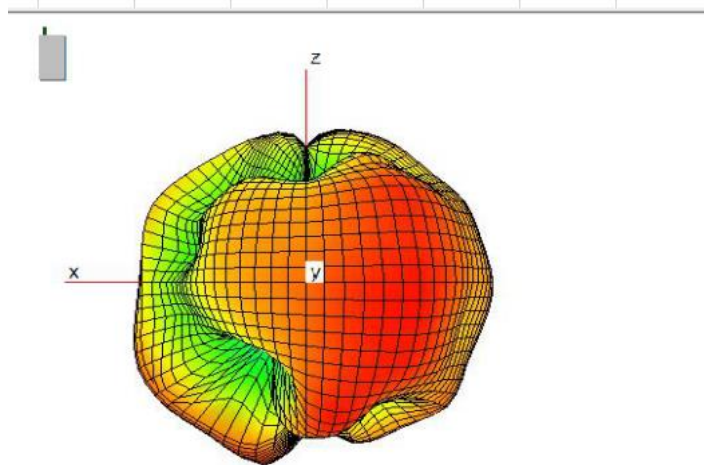
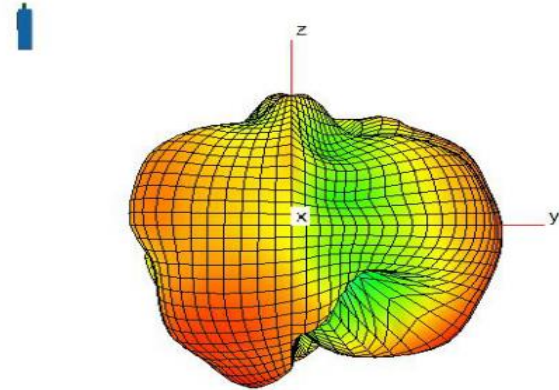
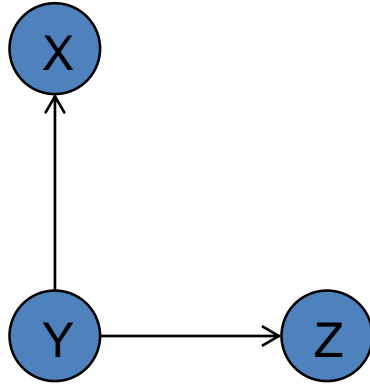


# 2D





# 3D





## Specification

Frequency Range	2400 – 2500MHz
Type of Antenna Directivity	PCB Printed Antenna
Directivity	Omnidirection
Polarization	Vertical
Gain	1.5dBi
Attachment Type	Internal mounted
Manufacture	Shenzhen Yingfeng Antenna Technology Co., Ltd.
Model	SAMPLE
Test Lab.	Shenzhen Yingfeng Antenna Technology Co., Ltd.



Shenzhen Yingfeng Antenna Technology Co., Ltd.

*Thanks for Your Attention*

Shenzhen Yingfeng Antenna Technology Co., Ltd.

7-8th Floor, Qihangtengshi Wisdom-creative Park, Matian, Guangming District, Shenzhen, China